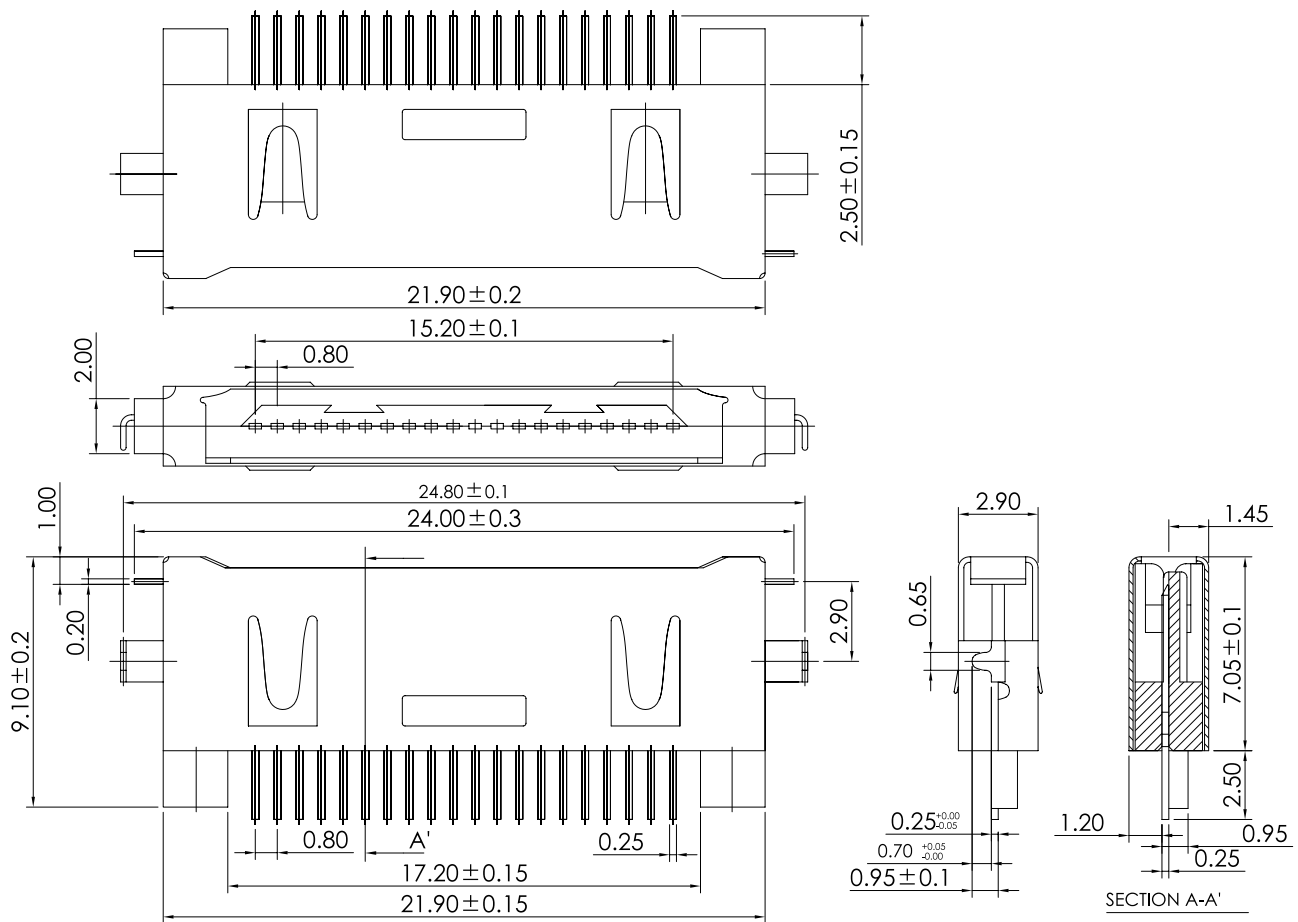


## 800221MB Series

### Specifications:

- **Insulator Material** : Black High Temp. Plastic
- **Operating Type Range** : -40°C TO +105°C
- **Terminal Material** : Phosphor Bronze
- **Platings** : Gold Plate
- **Max. Current Rating** : 0.5A
- **Max. Voltage Rating** : 100V AC
- **Dielectric Strength** : 500V (Min. 60 Seconds)



## Order Information

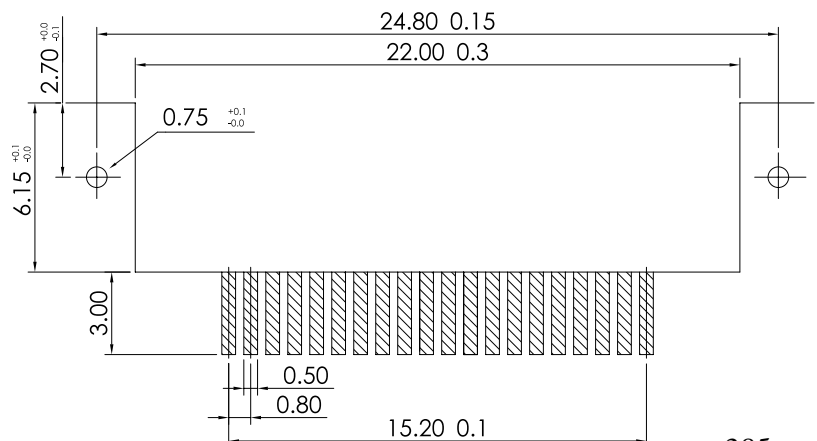
800221MB020□□01ZU  
 1 2 3 4 5

1. 'B' : Right Angle SMT Type
2. No. of pins.
3. Plating
4. Color 'Z' : Black
5. Package

'U' : Tube Package Without Cap

Reference Page 11

## Recommended P.C.B Layout



Mobile

I/O