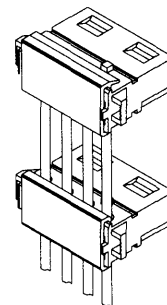




5.08mm (.200") Pitch Disk Drive Power Connection System Connector

70156 Female IDT



FEATURES AND SPECIFICATIONS

Features and Benefits

- Wire-to-wire and wire-to-board insulation displacement
- End grips for easy unmating
- Housing detent provides positive retention to mating connector
- Locking IDT wire strain relief cover
- IDT equivalent to 8981-4P

Reference Information

Product Specification: PS-70156
 Packaging: Bulk
 UL File No.: E29179
 CSA File No.: LR19980
 Mates With: 8981 style disk drive power headers and 71156 male IDT connector
 Designed In: Inches

Electrical

Voltage: 250V
 Current:

AWG	16	18	20	22
Amperes	8.0	8.0	6.5	6.0

Contact Resistance: 20mΩ max.
 Dielectric Withstanding Voltage: 1500V AC
 Insulation Resistance: 5000 MΩ min.

Mechanical

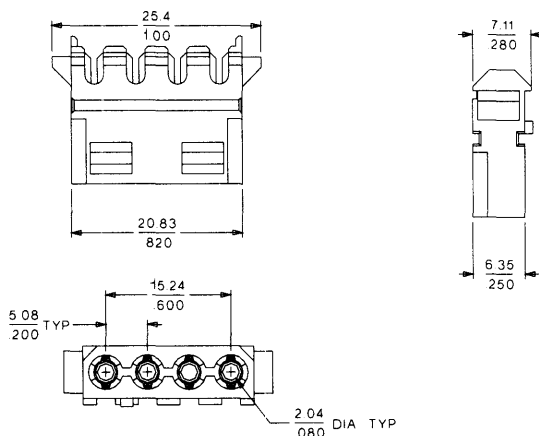
Contact Retention to Housing: 44.5N (10.0 lb) min.
 Mating Force: 17.8N (4.0 lb) max.
 Unmating Force: 6.7N (1.5 lb) min.

Physical

Housing: White thermoplastic, UL 94V-0
 Natural thermoplastic, UL 94V-2
 Contact: Phosphor Bronze
 Plating: Tin
 Operating Temperature: -40 to +85°C



CATALOG DRAWING (FOR REFERENCE ONLY)



ORDERING INFORMATION

Connectors Only, 94V-0		
Order No.	Wire Type	Color Code
• 15-24-3053	16 AWG stranded	Yellow
• 15-24-3050	18 AWG stranded 20 AWG solid and fused	Red
• 15-24-3051	20 AWG stranded	Blue
• 15-24-3052	22 AWG solid, fused and stranded	Black

Connectors Only, 94V-2		
Order No.	Wire Type	Color Code
• 15-24-3000	16 AWG stranded	Yellow
• 15-24-2000	18 AWG stranded 20 AWG solid and fused	Red
• 15-24-2001	20 AWG stranded	Blue
• 15-24-2002	22 AWG solid, fused and stranded	Black

Strain Relief Covers Only (Black)	
Feed-Through	Feed-To
• 15-05-7011	• 15-05-7012

• US Standard Product, available through Molex franchised distributors
 Note: Covers must be used with connectors to retain wires

Kit with Connector and Wire Strain Relief, 94V-0			
Order No.	Cover Type	Wire Type	Color Code
• 15-24-3030	Feed-Through	16 AWG stranded	Yellow
• 15-24-3031	Feed-To	16 AWG stranded	Yellow
• 15-24-3032	Feed-Through	18 AWG stranded 20 AWG solid and fused	Red
• 15-24-3033	Feed-To	18 AWG stranded 20 AWG solid and fused	Red
• 15-24-3034	Feed-Through	20 AWG stranded	Blue
• 15-24-3035	Feed-To	20 AWG stranded	Blue
• 15-24-3036	Feed-Through	22 AWG solid, fused and stranded	Black
• 15-24-3037	Feed-To	22 AWG solid, fused and stranded	Black

Kit with Connector and Wire Strain Relief, 94V-2			
Order No.	Cover Type	Wire Type	Color Code
• 15-24-3001	Feed-Through	16 AWG stranded	Yellow
• 15-24-3002	Feed-To	16 AWG stranded	Yellow
• 15-24-2003	Feed-Through	18 AWG stranded 20 AWG solid and fused	Red
• 15-24-2004	Feed-To	18 AWG stranded 20 AWG solid and fused	Red
• 15-24-2005	Feed-Through	20 AWG stranded	Blue
• 15-24-2006	Feed-To	20 AWG stranded	Blue
• 15-24-2007	Feed-Through	22 AWG solid, fused and stranded	Black
• 15-24-2008	Feed-To	22 AWG solid, fused and stranded	Black