

**TOSHIBA**

TOSHIBA Original CMOS 4-Bit Microcontroller

**TLCS-47 Series**

TMP47C101PG

TMP47C201PG

TMP47C101MG

TMP47C201MG

Not Recommended  
for New Design

**TOSHIBA CORPORATION**

Semiconductor Company

## Document Change Notification

The purpose of this notification is to inform customers about the launch of the Pb-free version of the device. The introduction of a Pb-free replacement affects the datasheet. Please understand that this notification is intended as a temporary substitute for a revision of the datasheet.

Changes to the datasheet may include the following, though not all of them may apply to this particular device.

1. Part number

Example: TMPxxxxxF      TMPxxxxxFG

All references to the previous part number were left unchanged in body text. The new part number is indicated on the prelims pages (cover page and this notification).

2. Package code and package dimensions

Example: LQFP100-P-1414-0.50C      LQFP100-P-1414-0.50F

All references to the previous package code and package dimensions were left unchanged in body text. The new ones are indicated on the prelims pages.

3. Addition of notes on lead solderability

Now that the device is Pb-free, notes on lead solderability have been added.

4. RESTRICTIONS ON PRODUCT USE

The previous (obsolete) provision might be left unchanged on page 1 of body text. A new replacement is included on the next page.

5. Publication date of the datasheet

The publication date at the lower right corner of the prelims pages applies to the new device.

1. Part number
2. Package code and dimensions

Previous Part Number (in Body Text)	Previous Package Code (in Body Text)	New Part Number	New Package Code	OTP
TMP47C101P	P-DIP16-300-2.54A	TMP47C101PG	DIP16-P-300-2.54A	TMP47P201VPG
TMP47C101M	P-SOP16-300-1.27	TMP47C101MG	SOP16-P-300-1.27	—
TMP47C201P	P-DIP16-300-2.54A	TMP47C201PG	DIP16-P-300-2.54A	TMP47P201VPG
TMP47C201M	P-SOP16-300-1.27	TMP47C201MG	SOP16-P-300-1.27	—

\*: For the dimensions of the new package, see the attached Package Dimensions diagram.

### 3. Addition of notes on lead solderability

The following solderability test is conducted on the new device.

Lead solderability of Pb-free devices (with the G suffix)

Test	Test Conditions	Remark
Solderability	(1) Use of Lead (Pb) ·solder bath temperature = 230°C ·dipping time = 5 seconds ·the number of times = once ·use of R-type flux (2) Use of Lead (Pb)-Free ·solder bath temperature = 245°C ·dipping time = 5 seconds ·the number of times = once ·use of R-type flux	Leads with over 95% solder coverage till lead forming are acceptable.

Not Recommended for New Design

#### 4. RESTRICTIONS ON PRODUCT USE

The following replaces the “RESTRICTIONS ON PRODUCT USE” on page 1 of body text.

#### RESTRICTIONS ON PRODUCT USE

20070701-EN

- The information contained herein is subject to change without notice.
- TOSHIBA is continually working to improve the quality and reliability of its products. Nevertheless, semiconductor devices in general can malfunction or fail due to their inherent electrical sensitivity and vulnerability to physical stress. It is the responsibility of the buyer, when utilizing TOSHIBA products, to comply with the standards of safety in making a safe design for the entire system, and to avoid situations in which a malfunction or failure of such TOSHIBA products could cause loss of human life, bodily injury or damage to property. In developing your designs, please ensure that TOSHIBA products are used within specified operating ranges as set forth in the most recent TOSHIBA products specifications. Also, please keep in mind the precautions and conditions set forth in the “Handling Guide for Semiconductor Devices,” or “TOSHIBA Semiconductor Reliability Handbook” etc.
- The TOSHIBA products listed in this document are intended for usage in general electronics applications (computer, personal equipment, office equipment, measuring equipment, industrial robotics, domestic appliances, etc.). These TOSHIBA products are neither intended nor warranted for usage in equipment that requires extraordinarily high quality and/or reliability or a malfunction or failure of which may cause loss of human life or bodily injury (“Unintended Usage”). Unintended Usage include atomic energy control instruments, airplane or spaceship instruments, transportation instruments, traffic signal instruments, combustion control instruments, medical instruments, all types of safety devices, etc.. Unintended Usage of TOSHIBA products listed in this document shall be made at the customer’s own risk.
- The products described in this document shall not be used or embedded to any downstream products of which manufacture, use and/or sale are prohibited under any applicable laws and regulations.
- The information contained herein is presented only as a guide for the applications of our products. No responsibility is assumed by TOSHIBA for any infringements of patents or other rights of the third parties which may result from its use. No license is granted by implication or otherwise under any patents or other rights of TOSHIBA or the third parties.
- Please contact your sales representative for product-by-product details in this document regarding RoHS compatibility. Please use these products in this document in compliance with all applicable laws and regulations that regulate the inclusion or use of controlled substances. Toshiba assumes no liability for damage or losses occurring as a result of noncompliance with applicable laws and regulations.
- For a discussion of how the reliability of microcontrollers can be predicted, please refer to Section 1.3 of the chapter entitled Quality and Reliability Assurance/Handling Precautions.

#### 5. Publication date of the datasheet

The publication date of this datasheet is printed at the lower right corner of this notification.

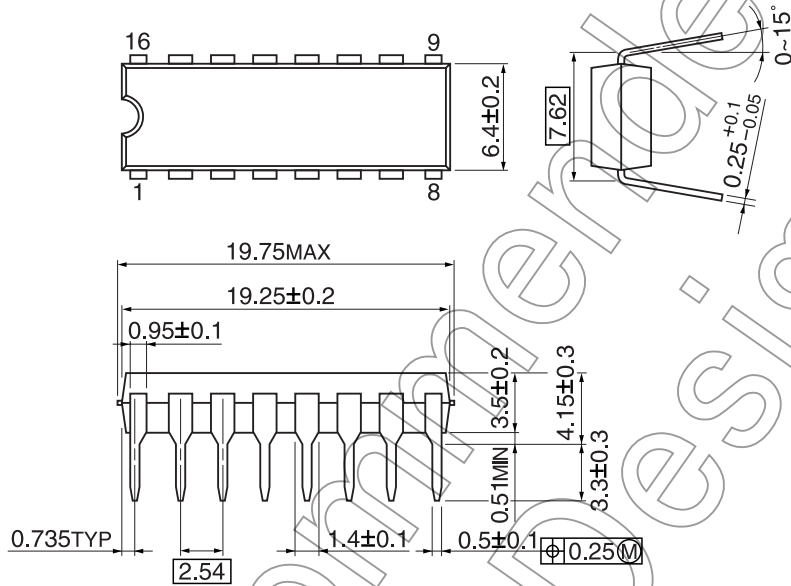
Not Recommended for New Design

(Annex)

Package Dimensions

DIP16-P-300-2.54A

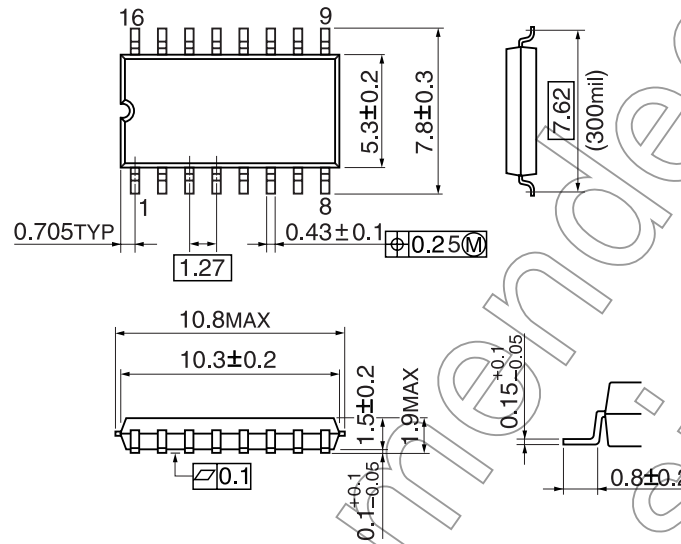
Unit: mm



Not Recommended for New Design

SOP16-P-300-1.27

Unit: mm



Not Recommended for New Design

## CMOS 4-Bit Microcontroller

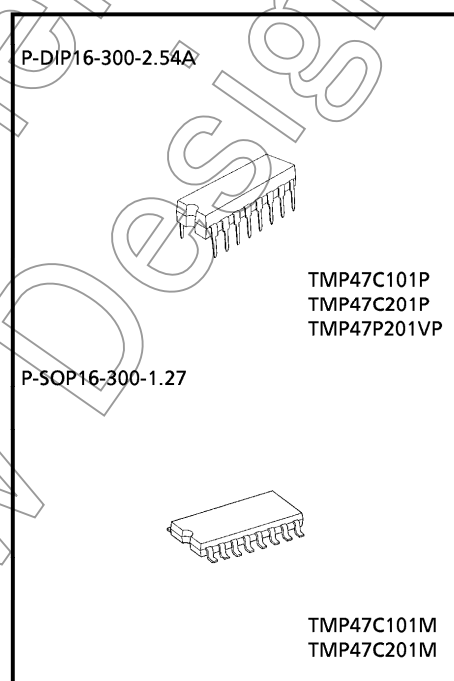
## TMP47C101P, TMP47C201P TMP47C101M, TMP47C201M

The TMP47C101/201 are high speed and high performance 4-bit single chip microcomputers, integrating ROM, RAM, input / output ports and timer/counters on a chip. The TMP47C101/201 are the standard LSI in the TLCS-47E series. In addition, they have the output port with LED direct drive capability.

Part No.	ROM	RAM	Package	OTP
TMP47C101P	1024 × 8-bit	64 × 4-bit	P-DIP16-300-2.54A	TMP47P201VP
TMP47C101M			P-SOP16-300-1.27	-
TMP47C201P	2048 × 8-bit	128 × 4-bit	P-DIP16-300-2.54A	TMP47P201VP
TMP47C201M			P-SOP16-300-1.27	-

### Features

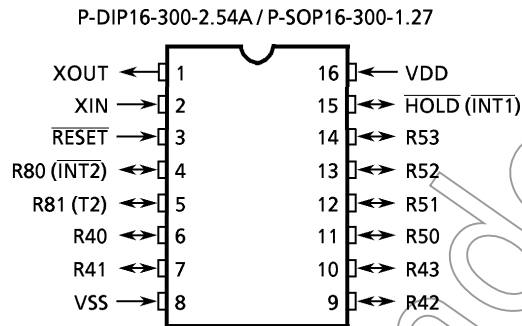
- ◆ 4-bit single chip microcomputer
- ◆ Instruction execution time: 1.3  $\mu$ s (at 6 MHz)
- ◆ Low voltage operation: 2.2 V (at 2 MHz RC)
- ◆ 89 basic instructions
  - ROM table look-up instructions
- ◆ Subroutine nesting: 15 levels max
- ◆ 5 interrupt sources (External: 2, Internal: 3)
  - All sources have independent latches each, and multiple interrupt control is available.
- ◆ I/O port (11 pins)
- ◆ 12-bit Timer / Counters (TC2)
  - Timer, event counter, and pulse width measurement mode
- ◆ 12-bit programmable Timer (TC1)
- ◆ Interval Timer
- ◆ High current outputs
  - LED direct drive capability: typ. 20 mA × 4 bits (Port R4)
- ◆ Hold function
  - Battery / Capacitor back-up
- ◆ Real Time Emulator: BM4721A + BM1160 (for DIP)



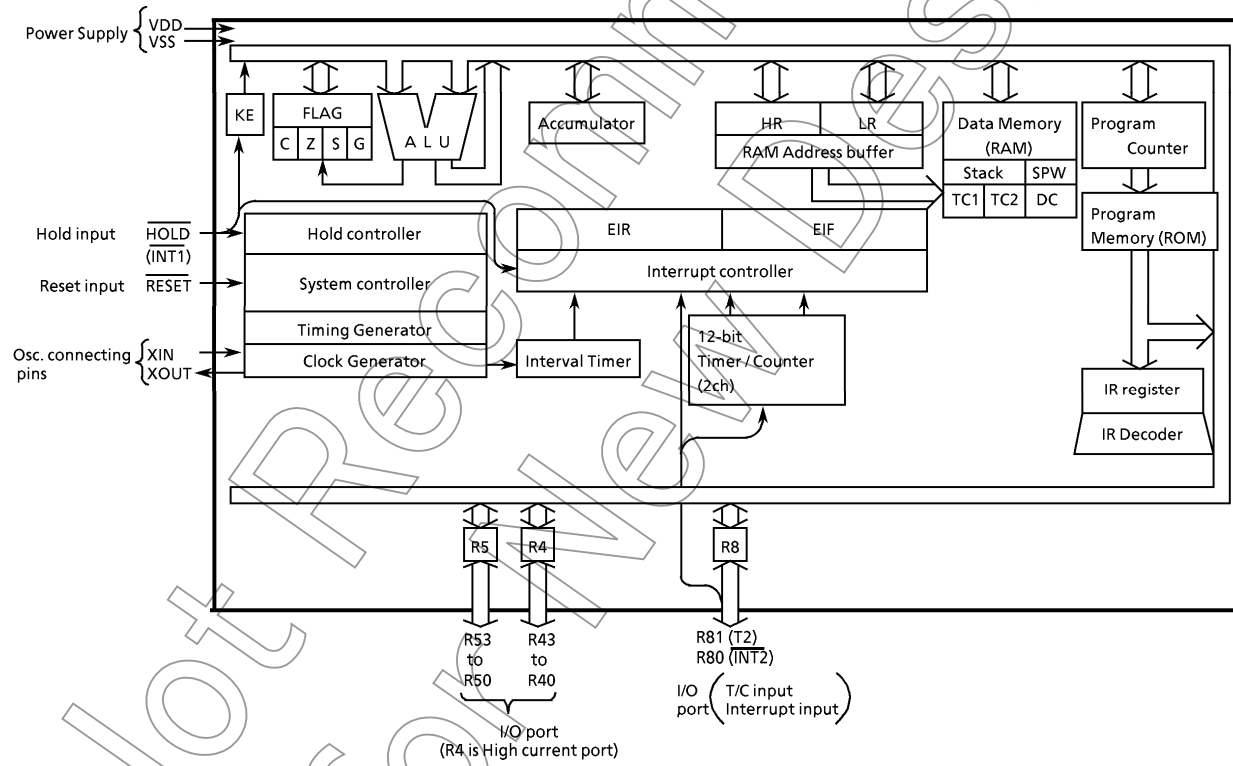
000707EBA1

- For a discussion of how the reliability of microcontrollers can be predicted, please refer to Section 1.3 of the chapter entitled Quality and Reliability Assurance / Handling Precautions.
- TOSHIBA is continually working to improve the quality and reliability of its products. Nevertheless, semiconductor devices in general can malfunction or fail due to their inherent electrical sensitivity and vulnerability to physical stress. It is the responsibility of the buyer, when utilizing TOSHIBA products, to comply with the standards of safety in making a safe design for the entire system, and to avoid situations in which a malfunction or failure of such TOSHIBA products could cause loss of human life, bodily injury or damage to property. In developing your designs, please ensure that TOSHIBA products are used within specified operating ranges as set forth in the most recent TOSHIBA products specifications. Also, please keep in mind the precautions and conditions set forth in the "Handling Guide for Semiconductor Devices," or "TOSHIBA Semiconductor Reliability Handbook" etc..
- The TOSHIBA products listed in this document are intended for usage in general electronics applications (computer, personal equipment, office equipment, measuring equipment, industrial robotics, domestic appliances, etc.). These TOSHIBA products are neither intended nor warranted for usage in equipment that requires extraordinarily high quality and/or reliability or a malfunction or failure of which may cause loss of human life or bodily injury ("Unintended Usage"). Unintended Usage include atomic energy control instruments, airplane or spaceship instruments, transportation instruments, traffic signal instruments, combustion control instruments, medical instruments, all types of safety devices, etc.. Unintended Usage of TOSHIBA products listed in this document shall be made at the customer's own risk.
- The products described in this document are subject to the foreign exchange and foreign trade laws.
- The information contained herein is presented only as a guide for the applications of our products. No responsibility is assumed by TOSHIBA CORPORATION for any infringements of intellectual property or other rights of the third parties which may result from its use. No license is granted by implication or otherwise under any intellectual property or other rights of TOSHIBA CORPORATION or others.
- The information contained herein is subject to change without notice.

Pin Assignment (Top View)



Block Diagram





## Pin Function

Pin Name	Input / Output	Functions	
R43 to R40	I/O	4-bit I/O port with latch. When used as input port, the latch must be set to "1". Every bit data is possible to be set, cleared and tested by the bit manipulation instruction of the L-register indirect addressing.	
R53 to R50			
R81 (T2)	I/O(Input)	2-bit I/O port with latch. When used as input port, external interrupt input pin, or timer / counter external input pin, the latch must be set to "1".	Timer / Counter 2 external input
R80 (INT2)			External interrupt 2 input
XIN	Input	Resonator connecting pins. For inputting external clock, XIN is used and XOUT is opened.	
XOUT	Output		
RESET	Input	Reset signal input	
HOLD (INT1)	I/O (Input)	Hold request / release signal input	External interrupt 1 input and R82 I/O
VDD	Power Supply	+ 5 V	
VSS		0 V (GND)	

Not Recommended for New Design

## Operational Description

Concerning the TMP47C101/201, the configuration and functions of hardware are described. The basic instructions of configuration in the TMP47C101/201 is the same as those of TLC5-47 series.

### 1. System Configuration

- ◆ Internal CPU Function
  - 2.1 Program Counter (PC)
  - 2.2 Program Memory (ROM)
  - 2.3 H Register, L Register
  - 2.4 Data Memory (RAM)
    - Stack
    - Stack Pointer Word (SPW)
    - Data Counter (DC)
  - 2.5 ALU, Accumulator
  - 2.6 Flags
  - 2.7 System Controller
  - 2.8 Interrupt Controller
  - 2.9 Reset Circuit
- ◆ Peripheral Hardware Function
  - 3.1 I/O Ports
  - 3.2 Interval Timer
  - 3.3 Timer / Counters (TC1, TC2)

Not Recommended  
for New Design

## 2. Internal CPU Function

### 2.1 Program Counter (PC)

The program counter is a 11-bit binary counter which indicates the address of the program memory storing the next instruction to be executed. Normally, the PC is incremented by the number of bytes of the instruction every time it is fetched. When a branch instruction or a subroutine instruction has been executed or an interrupt has been accepted, the specified values listed in Table 2-1 are set to the PC. The PC is initialized to "0" during reset.

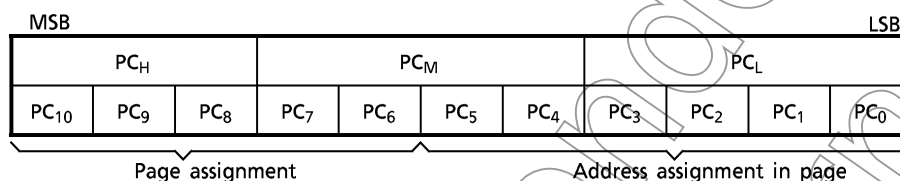


Figure 2-1. Configuration of Program Counter

The PC can directly address a 2048-byte address space. However, with the short branch, the following points must be considered:

- Short branch instruction [BSS a]  
In [BSS a] instruction execution, when the branch condition is satisfied, the value specified in the instruction is set to the lower 6 bits of the PC. That is, [BSS a] becomes the in-page branch instruction. When [BSS a] is stored at the last address of the page, the upper 5 bits of the PC point the next page, so that branch is made to the next page.

Table 2-1. Status Change of Program Counter

Instruction or Operation	Condition	Program Counter (PC)											
		PC <sub>10</sub>	PC <sub>9</sub>	PC <sub>8</sub>	PC <sub>7</sub>	PC <sub>6</sub>	PC <sub>5</sub>	PC <sub>4</sub>	PC <sub>3</sub>	PC <sub>2</sub>	PC <sub>1</sub>	PC <sub>0</sub>	
Execution of Instruction	BS a	SF = 1 (Branch condition is satisfied)	Immediate data specified by the instruction										
		SF = 0 (Branch condition is not satisfied)	+ 2										
	BSS a	SF = 1	Lower 6-bit address ≠ 111111	Hold					Immediate data specified by the instruction				
			Lower 6-bit address = 111111 (last address in page)	+ 1					Immediate data specified by the instruction				
		SF = 0	+ 1										
	CALL a		Immediate data specified by the instruction										
	CALLS a		0	0	0	The data generated by the immediate data specified by the instruction					1	1	0
	RET		The return address restored from stack										
	RETI		The return address restored from stack										
	Others		Incremented by the number of bytes in the instruction										
Interrupt acceptance		0	0	0	0	0	0	0	Interrupt vector			0	
Reset		0	0	0	0	0	0	0	0	0	0	0	

## 2.2 Program Memory (ROM)

Programs and fixed data are stored in the program memory. The instruction to be executed next is read from the address indicated by the contents of the PC.

The fixed data can be read by using the table look-up instructions.

- Table look-up instructions

[LDL A, @DC], [LDH A, @DC +]

The table look-up instructions read the lower and upper 4 bits of the fixed data stored at the address specified in the data counter (DC) to place them into the accumulator. [LDL A, @DC] instruction reads the lower 4 bits of fixed data, and [LDH A, @DC +] instruction reads the upper 4 bits.

The DC is a 12-bit register, allowing it to address the entire program memory space.

In this case, the upper bit of the DC (MSB) is ignored. (not effective valid)

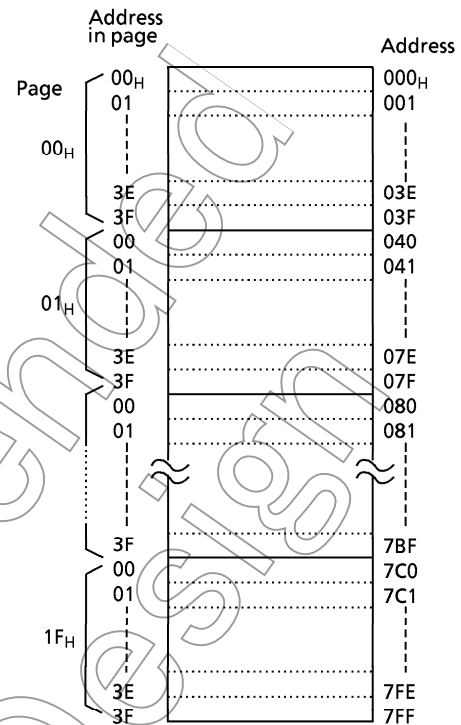


Figure 2-2. Configuration of Program Memory

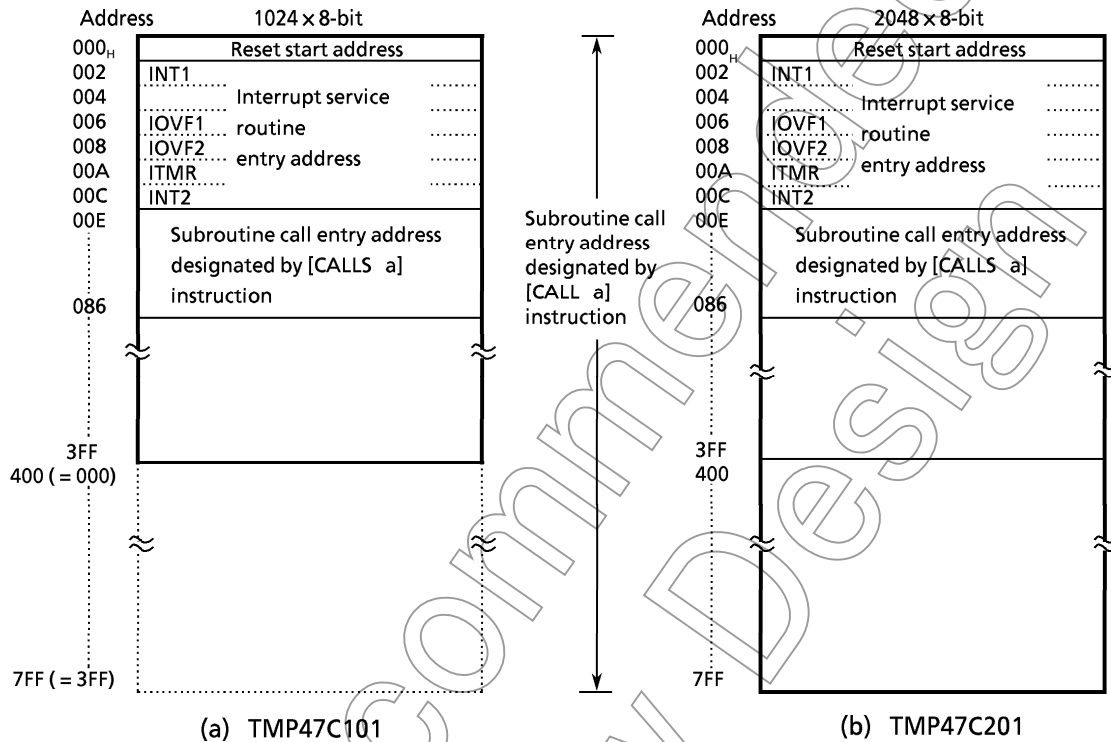
### 2.2.1 Program Memory Capacity

The TMP47C101 has 1024 × 8 bits (addresses 000<sub>H</sub> through 3FF<sub>H</sub>) of program memory (mask ROM), the TMP47C201 has 2048 × 8 bits (addresses 000<sub>H</sub> through 7FF<sub>H</sub>).

Figure 2-3 shows the program memory map. Address 000<sub>H</sub> - 086<sub>H</sub> of the program memory are also used for special purposes.

2.2.2 Program Memory Map

On the TMP47C101, no physical program memory exists in the address range 400<sub>H</sub> through 7FF<sub>H</sub>. However, if this space is accessed by program, the most significant bit of each address is always regarded as "0" and the contents of the program memory corresponding to the address 000<sub>H</sub> through 3FF<sub>H</sub> are read.



Note: Address 004<sub>H</sub> and 005<sub>H</sub> can be used to store ordinary user's processing data.

Figure 2-3. Program Memory Map

Not Recommended for New Design

### 2.3 H Register and L Register

The H register and the L register are 4-bit general registers. They are also used as a register pair (HL) for the data memory (RAM) addressing pointer. The RAM consists of pages, each page being 16 words long (1 word = 4 bits). The H register specifies a page and the L register specifies an address in the page.

The L register has the auto-post-increment / decrement capability, implementing the execution of composite instructions. For example, [ST A, @HL+] instruction automatically increments the contents of the L register after data transfer.

During the execution of [SET @L], [CLR @L], or [TEST @L] instructions, the L register is also used to specify the bits corresponding to I/O port pins R53 through R40 (the indirect addressing of port bits by the L register).

Example 1: To write immediate values "5" and "FH" to data memory addresses 10<sub>H</sub> and 11<sub>H</sub>.

```
LD    HL, #10H           ; HL ← 10H
ST    #5, @HL+          ; RAM [10H] ← 5H, LR ← LR + 1
ST    #0FH, @HL+       ; RAM [11H] ← FH, LR ← LR + 1
```

Example 2: The output latch of R51 pin set "1" by the L register indirect addressing bit manipulation instruction.

```
LD    L, #0101B        ; Sets R51 pin address to L register
SET   @L               ; R51 ← 1
```

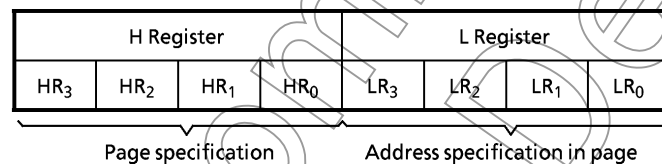


Figure 2-4. Configuration of H and L Registers

### 2.4 Data Memory (RAM)

The data memory stores user-processed data. One-page of this memory is 16 words long (1 word = 4 bits). It has 8 page.

The RAM is addressed in one of the three ways (addressing modes):

- (1) Register-indirect addressing mode  
In this mode, a page is specified by the H register and an address in the page by the L register.

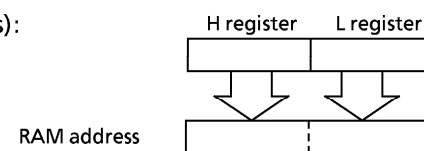
Example: LD A, @HL ; Acc ← RAM [HL]

- (2) Direct addressing mode  
In this mode, an address is directly specified by the 8 bits of the second byte (operand) in the instruction field.

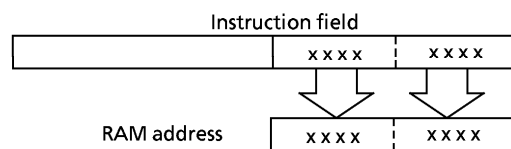
Example: LD A, 2CH ; Acc ← RAM [2C<sub>H</sub>]

- (3) Zero-page addressing mode  
In this mode, an address in zero-page (addresses 00<sub>H</sub> through 0F<sub>H</sub>) is specified by the lower 4 bits of the second byte (operand) in the instruction field.

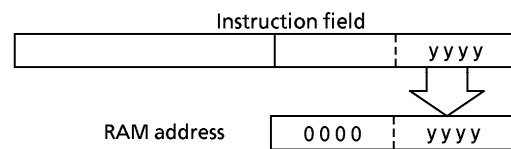
Example: ST #3, 05H ; RAM [05<sub>H</sub>] ← 3



Ⓐ Register-indirect



Ⓑ Direct



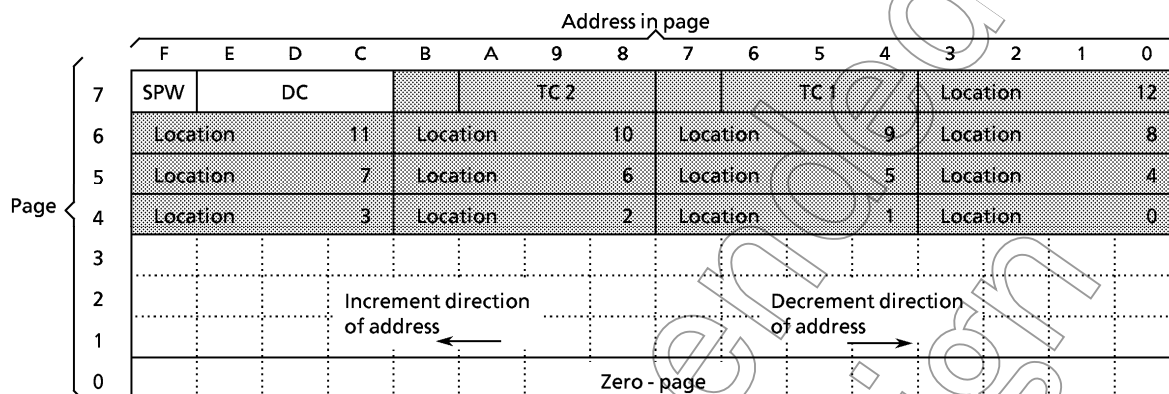
Ⓒ Zero-page

Figure 2-5. Addressing mode

### 2.4.1 Data Memory Map

Figure 2-6 shows the data memory map. The data memory is also used for the following special purpose.

- ① Stack and Stack Pointer Word (SPW)
- ② Data Counter (DC)
- ③ Count registers of the timer/counters (TC1, TC2)
- ④ Zero-page



Note 1:  denotes the stack area.

Note 2: The TC1 and TC2 areas are shared by the locations 13 and 14.

Figure 2-6. Data Memory Map (TMP47C201)

#### (1) Stack

The stack provides the area in which the return address is saved before a jump is performed to the processing routine at the execution of a subroutine call instruction or the acceptance of an interrupt. When a subroutine call instruction is executed, the contents (the return address) of the program counter are saved; when an interrupt is accepted, the contents of the program counter and flags are saved.

When returning from the processing routine, executing the subroutine return instruction [RET] restores the contents of the program counter from the stack; executing the interrupt return instruction [RETI] restores the contents of the program counter and flags.

The stack consists of up to 15 levels (locations 0 through 14) which are provided in the data memory (addresses 40<sub>H</sub> through 7B<sub>H</sub>). Each location consists of 4-word data memory. Locations 13 and 14 are shared with the count registers of the timer / counters (TC1, TC2) to be described later.

The save / restore locations in the stack are determined by the stack pointer word (SPW). The SPW is automatically decremented after save, and incremented before restore. That is, the value of the SPW indicates the stack location number for the next save.

#### (2) Stack Pointer Word (SPW)

Address 7F<sub>H</sub> (3F<sub>H</sub> for the TMP47C101) in the data memory is called the stack pointer word, which identifies the location in the stack to be accessed (save or restore).

Generally, location number 0 to 12 can be set to the SPW, providing up to 13 levels of stack nesting. Locations 13 and 14 are shared with the timer / counters to be described later; therefore, when the timer/counters are not used, the stack area of up to 15 levels is available. Address 7F<sub>H</sub> is assigned to the SPW, so that the contents of the SPW cannot be set "15" in any case.

The SPW is automatically updated when a subroutine call is executed or an interrupt is accepted. However, if it is used in excess of the stack area permitted by the data memory allocating configuration, the user-processed data may be lost. (For example, when the user-processed data area is in an address range 00<sub>H</sub> through 4F<sub>H</sub>, up to location 4 of the stacks are usable. If an interrupt is accepted with location 4 already used, the user-processed data stored in addresses 4C<sub>H</sub> through 4F<sub>H</sub> corresponding to the location 3 area is lost.)

The SPW is not initialized by hardware, requiring to write the initial value (the location with which

the use of the stack starts) by using the initialization routine. Normally, the initial value of "12" is used.

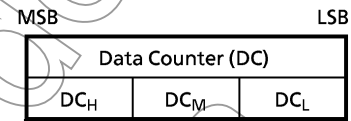
Example: To initialize the SPW (when the stack is used from location 12)

```
LD    A, #12    ; SPW ← 12
ST    A, 0FFH
```

(3) Data Counter (DC)

The data counter is a 12-bit register to specify the address of the data table to be referenced in the program memory (ROM). Data table reference is performed by the table look-up instructions [LDL A, @DC] and [LDH A, @DC+]. The data table may be located anywhere within the program memory address space.

The DC is assigned with a RAM address in unit of 4 bits. Therefore, the RAM manipulation instruction is used to set the initial value or read the contents of the DC.



RAM address	DC <sub>H</sub>	DC <sub>M</sub>	DC <sub>L</sub>
TMP47C201 (7E <sub>H</sub> )	(7D <sub>H</sub> )	(7C <sub>H</sub> )	(7B <sub>H</sub> )
TMP47C101 (3E <sub>H</sub> )	(3D <sub>H</sub> )	(3C <sub>H</sub> )	(3B <sub>H</sub> )

Figure 2-7. Data Counter

Example: To set the DC to 380<sub>H</sub>.

```
LD    HL, #07CH ; Sets RAM address of DCL to HL register pair.
ST    #0H, @HL+ ; DC ← 380H
ST    #8H, @HL+
ST    #3H, @HL+
```

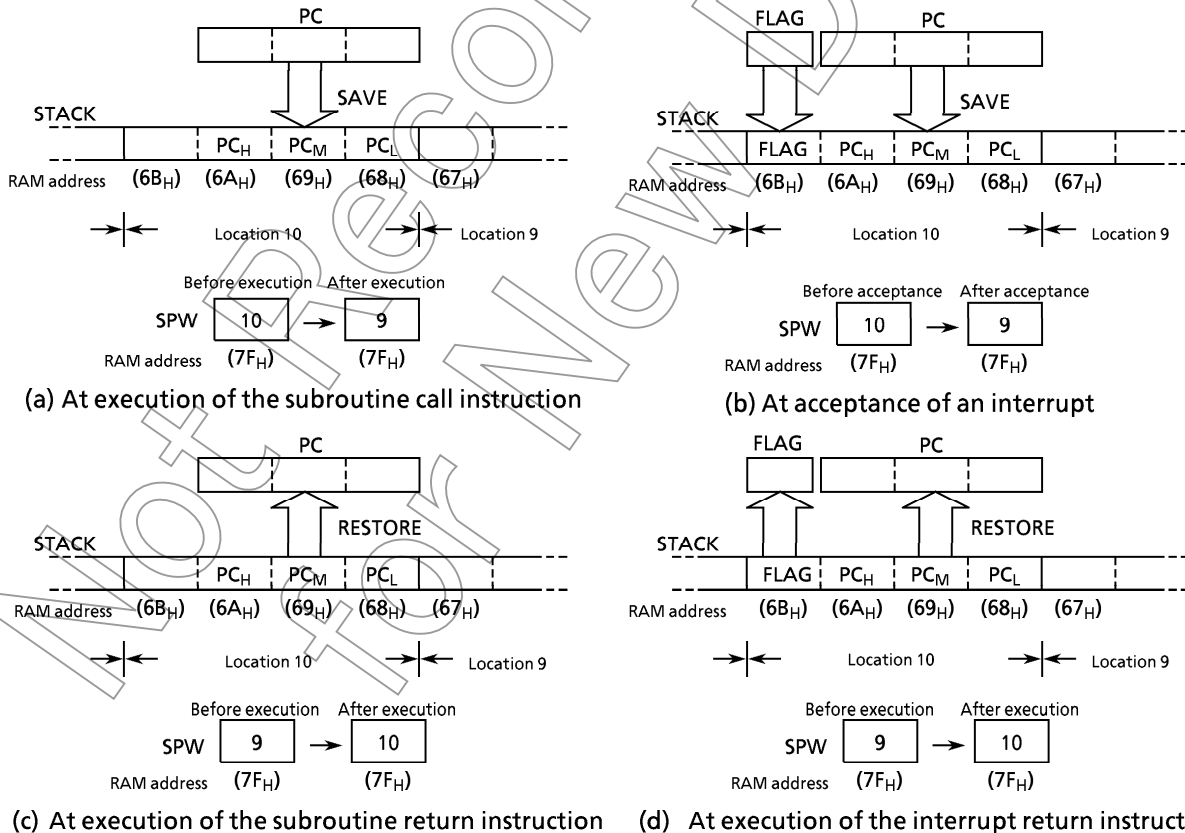


Figure 2-8. Accessing Stack (Save / Restore at the TMP47C201)



(4) Count registers of the timer / counters (TC1, TC2)

The TMP47C101/201 has two channels of 12-bit timer / counters. The count register of the timer / counter is assigned with a RAM addresses in unit of 4 bits, so that the initial value is set and the contents are read by using the RAM manipulation instruction.

The count registers are shared with the stack area (locations 13 and 14) described earlier, so that the stack is usable from location 13 when the timer / counter 1 is not used. When none of timer / counter 1 and timer / counter 2 are used, the stack is usable from location 14.

When both timer/counter 1 and timer / counter 2 are used, the data memory locations at addresses 77<sub>H</sub> and 7B<sub>H</sub> (37<sub>H</sub> and 3B<sub>H</sub> for the TMP47C101) can be used to store the user-processed data.

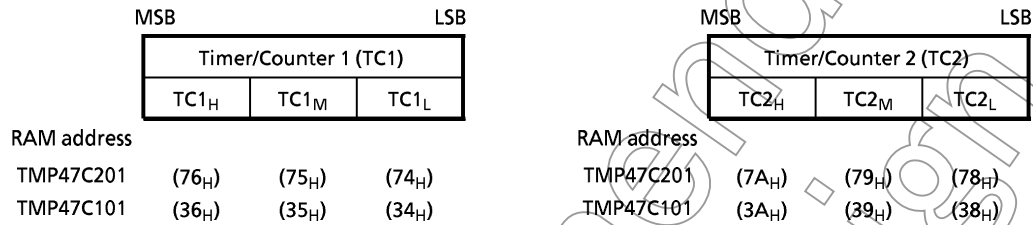


Figure 2-9. Count Registers of the Timer / Counters (TC1, TC2)

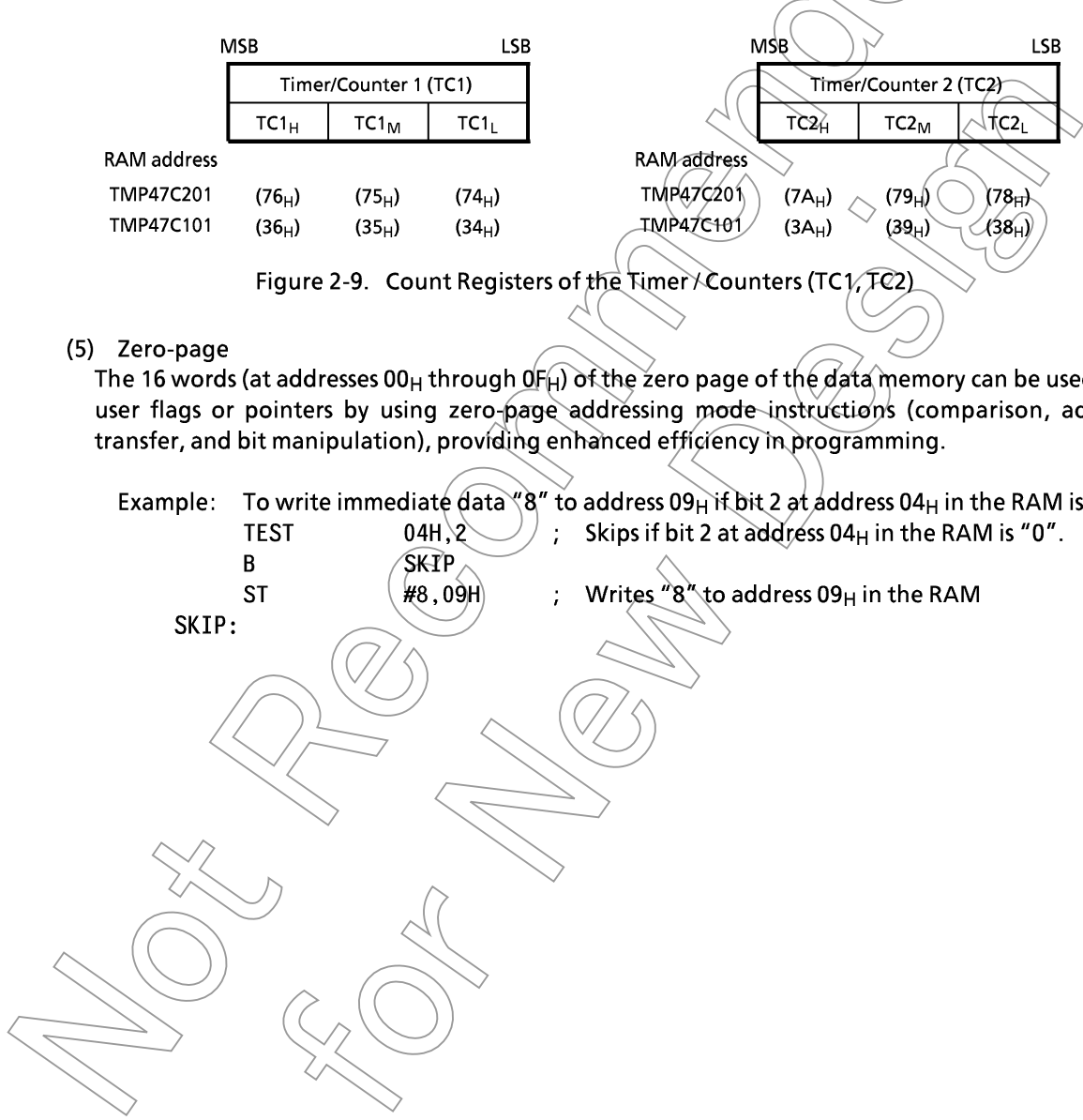
(5) Zero-page

The 16 words (at addresses 00<sub>H</sub> through 0F<sub>H</sub>) of the zero page of the data memory can be used as the user flags or pointers by using zero-page addressing mode instructions (comparison, addition, transfer, and bit manipulation), providing enhanced efficiency in programming.

Example: To write immediate data "8" to address 09<sub>H</sub> if bit 2 at address 04<sub>H</sub> in the RAM is "1".

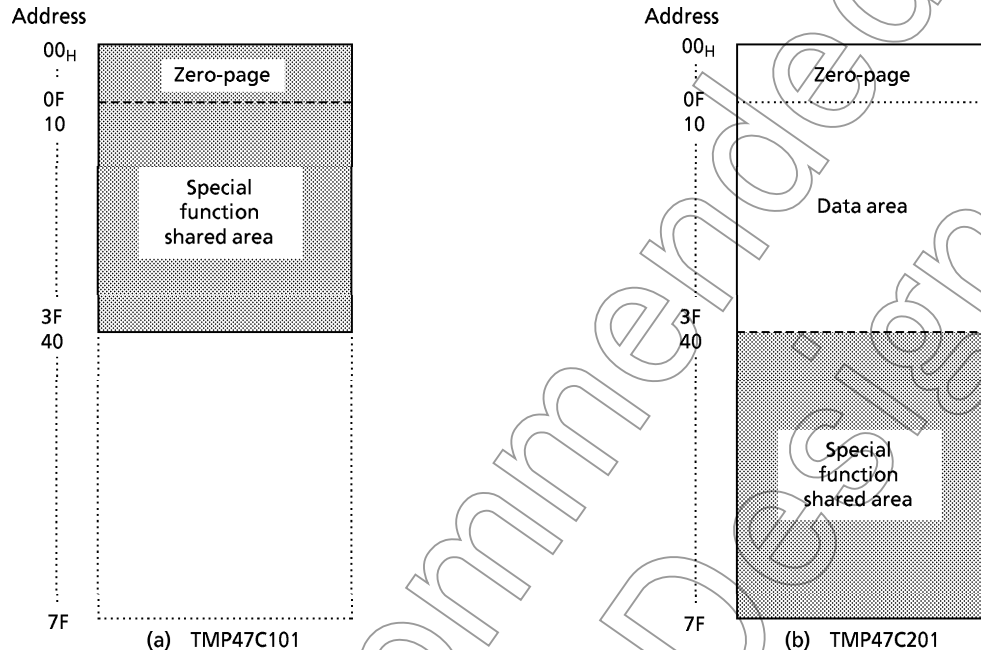
```

TEST    04H,2    ; Skips if bit 2 at address 04H in the RAM is "0".
B       SKIP
ST      #8,09H   ; Writes "8" to address 09H in the RAM
SKIP:
    
```



### 2.4.2 Data Memory Capacity

The TMP47C101 has 64 × 4 bits (addresses 00<sub>H</sub> to 3F<sub>H</sub>) of the data memory (RAM), and the TMP47C201 has 128 × 4 bit (addresses 00<sub>H</sub> to 7F<sub>H</sub>). When power-on performed, the contents of the RAM become unpredictable, so that they must be initialized by the initialization routine.



Note: In the TMP47C101, the zero-page and the special function shared area (stack location 3 to 0) are overlapped. At programming note that addresses 10 to 3F<sub>H</sub> are assigned to addresses D0 to FF<sub>H</sub> in the TMP47C101, and addresses 10 to 7F<sub>H</sub> are assigned to addresses 90 to FF<sub>H</sub> in the TMP47C201 by considering that the operation is checked in the OTP type product. The technical data sheets for the TMP47P201V shall also be referred to.

Figure 2-10. Data Memory Capacity and Address Assignment

Example: To clear RAM (use common to the TMP47C101 and TMP47C201)

```

LD      HL, #00H      ; HL←00H
SCLR RAM: ST  #0, @HL+ ; RAM [HL] ←0, LR←LR + 1
B       SCLR RAM
ADD    H, #1         ; HR←HR + 1
B       SCLR RAM
    
```

## 2.5 ALU and Accumulator

### 2.5.1 Arithmetic / Logic Unit (ALU)

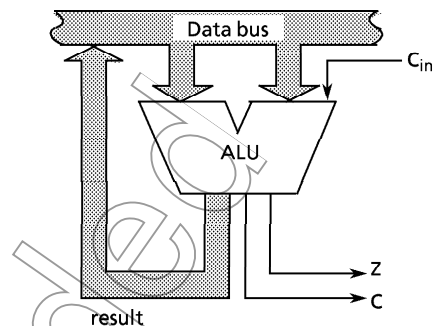
The ALU performs the arithmetic and logic operations specified by instructions on 4-bit binary data and outputs the result of the operation, the carry information (C), and the zero detect information (Z).

(1) Carry information (C)

The carry information indicates a carry-out from the most significant bit in an addition. A subtraction is performed as addition of two's complement, so that, with a subtraction, the carry information indicates that there is no borrow to the most significant bit. With a rotate instruction, the information indicates the data to be shifted out from the accumulator.

(2) Zero detect information (Z)

This information is "1" when the operation result or the data to be transferred to the accumulator/data memory is "0000<sub>B</sub>".



Note: C<sub>in</sub> indicates the carry input specified by instruction

Figure 2-11. ALU

Example: The carry information and zero detect information for 4-bit additions and subtractions.

Operation	Result	C	Z	Operation	Result	C	Z
4 + 2 =	6	0	0	8 - 1 =	7	1	0
7 + 9 =	0	1	1	2 - 2 =	0	1	1
				5 - 8 =	-3(1101 <sub>B</sub> )	0	0

2.5.2 Accumulator (Acc)

The accumulator is a 4-bit register used to hold source data or results of the operations and data manipulations.

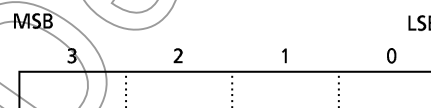


Figure 2-12. Accumulator

2.6 Flags

There are a carry flag (CF), a zero flag (ZF), a status flag (SF), and a general flag (GF), each consisting of 1 bit. These flags are set or cleared according to the condition specified by an instruction. When an interrupt is accepted, the flags are saved on the stack along with the program counter. When the [RETI] instruction is executed, the flags are restored from the stack to the states set before interrupt acceptance.

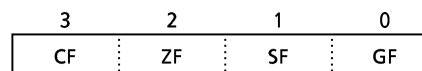


Figure 2-13. Flags

(1) Carry flag (CF)

The carry flag holds the carry information received from the ALU at the execution of an addition/subtraction with carry instruction, a compare instruction, or a rotate instruction. With a carry flag test instruction, the CF holds the value specified by it.

- ① Addition/subtraction with carry instructions [ADDC A, @HL], [SUBRC A, @HL]

The CF becomes the input (C<sub>in</sub>) to the ALU to hold the carry information.

- ② Compare instructions [CMPR A, @HL], [CMPR A, #k]

The CF holds the carry information (non-borrow).

- ③ Rotate instructions [ROLC A], [RORC A]

The CF is shifted into the accumulator to hold the carry information (the data shifted out from the accumulator).

- ④ Carry flag test instructions [TESTP CF], [TEST CF]

With [TESTP CF] instruction, the content of the CF is transferred to the SF then the CF is set to "1".

With [TEST CF] instruction, the value obtained by inverting the content of the CF is transferred to the SF then the CF is cleared to "0".

(2) Zero flag (ZF)

The zero flag holds the zero detect information (Z) received from the ALU at the execution of an operational instruction, a rotate instruction, an input instruction, or a transfer-to-accumulator instruction.

(3) Status flag (SF)

The status flag provides the branch condition for a branch instruction. Branch is performed when this flag is set to "1". Normally the SF is set to "1", so that any branch instruction can be regarded as an unconditional branch instruction. When a branch instruction is executed upon set or clear of the SF according to the condition specified by an instruction, this instruction becomes a conditional branch instruction. During reset, the SF is initialized to "1", other flags are not affected.

(4) General flag (GF)

This is a 1-bit general-purpose flag which can be set, cleared, or tested by program.

Example: When the following instructions are executed with the accumulator, H register, L register, data memory (address 07<sub>H</sub>), and carry flag being set to "C<sub>H</sub>", "0", "7", "5", and "1" respectively, the contents of the accumulator and flags become as follows:

Instruction	Acc after execution	Flag after execution		
		CF	ZF	SF
ADDC A, @HL	2 <sub>H</sub>	1	0	0
SUBRC A, @HL	9 <sub>H</sub>	0	0	0
CMPR A, @HL	C <sub>H</sub>	0	0	1
AND A, @HL	4 <sub>H</sub>	1	0	1
LD A, @HL	5 <sub>H</sub>	1	0	1

Instruction	Acc after execution	Flag after execution		
		CF	ZF	SF
LD A, #0	0 <sub>H</sub>	1	1	1
ADD A, #4	0 <sub>H</sub>	1	1	0
DEC A	B <sub>H</sub>	1	0	1
ROL A	9 <sub>H</sub>	1	0	0
ROR A	E <sub>H</sub>	0	0	1

2.7 System Controller

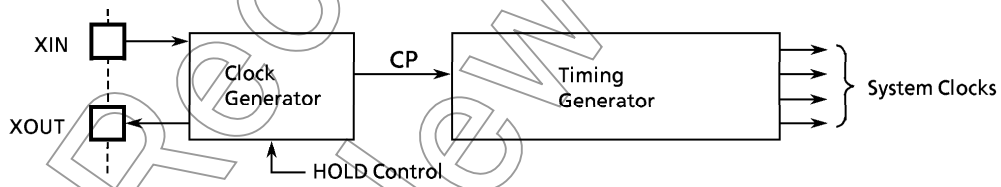


Figure 2-14. Clock Generator and Timing Generator

2.7.1 Clock Generator

The clock generator provides the basic clock pulse (CP) by which the system clock to be supplied to the CPU and the peripheral hardware is produced. The CP can be easily obtained by connecting the resonator to the XIN and XOUT pins. (RC oscillation is also possible, depending on the mask option) The clock from the external oscillator is also available. In the hold operating mode, the clock generator stops oscillating.

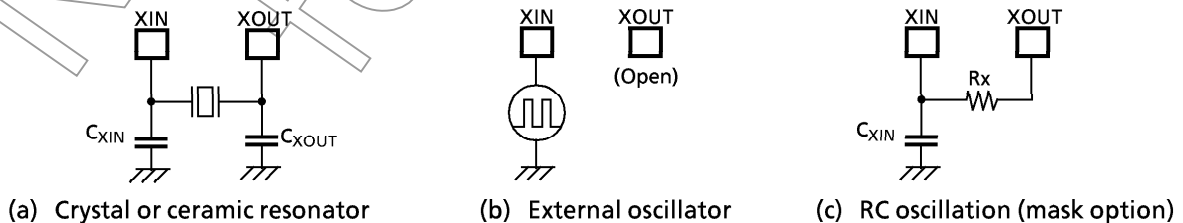


Figure 2-15. Examples of Oscillator Connection

*Note: Accurate adjustment of the oscillation frequency*

*Although the hardware to externally and directly monitor the CP is not provided, the oscillation frequency can be adjusted by making the program to output the pulse with a fixed frequency to the port with the all interrupts disabled and timer/counters stopped and monitoring this pulse. With a system requiring the oscillation frequency adjustment, the adjusting program must be created beforehand.*

Example: To output the oscillation frequency adjusting monitor pulse to port R40.

```
SFCCHK:  SET    %OP04, 0
          CLR    %OP04, 0
          BSS    SFCCHK
```



### 2.7.2 Timing Generator

The timing generator produces the system clocks from basic clock pulse (CP) which are supplied to the CPU and the peripheral hardware.

The timing generator consists of a 18-stage binary counter with a divided-by-16 prescaler. The basic clock (frequency:  $f_c$ ) provides the timing generator. Therefore, the output frequency at the last stage is  $f_c/2^{22}$ [Hz]. During reset, the binary counter is cleared to "0", however, the prescaler is not cleared.

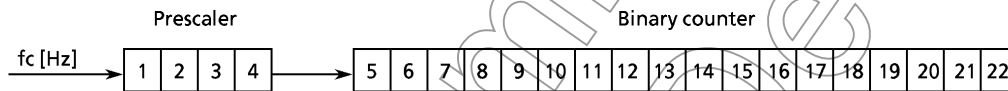


Figure 2-16. Configuration of Interval Timer

The timing generator provides the following functions:

- ① Generation of an internal source clock for interval timer
- ② Generation of an internal source clock for timer/counters
- ③ Generation of a warm-up time for releasing of the hold operating mode

### 2.7.3 Instruction Cycle

The instruction execution and the on-chip peripheral hardware operations are performed in synchronization with the basic clock pulse (CP:  $f_c$ [Hz]). The smallest unit of instruction execution is called an instruction cycle. The instruction set of the TLCS-47 series consists of 1-cycle instructions and 2-cycle instructions. The former requires 1 cycle for their execution; the latter, 2 cycles. Each instruction cycle consists of 4 states (S1 through S4). Each state consists of 2 basic clock pulses.

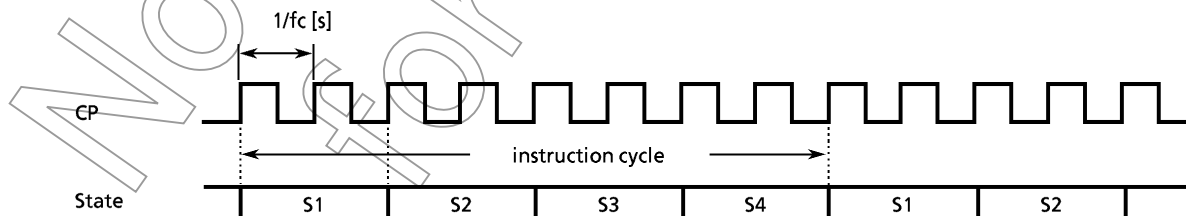


Figure 2-17. Instruction Cycle

### 2.7.4 Hold Operating Mode

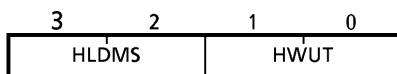
The hold feature stops the system and holds the system's internal states active before stop with a low power. The hold operation is controlled by the command register (OP10) and the  $\overline{\text{HOLD}}$  pin input. The  $\overline{\text{HOLD}}$  pin input state can be known by the status register (IP0E). The  $\overline{\text{HOLD}}$  pin is wired with the R82 output latch. To use this port for hold operating mode, the R82 output latch should be set to "1".

#### (1) Starts Hold Operating Mode

The hold operation is started when the command is set to the command register and holds the following states during the hold operation:

- ① The oscillator stops and the system's internal operations are all held up.
- ② The timing generator is cleared to "0".
- ③ The states of the data memory, registers, and latches valid immediately before the system is put in the hold state are all held.
- ④ The program counter holds the address of the instruction to be executed after the instruction ([OUT A, %OP10] or [OUT @HL, %OP10]) which starts the hold operating mode.

Hold operating mode command register  
(Port address: OP10) (Initial value: \*0\*\*)



HLDMS	Starts hold operation
-------	-----------------------

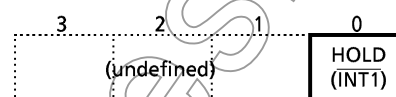
01: Starts hold operation in edge-release mode  
11: Starts hold operation in level-release mode  
\*0: (Unused)

HWUT	Warm-up time at release of the hold
------	-------------------------------------

Example: At  $f_c = 4$  MHz

00: $2^{18}/f_c$ [s]	65.5 [ms]
01: $2^{14}/f_c$	4.1
10: (Unused)	
11: $2^6/f_c$	0.016

Hold operating mode status register  
(Port address: IP0E)



HOLD	HOLD pin input state
------	----------------------

0: HOLD pin is high  
1: HOLD pin is low

Note 1: \*: Don't care

Note 2: Do not access the OP10 when HOLD mode is not used.

Note 3: An undefined value is read from bit1 to bit3 of the IP0E with an input instruction.

Figure 2-18. Hold Operating Mode Command Register/Status Register

The hold operating mode consists of the level-sensitive release mode and the edge-sensitive release mode.

#### a. Level-sensitive release (back-up) mode

In this mode, the hold operation is released by setting the  $\overline{\text{HOLD}}$  pin to the high level. This mode is used for the capacitor backup with power off or for the battery backup for long hours.

If the instruction to start the hold operation is executed with the  $\overline{\text{HOLD}}$  pin input being high, the hold operation does not start but the release sequence (warm-up) starts immediately. Therefore, to start the hold operation in the level-sensitive release mode, that the  $\overline{\text{HOLD}}$  pin input being low (the hold operation request) must be recognized in program. This recognition is performed in one of the two ways below:

- ① Testing HOLD (bit 0 of the status register)
- ② Generating the external interrupt 1 request.

Example: To test HOLD to start the hold operation in the level-sensitive release mode (the warm-up time =  $2^{14}/f_c$ ).

```

SHOLDH: TEST  %IP0E, 0 ; Waits until  $\overline{\text{HOLD}}$  pin input goes low.
        B      SHOLDH
        LD     A, #1101B ; OP10 ← 1101B
        OUT    A, %OP10
    
```

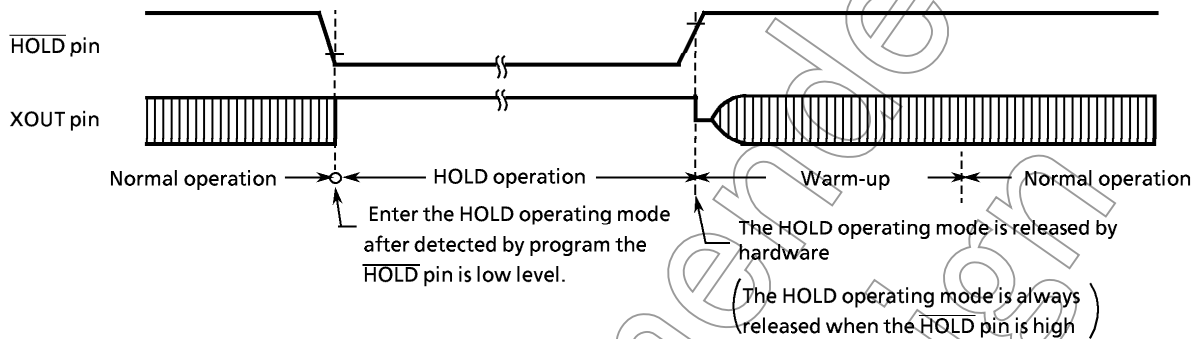


Figure 2-19. Level-sensitive release mode

b. Edge-sensitive release (clock) mode

In this mode, the hold operation is released at the rising edge of the  $\overline{\text{HOLD}}$  pin input. This mode is used for applications in which a relatively short-time program processing is repeated at a certain cycle. This cyclic signal (for example, the clock supplied from the low power dissipation oscillator). In the edge-sensitive mode, even if the  $\overline{\text{HOLD}}$  pin input is high, the hold operation is performed.

Example: To start the hold operation in the edge-sensitive release mode (the warm-up time =  $2^{14}/f_c$ ).

```

LD     A, #0101B ; OP10 ← 0101B
OUT    A, %OP10
    
```

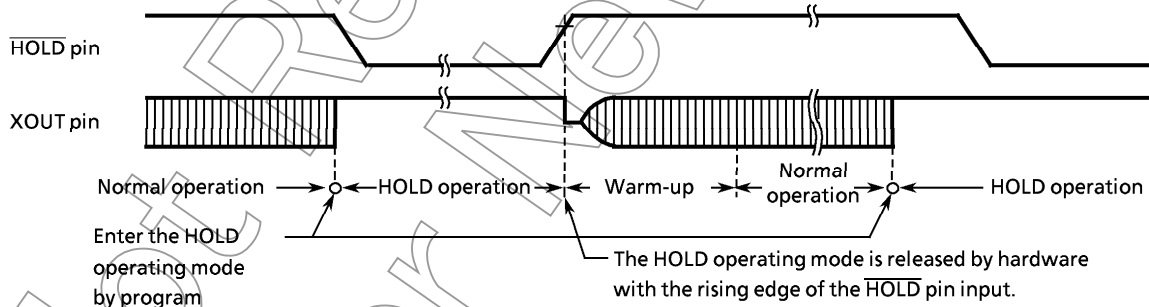


Figure 2-20. Edge-sensitive release mode

**Note:** In the hold operation, the dissipation of the power associated with the oscillator and the internal hardware is lowered; however, the power dissipation associated with the pin interface (depending on the external circuitry and program) is not directly determined by the hardware operation of the hold feature. This point should be considered in the system design and the interface circuit design.

In the CMOS circuitry, a current does not flow when the input level is stable at the power voltage level ( $V_{DD}$  /  $V_{SS}$ ); however, when the input level gets higher than the power voltage level (by approximately 0.3 to 0.5 V), a current begins to flow. Therefore, if cutting off the output transistor at an I/O port (the open drain output pin with an input transistor connected) puts the pin signal into the high-impedance state, a current flows across the ports input transistor, requiring to fix the level by pull-up or other means.

## (2) Releases Hold Operating Mode

The hold operating mode is released in the following sequence:

- ① The oscillator starts
- ② Warm-up is performed to acquire the time for stabilizing oscillation. During the warm-up, the internal operations are all stopped. One of three warm-up times can be selected by program depending on the characteristics of the oscillator used.
- ③ When the warm-up time has passed, an ordinary operation restarts from the instruction next to the instruction which starts the hold operation.

- \* The warm-up time is obtained by dividing the basic clock by the interval timer, so that, if the frequency at releasing the hold operation is unstable, the warm-up time shown in Figure 2-18 includes an error. Therefore, the warm-up time must be handled as an approximate value. The hold operation is also released by setting the RESET pin to the low level. In this case, the normal reset operation follows immediately.

## 2.8 Interrupt Function

### 2.8.1 Interrupt Controller

There are 5 interrupt sources (2 external and 3 internal). The prioritized multiple interrupt capability is supported. The interrupt latches (IL<sub>5</sub> through IL<sub>0</sub>) to hold interrupt requests are provided for the interrupt sources. Each interrupt latch is set to "1" when an interrupt request is made, asking the CPU to accept the interrupt. The acceptance of interrupt can be permitted or prohibited by program through the interrupt enable master flip-flop (EIF) and interrupt enable register (EIR). When two or more interrupts occur simultaneously, the one with the highest priority determined by hardware is serviced first.

Table 2-2. Interrupt Sources

Interrupt Source			Priority	Interrupt Latch	Enable conditions	Entry address
External	External Interrupt 1	(INT1)	(highest) 1	IL <sub>5</sub>	EIF = 1	002 <sub>H</sub>
Internal	TC1 overflow Interrupt	(IOVF1)	2	IL <sub>3</sub>	EIF = 1, EIR <sub>2</sub> = 1	006 <sub>H</sub>
	TC2 overflow Interrupt	(IOVF2)	3	IL <sub>2</sub>		EIF = 1, EIR <sub>1</sub> = 1
	Interval Timer Interrupt	(ITMR)	4	IL <sub>1</sub>	00A <sub>H</sub>	
External	External Interrupt 2	(INT2)	(lowest) 5	IL <sub>0</sub>	EIF = 1, EIR <sub>0</sub> = 1	00C <sub>H</sub>



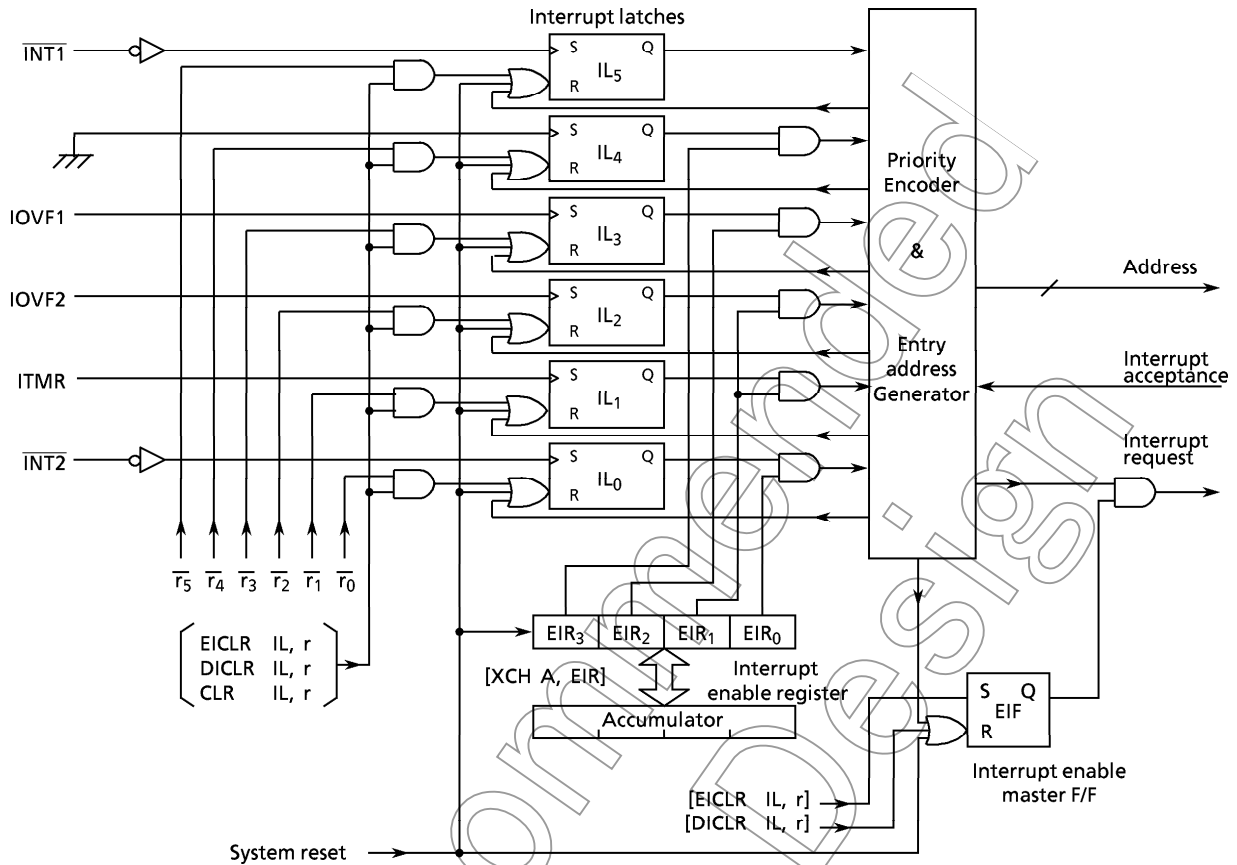


Figure 2-21. Interrupt Controller Block Diagram

## (1) Interrupt enable master flip-flop (EIF)

The EIF controls the enable / disable of all interrupts. When this flip-flop is cleared to "0", all interrupts are disabled; when it is set to "1", the interrupts are enabled.

When an interrupt is accepted, the EIF is cleared to "0", temporarily disabling the acceptance of subsequent interrupts. When the interrupt service program has been executed, the EIF is set to "1" by the execution of the interrupt return instruction [RETI], being put in the enabled state again.

Set or clear of the EIF in program is performed by instructions [EICLR IL, r] and [DICLR IL, r], respectively. The EIF is initialized to "0" during reset.

## (2) Interrupt enable register (EIR)

The EIR is a 4-bit register specifies the enable or disable of each interrupt except INT1. An interrupt is enabled when the corresponding bit of the EIR is "1", and an interrupt is disabled when the corresponding bit of the EIR is "0". Bit 1 of the EIR (EIR<sub>1</sub>) is shared by both IOVF2 and ITMR interrupts.

Read/write on the EIR is performed by executing [XCH A, EIR] instruction. The EIR is initialized to "0" during reset.

## (3) Interrupt latch (IL)

An interrupt latch is provided for each interrupt source. The IL is set to "1" when an interrupt request is made to ask the CPU for accepting the interrupt. Each IL is cleared to "0" upon acceptance of the interrupt. It is initialized to "0" during reset.

The ILs can be cleared independently by interrupt latch operation instructions ([EICLR IL, r], [DICLR IL, r], and [CLR IL, r]) to make them cancel interrupt requests or initialize by program. When the value of instruction field (r) is "0", the interrupt latch is cleared; when the value is "1", the IL is held. Note that the ILs cannot be set by instruction.

Example 1: To enable IOVF1, INT1, and INT2 interrupts.

```
LD    A,#0101B ; EIR←0101B
XCH  A,EIR
EICLR IL,111111B ; EIF←1
```

Example 2: To set the EIF to "1", and to clear the interrupt latches except ISIO.

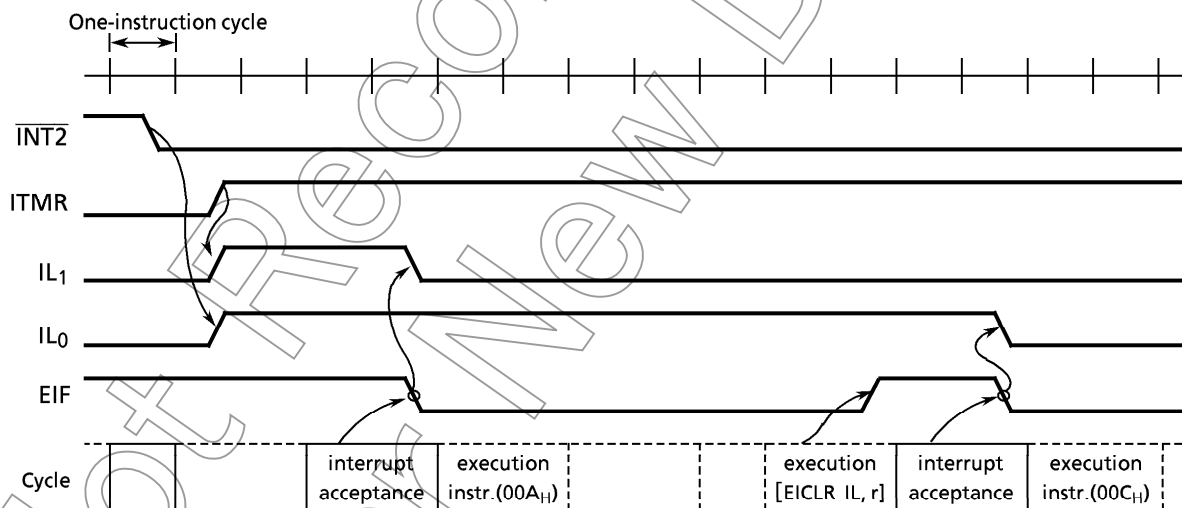
```
EICLR IL,010000B ; EIF←1, IL0←0, IL2 - IL5←0
```

## 2.8.2 Interrupt Processing

An interrupt request is held until the interrupt is accepted or the IL is cleared by the reset or the interrupt latch operation instruction. The interrupt acknowledge processing is performed in 2 instruction cycles after the end of the current instruction execution (or after the timer/counter processing if any). The interrupt service program terminates upon execution of the interrupt return instruction [RETI].

The interrupt acknowledge processing consists of the following sequence:

- ① The contents of the program counter and the flags are saved on the stack.
- ② The interrupt entry address corresponding to the interrupt source is set to the program counter.
- ③ The status flag is set to "1".
- ④ The EIF is cleared to "0", temporarily disabling the acceptance of subsequent interrupts.
- ⑤ The interrupt latch for the accepted interrupt source is cleared to "0".
- ⑥ The instruction stored at the interrupt entry address is executed. (Generally, in the program memory space at the interrupt entry address, the branch instruction to each interrupt processing program is stored.)



Notes 1: It is assumed that there is no other interrupt request and  $EIR = 0011_B$ .

Notes 2: The value  $r$  in the  $[EICLR\ IL, r]$  instruction is assumed as  $111111_B$ .

Notes 3:    denotes the execution of an instruction.

Figure 2-22. Interrupt Timing chart (Example)

To perform the multi-interrupt, the EIF is set to "1" in the interrupt service program, and the acceptable interrupt source is selected by the EIR. However, for the INT1 interrupt, the interrupt service is disabled under software control because it is not disabled by the EIR.

Example: The INT1 interrupt service is disabled under software control (Bit 0 of RAM [05H] are assigned to the disabling switch of interrupt service).

```
PINT1: TEST 05H,0 ; Skips if RAM [05H] 0 is "1"
        B    SINT1
        RETI
SINT1:  :
```

The interrupt return instruction [RETI] performs the following operations:

- ① Restores the contents of the program counter and the flags from the stack.
- ② Sets the EIF to "1" to provide the interrupt enable state again.

*Note: When the time required for interrupt series is longer than that for service program is executed without executing the main program.*

In the interrupt processing, the program counter and flags are automatically saved or restored but the accumulator and other registers are not. If it is necessary to save or restore them, it must be performed by program as shown in the following example. To perform the multi-interrupt, the saving RAM area never be overlapped.

Example: To save and restore the accumulator and HL register pair.

```
XCH HL, GSAV1 ; RAM [GSAV1] ↔ HL
XCH A, GSAV1+2 ; RAM [GSAV1+2] ↔ Acc
```

*Note: The lower 2 bits of GSAV1 should be "0's".*

### 2.8.3 External Interrupt

When an external interrupt (INT1 or INT2) occurs, the interrupt latch is set at the falling edge of the corresponding pin input (INT1 or INT2). The external interrupt input is the hysteresis type, each of high and low level time requires 2 or more instruction cycles for a correct interrupt operation.

The INT1 interrupt cannot be disabled by the EIR, so that it is always accepted in the interrupt enable state (EIF = "1"). Therefore, INT1 is used for an interrupt with high priority such as an emergency interrupt. When HOLD (INT1) pin is used for the I/O port, the INT1 interrupt occurs at the falling edge of the pin input, so that the interrupt return [RETI] instruction must be stored at the interrupt entry address to perform dummy interrupt processing.

The INT2 interrupt can be enabled / disabled by the EIR.

When R80 (INT2) pin is used as the I/O port, the INT2 interrupt occurs at the falling edge of the pin input.

However the interrupt request is not accepted by clearing bit 0 of the EIR to "0".

### 2.9 Reset Function

When the  $\overline{\text{RESET}}$  pin is held to the low level for three or more instruction cycles when the power voltage is within the operating voltage range and the oscillation is stable, reset is performed to initialize the internal states.

When the  $\overline{\text{RESET}}$  pin input goes high, the reset is cleared and program execution starts from address 000<sub>H</sub>. The  $\overline{\text{RESET}}$  pin is a hysteresis input with a pull-up resistor (220 k $\Omega$  typ.). Externally attaching a capacitor and a diode implement a simplified power-on-reset operation.

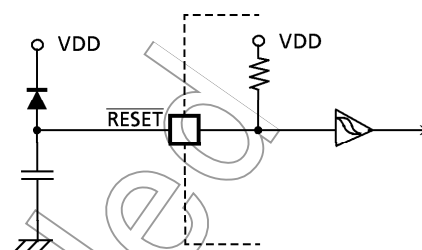


Figure 2-23. Simplified Power-On-Reset

Table 2-3. Initialization of Internal States by Reset Operation

On-chip hardware	Initial value	On-chip hardware	Initial value
Program counter (PC)	000 <sub>H</sub>		
Status flag (SF)	1	Output latch (I/O ports or Output ports)	Refer to "INPUT / OUTPUT Circuitry".
Interrupt enable master flip-flop (EIF)	0		
Interrupt enable register (EIR)	0 <sub>H</sub>		
Interrupt latch (IL)	"0"	Command register	Refer to the description of each relative command register.
Interval timer	"0"		

Not Recommended for New Design

### 3. Peripheral Hardware Function

#### 3.1 Ports

The data transfer with the external circuit and the command / status / data transfer with the internal circuit are performed by using the I/O instructions (13 kinds). There are 4 types of ports:

- ① I/O port ; Data transfer with external circuit
- ② Command register ; Control of internal circuit
- ③ Status register ; Reading the status signal from internal circuit
- ④ Data register ; Data transfer with internal circuit

These ports are assigned with port addresses (00H through 1FH). Each port is selected by specifying its port address in an I/O instruction. Table 3-1 lists the port address assignments and the I/O instructions that can access the ports.

##### 3.1.1 I/O Timing

###### (1) Input timing

External data is read from an input port or an I/O port in the S3 state of the second instruction cycle during the input instruction (2-cycle instruction) execution. This timing cannot be recognized from the outside, so that the transient input such as chattering must be processed by program.

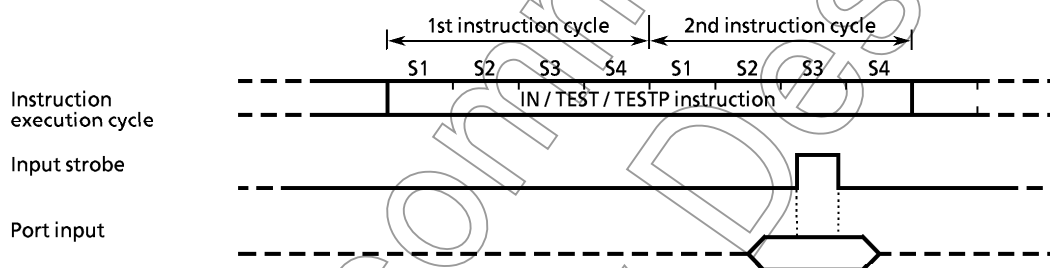


Figure 3-1. Input Timing

###### (2) Output timing

Data is output to an output port or an I/O port in the S4 state of the second instruction cycle during the output instruction (2-cycle instruction) execution.

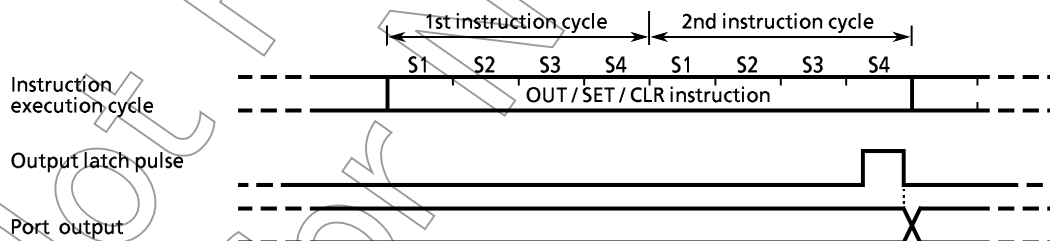


Figure 3-2. Output Timing

##### 3.1.2 I/O Ports

The TMP47C101/201 have 4 I/O ports (11 pins) each as follows:

- ① R4, R5 ; 4-bit input / output
- ② R8 ; 2-bit input / output (shared with external interrupt input and timer / counter input)
- ③ KE ; 1-bit sense input (shared with hold request / release signal input)

Each output port contains a latch, which holds the output data. The input ports have no latch; therefore, it is desired to hold data externally until it is read or read twice or more before processing it.

Table 3-1. Port Address Assignments and Available I/O Instructions

Port address (**)	Port		Input / Output instructions							
	Input (IP**)	Output (OP**)	IN %p, A IN %p, @HL	OUT A, %p OUT @HL, %p	OUT #k, %p OUTB @HL	SET %p, b CLR %p, b	TEST %p, b TESTP %p, b	SET @L CLR @L TEST @L		
00H	---	---	---	---	---	---	---	---	---	
01	---	---	---	---	---	---	---	---	---	
02	---	---	---	---	---	---	---	---	---	
03	---	---	---	---	---	---	---	---	---	
04	R4 input port	---	---	---	---	---	---	---	---	
05	R5 input port	---	---	---	---	---	---	---	---	
06	---	---	---	---	---	---	---	---	---	
07	---	---	---	---	---	---	---	---	---	
08	R8 input port	---	---	---	---	---	---	---	---	
09	---	---	---	---	---	---	---	---	---	
0A	---	---	---	---	---	---	---	---	---	
0B	---	---	---	---	---	---	---	---	---	
0C	---	---	---	---	---	---	---	---	---	
0D	---	---	---	---	---	---	---	---	---	
0E	HOLD status	---	---	---	---	---	---	---	---	
0F	---	---	---	---	---	---	---	---	---	
10H	Undefined	Hold operating mode control	---	---	---	---	---	---	---	
11	Undefined	---	---	---	---	---	---	---	---	
12	Undefined	---	---	---	---	---	---	---	---	
13	Undefined	---	---	---	---	---	---	---	---	
14	Undefined	---	---	---	---	---	---	---	---	
15	Undefined	---	---	---	---	---	---	---	---	
16	Undefined	---	---	---	---	---	---	---	---	
17	Undefined	---	---	---	---	---	---	---	---	
18	Undefined	---	---	---	---	---	---	---	---	
19	Undefined	Interval Timer interrupt control	---	---	---	---	---	---	---	
1A	Undefined	---	---	---	---	---	---	---	---	
1B	Undefined	---	---	---	---	---	---	---	---	
1C	Undefined	Timer / Counter 1 control	---	---	---	---	---	---	---	
1D	Undefined	Timer / Counter 2 control	---	---	---	---	---	---	---	
1E	Undefined	---	---	---	---	---	---	---	---	
1F	Undefined	---	---	---	---	---	---	---	---	

Note: " --- " means the reserved state. Unavailable for the user programs.

(1) Ports R4 (R43 to R40), R5 (R53 to 50)

These ports are 4-bit I/O ports with a latch. When used as an input port, the latch must be set to "1". The latch is initialized to "1" during reset. Port R4 can directly drive LEDs. These 2 ports (8 pins) can be set, cleared, and tested for each bit as specified by L register indirect addressing bit manipulation instructions ([SET @L], [CLR @L], and [TEST @L]). Table 3-2 lists the pins (I/O ports) that correspond to the contents of L register.

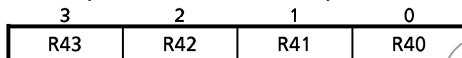
Example: To clear R43 output as specified by the L register indirect addressing bit manipulation instruction.

```
LD      L, #0011B      ; Sets R43 pin address to L register
CLR    @L              ; R43←0
```

Table 3-2. Relationship between L register contents and I/O port bits

L register				PIN	L register				PIN
3	2	1	0		3	2	1	0	
0	0	0	0	R40	0	1	0	0	R50
0	0	0	1	R41	0	1	0	1	R51
0	0	1	0	R42	0	1	1	0	R52
0	0	1	1	R43	0	1	1	1	R53

Port R4 (Port address: OP04 / IP04)



Port R5 (Port address: OP05 / IP05)

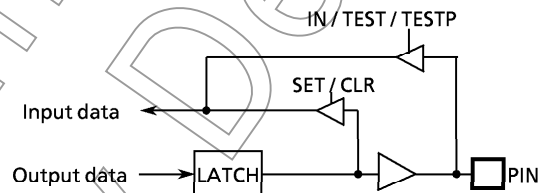
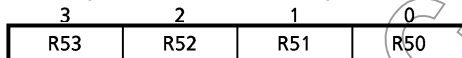


Figure 3-3. Ports R4, R5

(2) Port R8 (R83 to R80) and HOLD (INT1) pin

a. R80, R81

Port R81/R80 are 2-bit I/O ports with a latch. When used as an input port, the latch must be set to "1". The latch is initialized to "1" during reset.

Port R81/R80 are shared with the external interrupt input pin and the timer / counter input pin. To use these ports for one of these functional pins, the latch should be set to "1". To use it for an ordinary I/O port, the acceptance of external interrupt should be disabled or the event counter/pulse width measurement modes of the timer/counter should be disabled.

b. R83

Pin R83 does not exist. It is capable of writing/reading, because pin R83 has the data latch.

c. HOLD (INT1, R82, KE0)

This pin is used as the hold request/release signal input pin in HOLD mode. Additionally, it is also used as an external interrupt 1 input, R82 input/output and KE0 sense input. R82 input/output is assigned to bit 2 of the port address OP08/1P08 and KE0 input is assigned to bit 0 of IPOE. KE0 input is processed as the data with inverted polarity. For example, if an input instruction is executed with the pin on the high level, "0" is read. The bit1 to bit3 of port KE, an undefined value is read when an input instruction is executed.

Note: When  $\overline{\text{HOLD}}$  (INT1) pin is used for an I/O port, external interrupt 1 occurs upon detection of the falling edge of pin input, and if the interrupt enable master flip-flop is enabled, the interrupt request is always accepted. So that a dummy interrupt processing must be performed (only the interrupt return instruction [RETI] is executed).

With R80 (INT2) pin, external interrupt 2 occurs like  $\overline{\text{HOLD}}$  (INT1) in but bit 0 of the interrupt enable register (EIR0) is only kept at "0", not accepting the interrupt request.

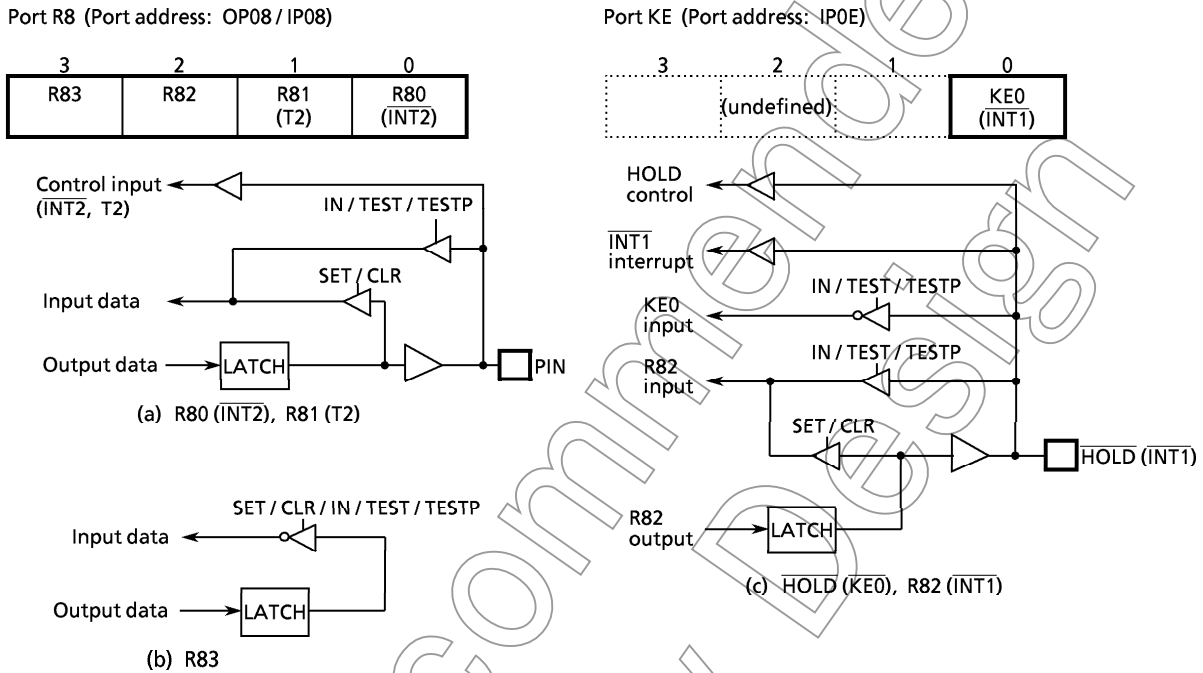


Figure 3-4. Port R8 and  $\overline{\text{HOLD}}$  (INT1) Pin

### 3.2 Interval Timer

The interval timer can be used to generate an interrupt with a fixed frequency. Internal time interrupt is control by the command register (OP19). An interval timer interrupt is generated at the first rising edge of the binary counters output after the command has been set. The interval timer is not cleared by command, so that the first interrupt may occur earlier than the preset interrupt period.

Example: To set the interval timer interrupt frequency to  $f_c/2^{12}$  [Hz].

```
LD    A, #0110B
OUT   A, %OP19
```

Interval Timer interrupt command register (Port address: OP19) (Initial value: 0000)

3	2	1	0
TMRE		TMRF	

TMRE	Interrupt Enable/Disable
------	--------------------------

- 00: Stopped
- 01: Enable
- 1\*: (Unused)

Note: \* ; Don't care

TMRE	Interrupt frequency
------	---------------------

Example: At  $f_c = 4.19$  MHz

00:	$f_c/2^{10}$ [Hz]	4096 [Hz]
01:	$f_c/2^{11}$	2048
10:	$f_c/2^{12}$	1024
11:	$f_c/2^{13}$	512

Figure 3-5. Command Register



### 3.3 Timer / Counters (TC1, TC2)

The TMP47C101/201 contain two 12-bit timer / counters (TC1, TC2). RAM addresses are assigned to the count register in unit of 4 bits, permitting the initial value setting and counter reading through the RAM manipulation instruction. When the timer / counter is not used, the mode selection may be set to "stopped" to use the RAM at the address corresponding to the timer / counter for storing the ordinary user-processed data.

RAM address	MSB Timer/Counter 1 (TC1) LSB			MSB Timer/Counter 2 (TC2) LSB		
	TC1 <sub>H</sub>	TC1 <sub>M</sub>	TC1 <sub>L</sub>	TC2 <sub>H</sub>	TC2 <sub>M</sub>	TC2 <sub>L</sub>
TMP47C201	(76 <sub>H</sub> )	(75 <sub>H</sub> )	(74 <sub>H</sub> )	(7A <sub>H</sub> )	(79 <sub>H</sub> )	(78 <sub>H</sub> )
TMP47C101	(36 <sub>H</sub> )	(35 <sub>H</sub> )	(34 <sub>H</sub> )	(3A <sub>H</sub> )	(39 <sub>H</sub> )	(38 <sub>H</sub> )

Figure 3-6. The Count registers of the Timer/Counters (TC1, TC2)

#### 3.3.1 Functions of Timer / Counters

The timer / counters provide the following functions:

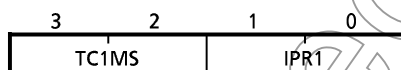
- ① Event counter
- ② Programmable timer
- ③ Pulse width measurement

Timer/counter 1 is available programmable timer mode only, because there is no Timer / counter 1 external input pin (T1).

#### 3.3.2 Control of Timer / Counters

The timer / counters are controlled by the command registers. The command register is accessed as port address OP1C for TC1 and port address OP1D for TC2. These registers are initialized to "0" during reset.

Timer / Counter 1 control command register  
(Port address: OP1C) (Initial value: 0000)



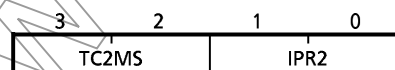
TC1MS	Mode selection
-------	----------------

- 00: Stopped
- 01: (Unused)
- 10: Timer mode
- 11: (Unused)

IPR1	Internal pulse rate selection
------	-------------------------------

- Example: At  $f_c = 4.19$  MHz
- 00:  $f_c/2^{10}$  [Hz] ..... 4096 [Hz]
  - 01:  $f_c/2^{14}$  ..... 256
  - 10:  $f_c/2^{18}$  ..... 16
  - 11:  $f_c/2^{22}$  ..... 1

Timer / Counter 2 control command register  
(Port address: OP1D) (Initial value: 0000)



TC2MS	Mode selection
-------	----------------

- 00: Stopped
- 01: Event counter mode
- 10: Timer mode
- 11: Pulse width measurement mode

IPR2	Internal pulse rate selection
------	-------------------------------

- Example: At  $f_c = 4.19$  MHz
- 00:  $f_c/2^{10}$  [Hz] ..... 4096 [Hz]
  - 01:  $f_c/2^{14}$  ..... 256
  - 10:  $f_c/2^{18}$  ..... 16
  - 11:  $f_c/2^{22}$  ..... 1

Note:  $f_c$ ; Basic clock frequency [Hz]

Figure 3-7. Timer / Counter Control Command Registers

The timer / counter increments at the rising edge of each count pulse. Counting starts with the first rising edge of the count pulse generated after the command has been set. Count operation is performed in one instruction cycle after the current instruction execution, during which the execution of a next instruction and the acceptance of an interrupt are delayed. If counting is requested by both TC1 and TC2 simultaneously, the request by TC1 is preferred. The request by TC2 is accepted in the next instruction cycle. Therefore, during count operation, the apparent instruction execution speed drops as counting occurs more frequently.

The timer / counter causes an interrupt upon occurrence of an overflow (a transition of the count value from FFF<sub>H</sub> to 000<sub>H</sub>). If the timer / counter is in the interrupt enabled state and the overflow interrupt is accepted immediately after its occurrence, the interrupt is processed in the sequence shown in Figure 3-8. Note that counting continues if there is a count request after overflow occurrence.

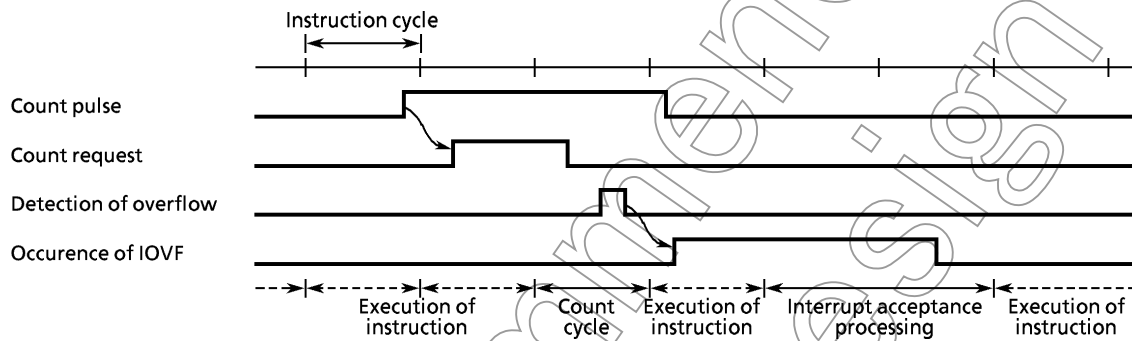


Figure 3-8. Timer / Counter Overflow Interrupt Timing

(1) Event counter mode

In the event counter mode, the timer / counter increments at each rising edge of the external pin (T2) input. T1 and T2 pins are also used as the R83 and R81 pins. To use these pins as the T/C input, set the output latch of R83 and R81 to "1". At reset, the output latch is initialized to "1". The maximum applied frequency of the external pin input is  $f_c/32$ . The apparent instruction execution speed drops most to  $(1/3) \times 100 = 33\%$  when TC2 is operated at the maximum applied frequency because the count operation is inserted once every 4 instruction cycles. For example, the instruction execution speed of  $2 \mu s$  drops to  $2.66 \mu s$ .

Example: To operate TC2 in the event counter mode

```
LD    A, #0100B ; OP1D←01**B
OUT   A, %OP1D
```

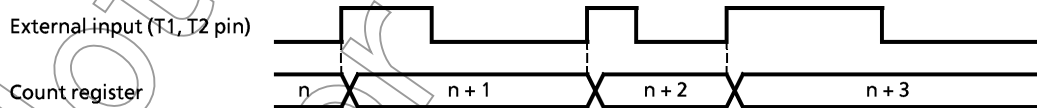


Figure 3-9. Event Counter Mode Timing chart

(2) Timer mode

In the timer mode, the timer / counter increments at the rising edge of the internal pulse generated from the interval timer. One of 4 internal pulse rates can be selected by the command register. The selected rate can be initially set to the timer / counter to generate an overflow interrupt in order to create a desired time interval. In the timer mode, R81 (T2) pin provide the ordinary I/O ports. When an internal pulse rate of  $fc/2^{10}$  is used, a count operation is inserted once every 128 instruction cycles, so that the apparent instruction execution speed drops by  $(1/127) \times 100 = 0.8\%$ . For example, the instruction execution speed of  $2 \mu s$  drops to  $2.016 \mu s$ . In the timer mode, R81 (T2) pin provide the ordinary I/O port.

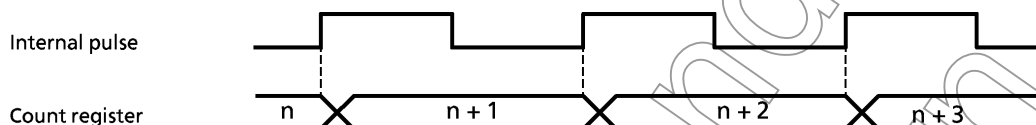


Figure 3-10. Timer Mode Timing chart

Example: To generate an overflow interrupt (at  $fc = 4 \text{ MHz}$ ) by the TC1 after 100 ms.

```
LD HL, #0F4H ; TC1←E79H (setting of the count register)
ST #9, @HL+
ST #7, @HL+
ST #0EH, @HL+
LD A, #1000B ; OP1C←1000B
OUT A, %OP1C
LD A, #0100B ; EIR←0100B (enables interrupt)
XCH A, EIR
EICLR IL, 110111B ; EIF←-1, IL3←0
```

\* Calculating the preset value of the count register

The preset value of the count register is obtained from the following relation:

$$2^{12} - (\text{interrupt setting time}) \times (\text{internal pulse rate})$$

For example, to generate an overflow interrupt after 100 ms at  $fc = 4 \text{ MHz}$  with the internal pulse rate of  $fc/2^{10}$ , set the following value to the count register as the preset value:

$$2^{12} - (100 \times 10^{-3}) \times (4 \times 10^6 / 2^{10}) = 3705 = E79_H$$

\* The apparent execution rate is calculated as following.

$$1 \div \left\{ \frac{(\text{Fundamental clock frequency}) / 8}{(\text{Internal pulse rate})} - 1 \right\} \times 100 [\%]$$

Table 3-3. Internal Pulse Rate Selection

Internal pulse rate	Max. setting time	Example: At $fc = 4.194304 \text{ MHz}$	
		Internal pulse rate	Max. setting time
$fc/2^{10}$ [Hz]	$2^{22}/fc$ [s]	4096 [Hz]	1 [s]
$fc/2^{14}$	$2^{26}/fc$	256	16
$fc/2^{18}$	$2^{30}/fc$	16	256
$fc/2^{22}$	$2^{34}/fc$	1	4096

(3) Pulse width measurement mode

In the pulse width measurement mode, the timer / counter increments with the pulse obtained by sampling the external pin (T2) by the internal pulse. As shown in Figure 3-11, the timer / counter increments only while the external pin input is high. The maximum applied frequency to the external pin input must be one that is enough for analyzing the count value. Normally, a frequency sufficient slower than the internal pulse rate setting is applied to the external pin.

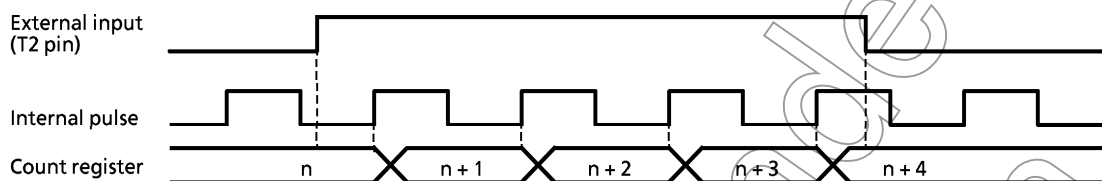


Figure 3-11. Pulse Width Measurement Mode Timing chart

Not Recommended for New Design

### Port Condition by RESET Operation

The transition of Port condition by RESET operation is shown as below.

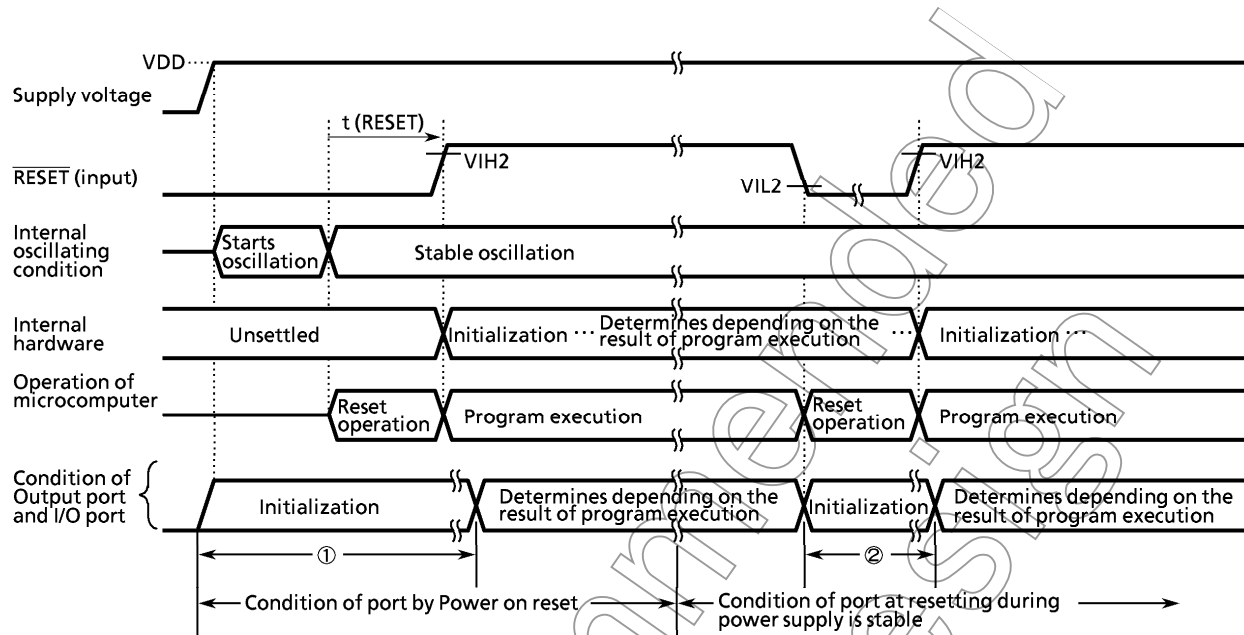


Figure 3-12. Port condition by Reset operation

Note 1:  $t(\text{RESET}) > 24/f_c$

Note 2: VIL2: Stands for low level input voltage of RESET pin.

VIH2: Stands for high level input voltage of RESET pin.

Note 3: The term from power on reset to the time program is executed (above ①) and also the term starting from reset operation during power supply is stable to the program is executed (above ②), the port is on the initial condition. The initial condition of Port differs from I/O circuitry by each port, refer to the section of "INPUT/OUTPUT CIRCUITRY". Thus, when using Port as an output pin, in the term of the above ① and ②, the voltage level on the signal that connects with the output pin of Port to the input pin of external application circuitry should be determined by the external circuitry such as pull-up resistor and / or pull-down resistor.

Input / Output Circuitry

The input / output circuitries of the TMP47C101/201 are shown as below, any one of the circuitries can be chosen by a code (FA, FB, FD or FE) as a mask option.

(1) Control pins

Control Pin	I/O	Circuitry and Code	Remarks
XIN XOUT	Input Output		Resonator connecting pins $R = 1\text{ k}\Omega$ (typ.) $R_f = 1.5\text{ M}\Omega$ (typ.) $R_O = 2\text{ k}\Omega$ (typ.)
$\overline{\text{RESET}}$	Input		Hysteresis input Pull-up resistor $R_{IN} = 220\text{ k}\Omega$ (typ.) $R = 1\text{ k}\Omega$ (typ.)
$\overline{\text{HOLD}}$ (INT1)	Input (I/O)		Sink open drain output Initial "Hi-Z" Hysteresis input $R = 1\text{ k}\Omega$ (typ.)

(2) I/O ports

Port	I/O	Input / Output Circuitry and Code	Remarks
R4	I/O		Sink open drain output Initial "Hi-Z" $R = 1\text{ k}\Omega$ (typ.)
R5	I/O		Sink open drain or push-pull output $R = 1\text{ k}\Omega$ (typ.)
R80 R81	I/O		Sink open drain output Initial "Hi-Z" Hysteresis input $R = 1\text{ k}\Omega$ (typ.)

## Electrical Characteristics

Absolute Maximum Ratings ( $V_{SS} = 0\text{ V}$ )

Parameter	Symbol	Pins	Ratings	Unit
Supply Voltage	$V_{DD}$		-0.3 to 6.5	V
Input Voltage	$V_{IN}$		-0.3 to $V_{DD} + 0.3$	V
Output Voltage	$V_{OUT}$		-0.3 to $V_{DD} + 0.3$	V
Output Current (Per 1 pin)	$I_{OUT1}$	Port R4	30	mA
	$I_{OUT2}$	Ports R5, R8, HOLD	3.2	
Output Current (Total)	$\Sigma I_{OUT}$	Port R4	60	mA
Power Dissipation [ $T_{opr} = 70^\circ\text{C}$ ]	PD	DIP	300	mW
		SOP	180	
Soldering Temperature (time)	$T_{sld}$		260 (10s)	$^\circ\text{C}$
Storage Temperature	$T_{stg}$		-55 to 125	$^\circ\text{C}$
Operating Temperature	$T_{opr}$		-30 to 70	$^\circ\text{C}$

Note: The absolute maximum ratings are rated values which must not be exceeded during operation, even for an instant. Any one of the ratings must not be exceeded. If any absolute maximum rating is exceeded, a device may break down or its performance may be degraded, causing it to catch fire or explode resulting in injury to the user. Thus, when designing products which include this device, ensure that no absolute maximum rating value will ever be exceeded.

Recommended Operating Conditions ( $V_{SS} = 0\text{ V}$ ,  $T_{opr} = -30\text{ to }70^\circ\text{C}$ )

Parameter	Symbol	Pins	Conditions	Min	Max	Unit	
Supply Voltage	$V_{DD}$	Normal mode	Crystal or ceramic	$f_c = 6.0\text{ MHz}$	4.5	5.5	V
				$f_c = 4.2\text{ MHz}$	2.7		
			RC	$f_c = 2.5\text{ MHz}$	2.2		
		HOLD mode	-	-	2.0		
Input High Voltage	$V_{IH1}$	Except Hysteresis Input	In the normal operating area	$V_{DD} \times 0.7$	$V_{DD}$	V	
	$V_{IH2}$	Hysteresis Input		$V_{DD} \times 0.75$			
	$V_{IH3}$			In the HOLD mode			$V_{DD} \times 0.9$
Input Low Voltage	$V_{IL1}$	Except Hysteresis Input	In the normal operating area	0	$V_{DD} \times 0.3$	V	
	$V_{IL2}$	Hysteresis Input			$V_{DD} \times 0.25$		
	$V_{IL3}$				In the HOLD mode		$V_{DD} \times 0.1$
Clock Frequency	$f_c$	XIN, XOUT	$V_{DD} = 4.5\text{ to }5.5\text{ V}$	0.4	6.0	MHz	
			$V_{DD} = 2.7\text{ to }5.5\text{ V}$		4.2		
			$V_{DD} = 2.2\text{ to }5.5\text{ V (RC)}$		2.5		

Note: The recommended operating conditions for a device are operating conditions under which it can be guaranteed that the device will operate as specified. If the device is used under operating conditions other than the recommended operating conditions (supply voltage, operating temperature range, specified AC/DC values etc.), malfunction may occur. Thus, when designing products which include this device, ensure that the recommended operating conditions for the device are always adhered to.

## DC Characteristics

(V<sub>SS</sub> = 0 V, T<sub>opr</sub> = -30 to 70°C)

Parameter	Symbol	Pins	Conditions	Min	Typ.	Max	Unit
Hysteresis Voltage	V <sub>HS</sub>	Hysteresis Input		-	0.7	-	V
Input Current	I <sub>IN1</sub>	RESET, HOLD	V <sub>DD</sub> = 5.5 V, V <sub>IN</sub> = 5.5 V / 0 V	-	-	±2	μA
	I <sub>IN2</sub>	Open drain output ports					
Input Resistance	R <sub>IN</sub>	RESET		100	220	450	kΩ
Input Low Current	I <sub>IL</sub>	Push-pull output ports	V <sub>DD</sub> = 5.5 V, V <sub>IN</sub> = 0.4 V	-	-	-2	mA
Output Leakage Current	I <sub>LO</sub>	Open drain output ports	V <sub>DD</sub> = 5.5 V, V <sub>OUT</sub> = 5.5 V	-	-	2	μA
Output High Voltage	V <sub>OH</sub>	Push-pull output ports	V <sub>DD</sub> = 4.5 V, I <sub>OH</sub> = -200 μA	2.4	-	-	V
			V <sub>DD</sub> = 2.2 V, I <sub>OH</sub> = -5 μA	2.0	-	-	
Output Low Voltage	V <sub>OL</sub>	Except XOUT and port R4	V <sub>DD</sub> = 4.5 V, I <sub>OL</sub> = 1.6 mA	-	-	0.4	V
			V <sub>DD</sub> = 2.2 V, I <sub>OL</sub> = 20 μA	-	-	0.1	
Output Low Current	I <sub>OL1</sub>	Port R4	V <sub>DD</sub> = 4.5 V, V <sub>OL</sub> = 1.0 V	-	20	-	mA
Supply Current (in the Normal operating mode)	I <sub>DD</sub>		V <sub>DD</sub> = 5.5 V, f <sub>c</sub> = 4 MHz	-	2	4	mA
			V <sub>DD</sub> = 3.0 V, f <sub>c</sub> = 4 MHz	-	1	2	
			V <sub>DD</sub> = 3.0 V, f <sub>c</sub> = 400 kHz	-	0.5	1	
Supply Current (in the HOLD operating mode)	I <sub>DDH</sub>		V <sub>DD</sub> = 5.5 V	-	0.5	10	μA

Note 1: Typ. values show those at T<sub>opr</sub> = 25°C, V<sub>DD</sub> = 5 V.

Note 2: Input Current I<sub>IN1</sub>: The current through resistor is not included.

Note 3: Supply Current: V<sub>IN</sub> = 5.3 V / 0.2 V (V<sub>DD</sub> = 5.5 V) or 2.8 V / 0.2 V (V<sub>DD</sub> = 3.0 V)



AC Characteristics

( $V_{SS} = 0\text{ V}$ ,  $T_{opr} = -30\text{ to }70^\circ\text{C}$ )

Parameter	Symbol	Conditions	Min	Typ.	Max	Unit
Instruction Cycle Time	t <sub>cy</sub>	$V_{DD} = 4.5\text{ to }5.5\text{ V}$	1.3	-	20	$\mu\text{s}$
		$V_{DD} = 2.7\text{ to }5.5\text{ V}$	1.9			
		$V_{DD} = 2.2\text{ to }5.5\text{ V}$	3.2			
High level Clock pulse Width	t <sub>WCH</sub>	For external clock operation	$V_{DD} \geq 2.7\text{ V}$	-	-	ns
Low level Clock pulse Width	t <sub>WCL</sub>		$V_{DD} < 2.7\text{ V}$			
			$V_{DD} \geq 2.7\text{ V}$	80		
			$V_{DD} < 2.7\text{ V}$	160		
			$V_{DD} \geq 2.7\text{ V}$	80		
			$V_{DD} < 2.7\text{ V}$	160		

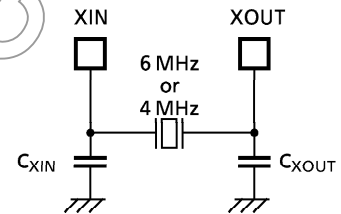
Recommended Oscillating Conditions

( $V_{SS} = 0\text{ V}$ ,  $V_{DD} = 2.7\text{ to }5.5\text{ V}$ ,  $T_{opr} = -30\text{ to }70^\circ\text{C}$ )

(1) 6 MHz

Ceramic Resonator

- CSA6.00MGU (MURATA)  $C_{XIN} = C_{XOUT} = 30\text{ pF}$
- KBR-6.00MS (KYOCERA)  $C_{XIN} = C_{XOUT} = 30\text{ pF}$
- EFOEC6004A4 (NATIONAL)  $C_{XIN} = C_{XOUT} = 30\text{ pF}$



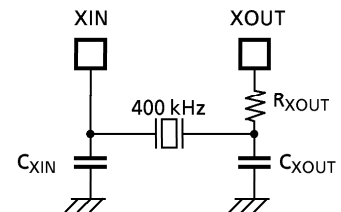
(2) 4 MHz

Ceramic Resonator

- CSA4.00MG (MURATA)  $C_{XIN} = C_{XOUT} = 30\text{ pF}$
- KBR-4.00MS (KYOCERA)  $C_{XIN} = C_{XOUT} = 30\text{ pF}$
- EFOEC4004A4 (NATIONAL)  $C_{XIN} = C_{XOUT} = 30\text{ pF}$

Crystal Oscillator

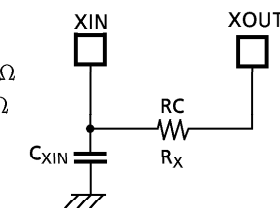
- 204B-6F 4.0000 (TOYOCOM)  $C_{XIN} = C_{XOUT} = 20\text{ pF}$



(3) 400 kHz

Ceramic Resonator

- CSB400B (MURATA)  $C_{XIN} = C_{XOUT} = 220\text{ pF}$ ,  $R_{XOUT} = 6.8\text{ k}\Omega$
- KBR-400B (KYOCERA)  $C_{XIN} = C_{XOUT} = 100\text{ pF}$ ,  $R_{XOUT} = 10\text{ k}\Omega$
- EFOA400K04B (NATIONAL)  $C_{XIN} = C_{XOUT} = 470\text{ pF}$ ,  $R_{XOUT} = 0\ \Omega$



(4) RC Oscillation ( $V_{SS} = 0\text{ V}$ ,  $V_{DD} = 5.0\text{ V}$ ,  $T_{opr} = 25^\circ\text{C}$ )

- 2 MHz (Typ.)  $C_{XIN} = 33\text{ pF}$ ,  $R_X = 10\text{ k}\Omega$
- 400 kHz (Typ.)  $C_{XIN} = 100\text{ pF}$ ,  $R_X = 30\text{ k}\Omega$

Typical Characteristics

