

NOTES:

1. TO BE USED WITH #22-#28 AWG STRANDED WIRE WITH (1.35)/.053 DIA. MAX. INSULATION.
2. STANDARD PACKAGING FOR GROUPED HOUSING ASSEMBLIES PER PK-70873-0215.
3. TERMINALS ARE SHOWN PRE-LOADED INTO HOUSING AND LOCKED INTO THE FIRST ROW OF WINDOWS.
4. ALL DIMENSIONS ARE REFERENCE ONLY.
5. SEE DWG. SD-70066-**** FOR OPTIONAL HOUSING DETAILS.
6. REFER TO PRODUCT SPECIFICATION PS-70400.
7. FOR ACCOUNTING PURPOSES ONLY, ONE EDP ORDER NUMBER REPRESENTS ONLY ONE HOUSING OF ANY GIVEN CHAINED COMBINATION OF CKT. SIZES.

PLATING CODES:

- 164 - .000150 MIN. TIN/LEAD PLATE OVER NICKEL PLATE.
- 571 - .000015 MIN. GOLD PLATE IN SELECTED AREA, .000075 MIN. TIN/LEAD PLATE IN SELECTED AREA, OVER NICKEL PLATE OVERALL.
- 574 - .000030 MIN. GOLD PLATE IN SELECTED AREA, .000075 MIN. TIN/LEAD PLATE IN SELECTED AREA, OVER NICKEL PLATE OVERALL.
- P164 - .000150 MIN. TIN/LEAD PLATE OVER MIN. NICKEL PLATE. (PRE-PLATE)

PLATING CODE (STRIPE ON CARRIER STRIP)

| PLATING | COLOR |
|---------|--------|
| 164 | NONE |
| 571 | YELLOW |
| 574 | RED |
| P164 | NONE |

I.D. SLOT/WIRE GAUGE CHART

| SLOT I.D. | SLOT SIZE | WIRE GAUGE |
|-----------|--------------------------|-------------------|
| A | .015 ±.002/(0.38 ±0.05) | 24 AWG - STRANDED |
| B | .011 ±.002/(0.28 ±0.05) | 26 AWG - STRANDED |
| C | .0075 ±.002/(0.19 ±0.05) | 28 AWG - STRANDED |
| D | .019 ±.002/(0.48 ±0.05) | 22 AWG - STRANDED |

| | | | |
|------|--|------|--|
| E9 | ADD -7713,7723 ECR UDT2000-1190 KMS 05/30/2000 | E6 | ADD CARRIER CHAMF ECN #UDT1998-0280 05/20/98 LMGRATH |
| E8 | SHT 4, ADD: P/N-0074 UDT 2000-0605 GIZOWSKI 12-29-99 | E5 | ADDED PARTS ECR #U7-0423 MCFARLAN 96-10-16 |
| E7 | REL-0071, 72, 73 UDT 1999-0371 SCHAFER 11-13-9 | E4 | ADDED ENG* -0063 ECR# U7-0283 MCFARLAN 96-9-17 |
| LTR. | REVISIONS | LTR. | REVISIONS |

DIMENSIONS SHOWN (METRIC) INCH
UNLESS OTHERWISE SPECIFIED
TOLERANCES: ANGULAR ± 1/2°

| 3 PLACE ± | INCH | METRIC |
|-----------|------|--------|
| 2 PLACE ± | | |
| 1 PLACE ± | | |

DRAFT WHERE APPLICABLE MUST REMAIN WITHIN DIMENSIONS

DRW: MGB CHK'D: MJM
APP'D: MJM SCALE: 4 : 1

▽ = 0 ▼ = 0 REVISE ONLY ON CAD SYSTEM

TITLE: ASSEMBLY, CONNECTOR BOX I.D. SINGLE ROW/.100 GRID GROUPED HOUSINGS

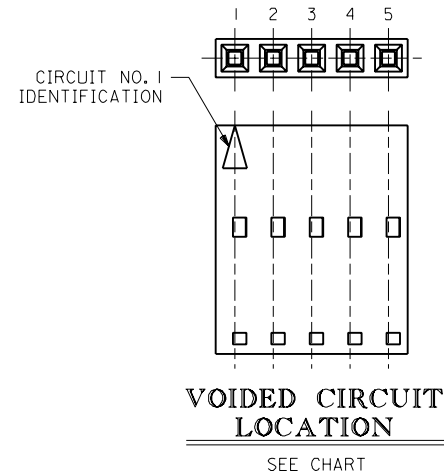
MOLEX INCORPORATED SHEET NO. DATE
LISLE, ILL. 60532 U.S.A. 1 OF 4 11/20/89

SEE CHART SDA-70977-****

FILE NAME: ST0977X1 THIS DRAWING CONTAINS INFORMATION THAT IS PROPRIETARY TO MOLEX INC. AND SHOULD NOT BE USED WITHOUT WRITTEN PERMISSION. DA C

ONE EDP NUMBER REPRESENTS ONE INDIVIDUAL HOUSING (SEE NOTE 6)

| EDP NUMBER | ENG. NUMBER | DIM. "A" (MAX.) | DIM. "B" (MAX.) | OPTION | CIRCUIT SIZE | NUMBER OF HOUSINGS IN TOTAL ASSEMBLY | VOIDED CIRCUIT LOCATION | PLATING | WIRE SIZE |
|-------------|--------------|--------------------|--------------------|--------|-----------------|---|----------------------------|---------|-----------|
| 014-60-7522 | A-70977-0051 | 1.599 (40.61) | .799 (20.29) | G | 8 | 2 | N/A | 164 | 24 AWG |
| 014-60-4035 | A-70977-0052 | .599 (15.21) | .299 (7.59) | A | 3 | 2 | N/A | 574 | 26 AWG |
| 014-60-7523 | A-70977-0053 | .599 (15.21) | .299 (7.59) | A | 3 | 2 | N/A | 164 | 26 AWG |
| 014-60-7122 | A-70977-0054 | 1.999 (50.77) | .199 (5.05) | A | 2 | 10 | N/A | 164 | 24 AWG |
| 014-60-7045 | A-70977-0055 | 1.599 (40.61) | .399 (10.13) | G | 4 | 4 | N/A | 164 | 28 AWG |
| 014-60-7533 | A-70977-0056 | 2.399 (60.93) | .299 (7.59) | C | 3 | 3 | N/A | 571 | 26 AWG |
| 014-60-7035 | A-70977-0057 | 1.999 (50.77) | .199 (5.05) | G | 2 | 10 | N/A | 164 | 28 AWG |
| 014-60-7543 | A-70977-0058 | 1.999 (50.77) | .499 (12.67) | A | 5 | 4 | N/A | 574 | 26 AWG |
| 014-60-7553 | A-70977-0059 | .999 (25.37) | .199 (5.05) | G | 2 | 5 | N/A | 571 | 24 AWG |
| 014-60-7563 | A-70977-0060 | 1.499 (38.07) | .299 (7.59) | G | 3 | 5 | N/A | 571 | 24 AWG |
| 014-60-7573 | A-70977-0061 | 1.199 (30.45) | .399 (10.13) | A | 4 | 3 | 2 | 571 | 26 AWG |
| 014-60-7583 | A-70977-0062 | 1.199 (30.45) | .399 (10.13) | G | 4 | 3 | N/A | 164 | 24 AWG |
| 014-60-7593 | A-70977-0063 | 1.999 (50.77) | .399 (10.13) | A | 4 | 5 | N/A | 571 | 26 AWG |
| 014-60-7603 | A-70977-0064 | .799 (20.21) | .199 (5.05) | G | 2 | 4 | N/A | 571 | 24 AWG |
| 014-60-7613 | A-70977-0065 | 1.199 (30.33) | .199 (5.05) | G | 2 | 6 | N/A | 571 | 24 AWG |
| 014-60-7623 | A-70977-0066 | 1.999 (50.55) | .199 (5.05) | G | 2 | 10 | N/A | 571 | 24 AWG |
| 014-60-7633 | A-70977-0067 | .899 (22.78) | .299 (7.59) | G | 3 | 3 | N/A | 571 | 24 AWG |
| 014-60-7643 | A-70977-0068 | 1.199 (30.38) | .299 (7.59) | G | 3 | 4 | N/A | 571 | 24 AWG |
| 014-60-7653 | A-70977-0069 | 1.799 (45.57) | .299 (7.59) | G | 3 | 6 | N/A | 571 | 24 AWG |
| 014-60-7663 | A-70977-0070 | 1.199 (30.33) | .199 (5.05) | G | 2 | 6 | N/A | 164 | 24 AWG |
| 014-60-7673 | A-70977-0071 | 1.799 (45.57) | .299 (7.59) | D | 3 | 6 | N/A | 571 | 24 AWG |
| 014-60-7683 | A-70977-0072 | 1.199 (30.38) | .299 (7.59) | D | 3 | 4 | N/A | 571 | 24 AWG |
| 014-60-7693 | A-70977-0073 | 1.199 (30.33) | .199 (5.05) | D | 2 | 6 | N/A | 571 | 24 AWG |
| 014-60-7703 | A-70977-0074 | .599 (15.21) | .299 (7.59) | G | 3 | 2 | N/A | 574 | 24 AWG |
| 014-60-7713 | A-70977-0075 | 2.999 (25.37) | .199 (5.05) | G | 2 | 15 | N/A | 571 | 24 AWG |
| 014-60-7723 | A-70977-0076 | 2.999 (38.07) | .299 (7.59) | G | 3 | 10 | N/A | 571 | 24 AWG |



| | |
|------|-------------|
| E5 | SEE SHEET I |
| E4 | SEE SHEET I |
| E3 | SEE SHEET I |
| E2 | SEE SHEET I |
| E1 | SEE SHEET I |
| E | SEE SHEET I |
| D | SEE SHEET I |
| LTR. | REVISIONS |

| | |
|---|----------------|
| DIMENSIONS SHOWN (METRIC) INCH | |
| UNLESS OTHERWISE SPECIFIED TOLERANCES: ANGULAR ± 1/2° | |
| 3 PLACE ± | INCH METRIC |
| 2 PLACE ± | ± |
| 1 PLACE ± | ± |
| DRAFT WHERE APPLICABLE MUST REMAIN WITHIN DIMENSIONS | |
| DRWG. BY: AAB | CHK'D. BY: MJM |
| APP'D. BY: MJM | SCALE: : |
| LTR. | REVISIONS |

| | |
|---|---|
| REVISIONS ONLY ON CAD SYSTEM | |
| TITLE: ASSEMBLY, CONNECTOR BOX I.D. SINGLE ROW/.100 GRID GROUPED HOUSINGS | |
| MOLLEX INCORPORATED U.S.A. SHEET NO. 4 DATE 05/22/91 | |
| PART NO. SDA-70977-**** | |
| SEE CHART | |
| FILE NAME: S70977X4 | THIS DRAWING CONTAINS INFORMATION THAT IS PROPRIETARY TO MOLLEX INC. AND SHOULD NOT BE USED WITHOUT WRITTEN PERMISSION. |
| DA | IC |