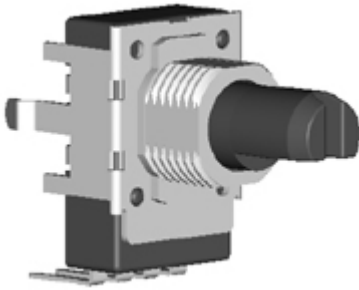


Model(型號): **ROTARY POTENTIOMETER-----R11A11HB1**

► [Download PDF file](#)



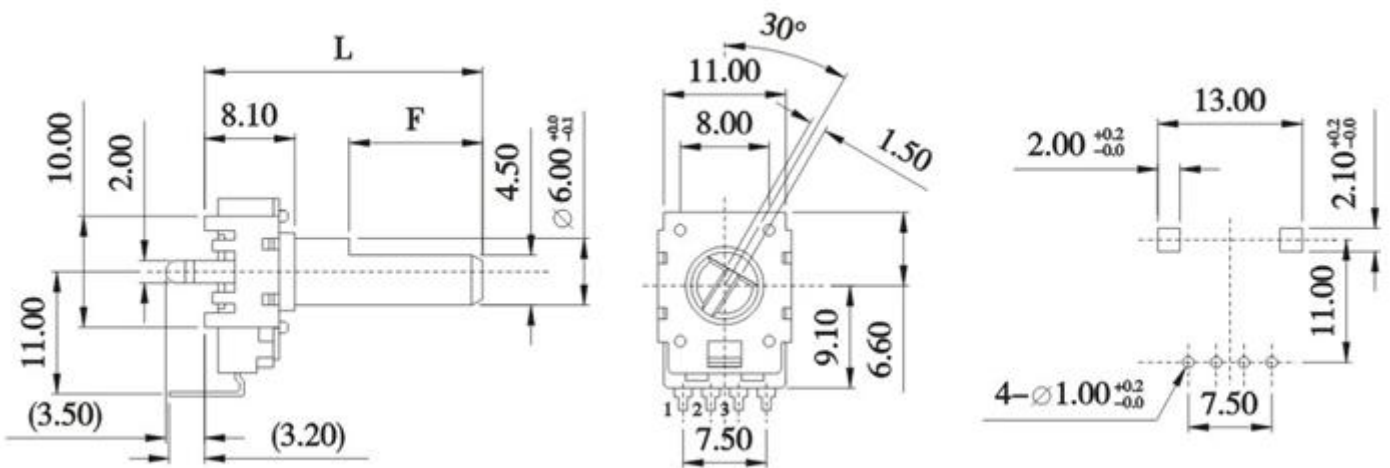
**Features:(特點):**

Thanks to its structure eliminating openings, the dust-proofing capacity and flux resistance have been improved. 9.8mm outing size is ideal for high-density set design.

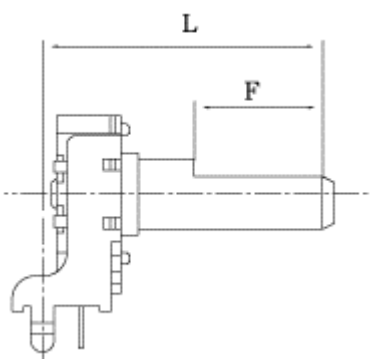
**Applications(作用):**

Suitable for various control applications with audio products, visual products, electronic musical instrument, etc.

**Dimensions(規格圖):**

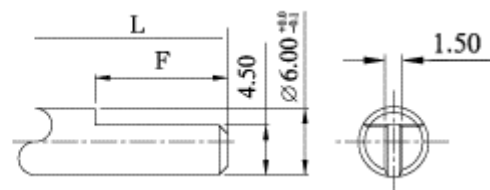


**SHAFT DIMENSION**



**F Type**

L	15	20	25	30	35
F	4.5	7	12	12	12



**Specifications(規格)**

Total resistance [全阻抗值]	5KΩ-500KΩ
Total resistance tolerance [全阻抗值容許差]	±20%
Ratings power(w) [額定功率]	0.05W
Resistance taper [阻抗變化特性]	A,B, C,D,W
Residual resistance [殘留阻值]	R < 10KΩ            20Ω Max. 10KΩ < R ≤ 50KΩ   30Ω Max. 50KΩ < R ≤ 500KΩ   0.1% Max.
Sliding noise [滑動雜音]	100mV Max.
Withstanding voltage [耐電壓]	1 minute at AC 500V
Gang error [連動誤差]	-40dB ~ 0dB ±3dB Max.
Insulation resistance [絕緣阻抗]	100MΩ Min. at DC 500V.
Max. operating voltage [最高使用電壓]	AC 50V , DC 12V
<b>Mechanical Characteristics [機械性能]</b>	
Operation torque [回轉力矩]	30~200gf . cm

Rotation stopper strength [ 止動強度 ]	6.0Kgf . cm Min.
Total rotational angle [回轉角度]	300 ±5°
<b>Endurance Characteristics [ 耐久性能 ]</b>	
Rotational life [ 回轉壽命 ]	More than15,000 cycles

[Http://www.productwell.com](http://www.productwell.com) E-Mail: [pwlhk@productwell.com](mailto:pwlhk@productwell.com) Tel: ( 852)2687 3208 Fax: ( 852)2687 3336