

PLEASE CHECK WWW.MOLEX.COM FOR LATEST PART INFORMATION

Part Number: [0894858201](#)
Status: **Active**
Description: Universal Serial Bus (USB) Shielded I/O Type A Receptacle, Single Upright, Right Angle, Terminal Length 2.00mm (.079"), Without Mylar, 0.76µm (30µ") Gold (Au) Plating, Tube Package, Lead Free

Documents:

[3D Model](#) [Product Specification PS-89485 \(PDF\)](#)
[Drawing \(PDF\)](#) [RoHS Certificate of Compliance \(PDF\)](#)

Agency Certification

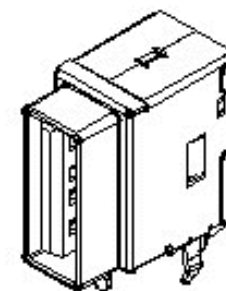
CSA LR19980
 UL E29179

General

Product Family I/O Connectors
 Series [89485](#)
 Application Wire-to-Board
 Comments Without Mylar
 Component Type Receptacle
 Product Name USB
 Type A

Physical

Boot Color N/A
 Circuits (Loaded) 4
 Circuits (maximum) 4
 Flammability 94V-0
 Gender Male
 Lock to Mating Part Yes
 Material - Plating Mating Gold
 Material - Plating Termination Tin
 Number of Rows 1
 Orientation Upright
 PC Tail Length (in) 0.079 In
 PC Tail Length (mm) 2.00 mm
 PCB Locator Yes
 PCB Retention Yes
 PCB Thickness Recommended (in) 0.062 In
 PCB Thickness Recommended (mm) 1.60 mm
 Packaging Type Tube
 Panel Mount No
 Pitch - Mating Interface (in) 0.079 In, 0.098 In
 Pitch - Mating Interface (mm) 2.00 mm, 2.50 mm
 Pitch - Term. Interface (in) 0.055 In
 Pitch - Term. Interface (mm) 1.40 mm
 Plating min: Mating (µin) 30
 Plating min: Mating (µm) 0.76
 Polarized to Mating Part Yes
 Polarized to PCB Yes
 Ports 1
 Surface Mount Compatible (SMC) No
 Temperature Range - Operating 125°C
 Termination Interface: Style Through Hole
 Waterproof / Dustproof No



Series

image - Reference only

EU RoHS

ELV and RoHS Compliant
REACH SVHC
 Not Reviewed
Halogen-Free Status
Not Reviewed

China RoHS



Need more information on product environmental compliance?

Email productcompliance@molex.com
 For a multiple part number RoHS Certificate of Compliance, [click here](#)

Please visit the [Contact Us](#) section for any non-product compliance questions.

Search Parts in this Series

[89485Series](#)

Mates With

[88740 USB Type A Cable Plug](#)

Electrical

Current - Maximum per Contact	1A
Shield Type	Full Shield
Shielded	Yes
Voltage - Maximum	750V AC (RMS)

Solder Process Data

Lead-free Process Capability	Wave Capable (TH only)
------------------------------	------------------------

Material Info**Reference - Drawing Numbers**

Packaging Specification	PK-89485-001
Product Specification	PS-89485
Sales Drawing	SD-89485-003

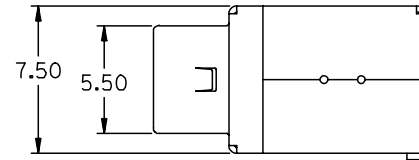
This document was generated on 05/25/2010

PLEASE CHECK WWW.MOLEX.COM FOR LATEST PART INFORMATION

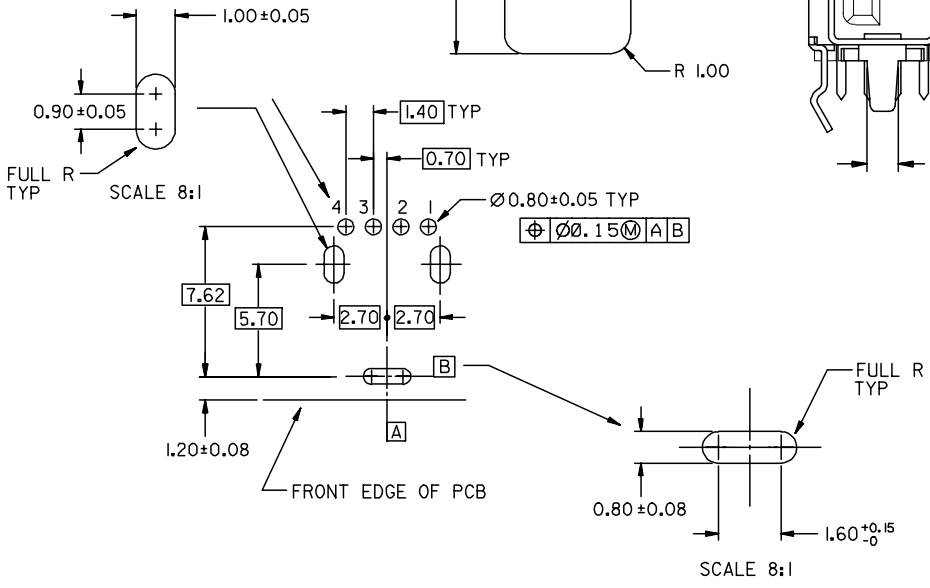
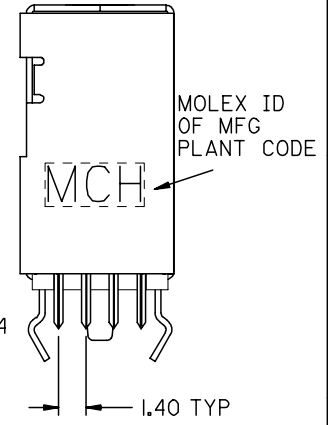
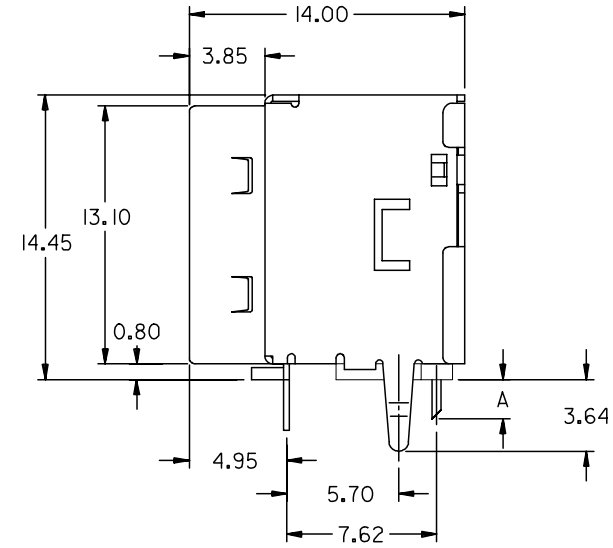
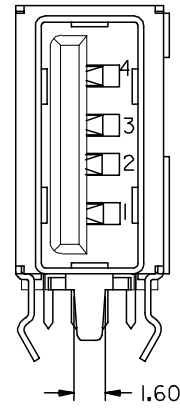
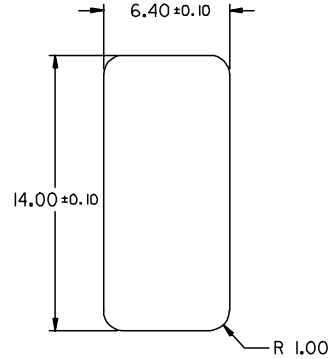
NOTES :

- MATERIAL :
HOUSING : HIGH TEMPERATURE NYLON , GLASS FIBRE FILLED, UL94-V0 , COLOR: BLACK
TERMINAL : PHOSPHOR BRONZE
METAL SHELL : DEEP DRAWN STEEL
- PLATING :
TERMINAL :
CONTACT AREA : (a) GOLD FLASH,
(b) GOLD (Au), THICKNESS = 30 MICROINCH MINIMUM.
SOLDER TAIL :
PURE TIN THICKNESS= 75 MICROINCH MINIMUM .
UNDER PLATE : NICKEL (Ni), THICKNESS= 50 MICROINCH MINIMUM.
METAL SHELL :
TIN (Sn) ALLOY , THICKNESS= 100 MICROINCH MINIMUM.
UNDER PLATE : NICKEL (Ni), THICKNESS= 50 MICROINCH MINIMUM.
- RECOMMENDED PCB THICKNESS : 1.60±0.05 mm
- PRODUCT SPECIFICATION : REFER TO PS-89485
- TRAY PACKAGING SPECIFICATION REFER TO : PK-89485-002
TUBE PACKAGING SPECIFICATION REFER TO : PK-89485-001
TUBE PACKAGING P/N, PLEASE REFER TO SHEET 2,3

DIMENSION "A"	P/N FOR TRAY PACKING	
2.00 ^{+0.35} _{-0.15}	89485-8000	GOLD FLASH PLATING ON CONTACT AREA
	89485-8001	30 MICRO INCH GOLD PLATING ON CONTACT AREA
2.50 ^{+0.35} _{-0.10}	89485-8002	GOLD FLASH PLATING ON CONTACT AREA
	89485-8003	30 MICRO INCH GOLD PLATING ON CONTACT AREA



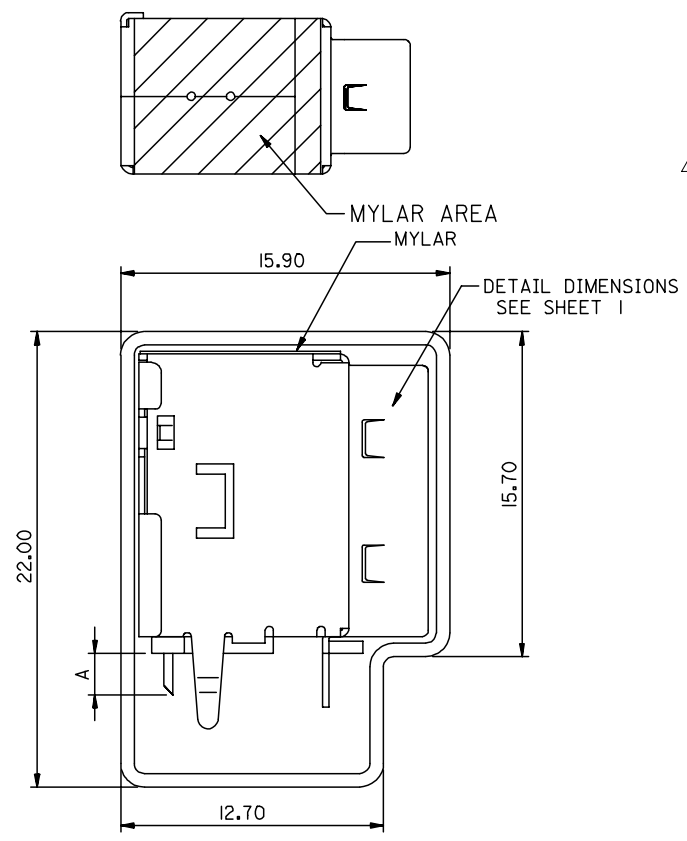
Recommended Panel Opening



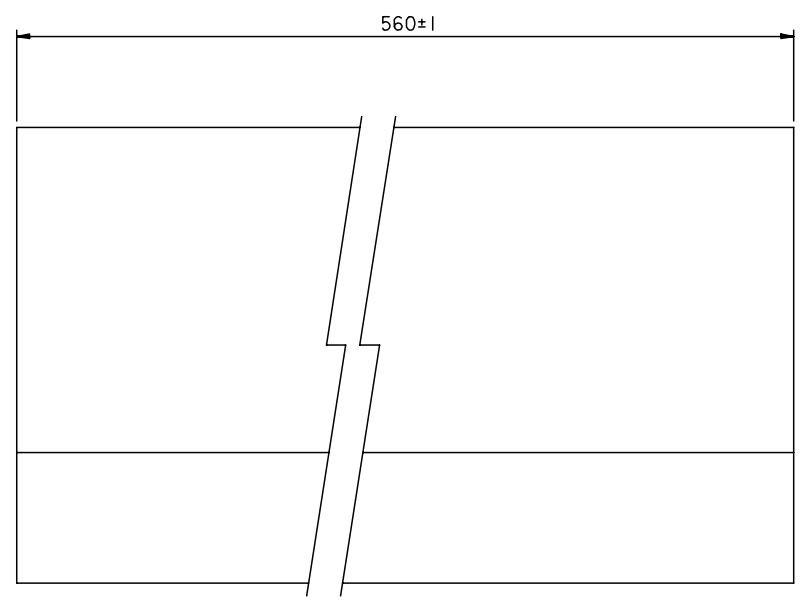
				MATERIAL : SEE NOTE		MOLEX TAIWAN LTD. SHEET 1 OF 3	
				FINISH : SEE NOTE		GENERAL TOLERANCES ANGLE : ± 3° DIM : ± .25/.010	
				WIRE RANGE : N/A		ENG. NO.: SD-89485-003	
				INS. RANGE : N/A		REV A	
A NEW RELEASE FOR LEAD-FREE				DAVID HJ 2004/11/5			
LTR	REVISION RECORD	ECN	DR	DATE	DRAWN BY DAVID HJ 2004/11/5	CHK'D BY	TITLE : SINGLE PORT UP-RIGHT USB CONNECTOR (LEAD-FREE)
REVISE ONLY ON CAD SYSTEM					APPR'D BY	SCALE 4:1	

8 7 6 5 4 3 2 1

ENG. NO.
EDP NO.
SIMILAR ITEM
CADFILE NO.



NOTE:
1. DETAIL DIMENSIONS, PLEASE REFER TO SHEET 1 OF SD-89485-003
2. THE TUBE PACKAGE INCLUDE TWO PLUGS ON RIGHT AND LEFT SIDES.
3. TUBE PACKAGING SPECIFICATION REFER TO: PK-89485-001



PART NUMBER LEGEND:

P/N FOR TUBE PACKING AND MYLAR ADDITION			
MATERIAL NUMBER	DIMENSION 'A'	PLATING SPECIFICATION	
WITH MYLAR	2.00 ^{+0.35} _{-0.15}	GOLD FLASH PLATING ON CONTACT AREA	
		30 MICRO INCH GOLD PLATING ON CONTACT AREA	
	2.50 ^{+0.35} _{-0.10}	GOLD FLASH PLATING ON CONTACT AREA	
		30 MICRO INCH GOLD PLATING ON CONTACT AREA	

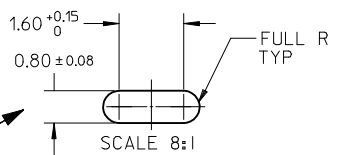
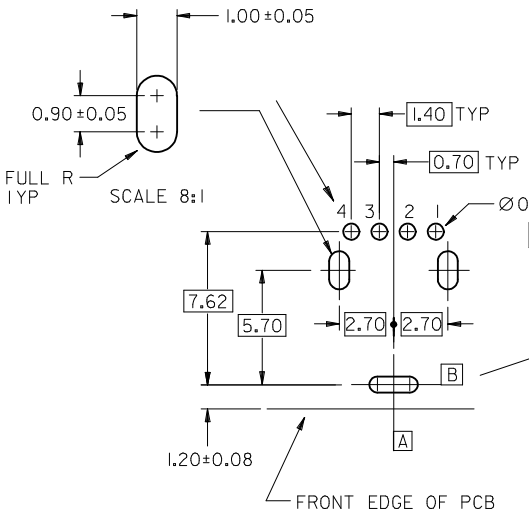
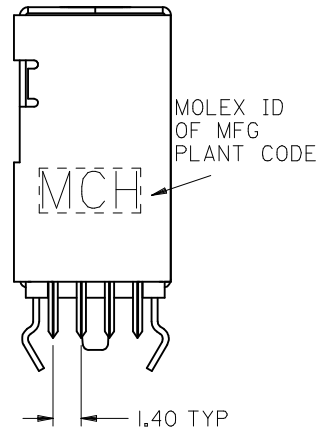
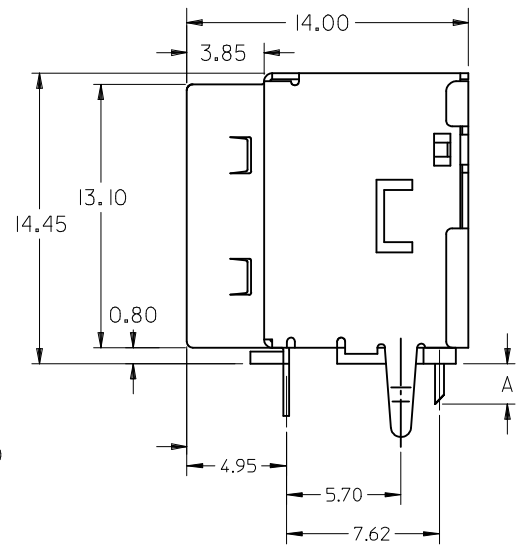
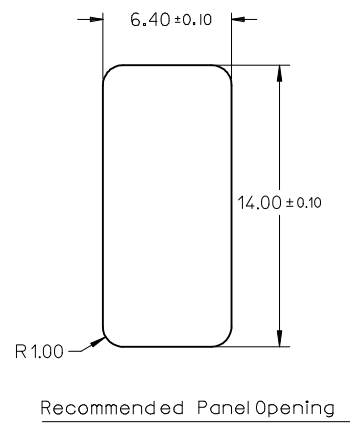
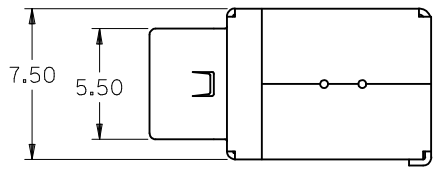
NEW RELEASE EC NO. DAVID HU 2004/10/28 CHK: APPR:	QUALITY SYMBOLS MAJOR = 0 CRITICAL = 0	GENERAL TOLERANCES: (UNLESS SPECIFIED)		SCALE 4 : 1	DESIGN UNITS <input checked="" type="checkbox"/> mm <input type="checkbox"/> INCH	THIRD ANGLE PROJECTION <input type="checkbox"/> mm <input checked="" type="checkbox"/> INCH	DIMENSIONS: <input type="checkbox"/> mm <input type="checkbox"/> INCH <input checked="" type="checkbox"/> mm ONLY	SHT	REV
		4 PLACES ± .	± .	DRAWN BY & DATE DAVID HU 2004/10/28		TITLE: USB A UPRIGHT 89485 WITH MYLAR BY TUBE PACKAGE (LEAD-FREE)			
		3 PLACES ± .	± .	CHECKED BY & DATE		APPROVED BY & DATE			
		2 PLACES ±0.25	±0.10	APPROVED BY & DATE		MATERIAL NO. SEE TABLE			
1 PLACE ±0.25	±0.10	ANGULAR: ±3°		CAD FILENAME S8948503.S02		DRAWING NO. SD-89485-003		SHEET NO. 2	
DRAFT WHERE APPLICABLE MUST REMAIN WITHIN DIMENSIONS		THIS DRAWING CONTAINS INFORMATION THAT IS PROPRIETARY TO MOLEX INCORPORATED AND SHOULD NOT BE USED WITHOUT WRITTEN PERMISSION.							

DO NOT SCALE DRAWING

F
E
D
C
B
A

DIMENSION "A"	P/N	PLATING	TERMINAL CONTACT PLATING	TERMINAL SOLDER PLATING	METAL SHELL PLATING
2.00 ^{+0.35} _{-0.15}	89485-8000	SEE NOTES(a)+(d)	GOLD FLASH	75 MICRO INCH BRIGHT TIN	100 MICRO INCH BRIGHT TIN
	89485-8001	SEE NOTES(b)+(d)	30 MICRO INCH GOLD		
2.50 ^{+0.35} _{-0.10}	89485-8002	SEE NOTES(a)+(d)	GOLD FLASH	75 MICRO INCH MATTE TIN	100 MICRO INCH MATTE TIN
	89485-8003	SEE NOTES(b)+(d)	30 MICRO INCH GOLD		
	89485-8012	SEE NOTES(c)+(e)	GOLD FLASH		

NOTE:
 1.MATERIAL:
 HOUSING:HIGH TEMPERATURE NYLON,GLASS FIBRE FILLED,UL94-V0,COLOR:BLACK
 TERMINAL:PHOSPHOR BRONZE
 METAL SHELL:DEEP DRAWN STEEL
 2.PLATING:
 TERMINAL:
 (a)GOLD FLASH ON THE CONTACT AREA,AND 75MICROINCH MINIMUM PURE TIN ON SOLDER TAIL, UNDER 50MICROINCH MINIMUM Ni PLATE.
 (b)30MICROINCH MINIMUM GOLD(Au) ON THE CONTACT AREA, AND 75MICROINCH MINIMUM PURE TIN ON SOLDER TAIL,UNDER 50MICROINCH MINIMUM Ni UNDER PLATE.
 (c)GOLD FLASH ON THE CONTACT AREA,AND 75MICROINCH MINIMUM MATTE TIN ON SOLDER TAIL,UNDER 50MICROINCH MINIMUM Ni PLATE.
 METAL SHELL:
 (d)100MICROINCH MINIMUM BRIGHT TIN ON THE METAL SHELL,AND 50MICROINCH MINIMUM Ni AND 100MICROINCH MINIMUM Cu PLATE.
 (e)100MICROINCH MINIMUM MATTE TIN ON THE METAL SHELL,AND 50MICROINCH MINIMUM Ni AND 100MICROINCH MINIMUM Cu PLATE.
 3.RECOMMENDED PCB THICKNESS:1.60 ±0.05mm
 4.PRODUCT SPECIFICATION:REFER TO PS-89485
 5. TRAY PACKAGING SPECIFICATION REFER TO:PK-89485-002
 TUBE PACKAGING SPECIFICATION REFER TO:PK-89485-001
 TUBE PACKAGING P/N,PLEASE REFER TO:SHEET2,3



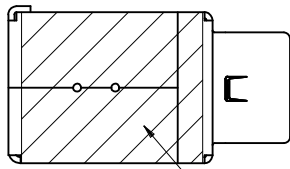
NEW RELEASE EC NO: SH2009-0233 DR:WINEZHAO 2008/12/02 CHKD:RZHANG 2008/12/12 APPR:HWANG 2008/12/17	DESCRIPTION
	REV
	QUALITY SYMBOLS
	REV

QUALITY SYMBOLS ▽=0 ◁=0	GENERAL TOLERANCES (UNLESS SPECIFIED)
	mm INCH
	4 PLACES ± --- ± ---
	3 PLACES ± --- ± ---
DRAFT WHERE APPLICABLE MUST REMAIN WITHIN DIMENSIONS	2 PLACES ± 0.25 ± .010
	1 PLACE ± 0.25 ± .010
	ANGULAR ± 3 °
	SIZE A3

DIMENSION STYLE	SCALE	DESIGN UNITS	THIRD ANGLE PROJECTION
MM ONLY	4:1	METRIC	
DRAWN BY	DATE	TITLE	
DAVID HU		SINGLE PORT UP-RIGHT USB CONNECTOR LEAD-FREE	
CHECKED BY	DATE		
APPROVED BY	DATE		
MATERIAL NO.	DOCUMENT NO.		
SEE TABLE	SD-89485-003		
THIS DRAWING CONTAINS INFORMATION THAT IS PROPRIETARY TO MOLEX INCORPORATED AND SHOULD NOT BE USED WITHOUT WRITTEN PERMISSION			

MOLEX INCORPORATED	SHEET NO.
	1 OF 3

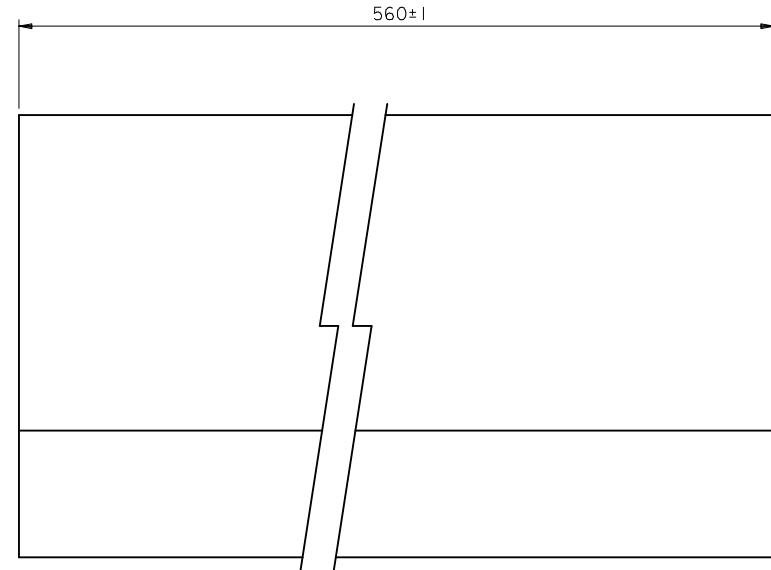
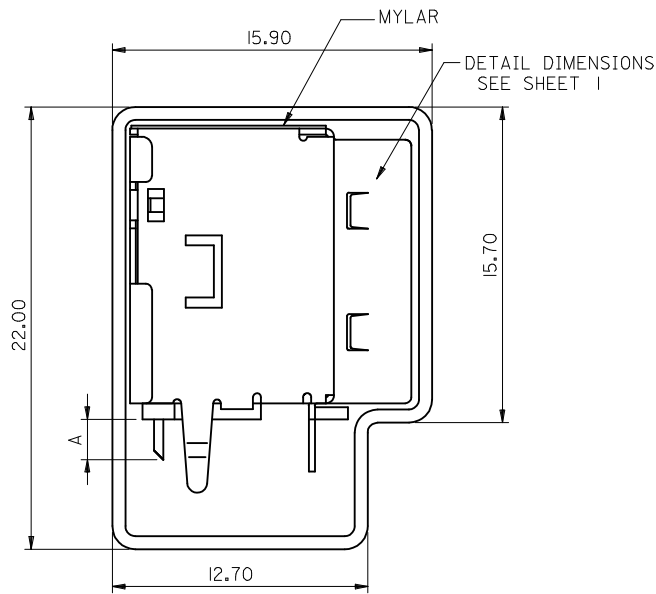
10 9 8 7 6 5 4 3 2 1



MYLAR AREA

NOTE:

1. DETAIL DIMENSIONS, PLEASE REFER TO SHEET 1 OF SD-89485-003
2. THE TUBE PACKAGE INCLUDE TWO PLUGS ON RIGHT AND LEFT SIDES.
3. TUBE PACKAGING SPECIFICATION REFER TO: PK-89485-001



PART NUMBER LEGEND:

P/N FOR TUBE PACKING AND MYLAR ADDITION			
MATERIAL NUMBER	DIMENSION 'A'	PLATING SPECIFICATION	
WITH MYLAR	89485-8100	2.00 ^{+0.35} _{-0.15}	GOLD FLASH PLATING ON CONTACT AREA
	89485-8101		30 MICRO INCH GOLD PLATING ON CONTACT AREA
	89485-8102	2.50 ^{+0.35} _{-0.10}	GOLD FLASH PLATING ON CONTACT AREA
	89485-8103		30 MICRO INCH GOLD PLATING ON CONTACT AREA

NEW RELEASE
 EC NO: SH2009-0233
 DR: WINEZHAO 2008/12/02
 CHK: RZHANG 2008/12/12
 APPR: HWANG 2008/12/17

QUALITY SYMBOLS

	GENERAL TOLERANCES (UNLESS SPECIFIED)	
	mm	INCH
4 PLACES	± ---	± ---
3 PLACES	± ---	± ---
2 PLACES	± 0.25	± .010
1 PLACE	± 0.25	± .010
ANGULAR ± 3 °		

DRAFT WHERE APPLICABLE MUST REMAIN WITHIN DIMENSIONS

DIMENSION STYLE	
MM ONLY	
DRAWN BY	DATE
CHECKED BY	DATE
APPROVED BY	DATE
MATERIAL NO.	SEE TABLE
SIZE	A3

SCALE	DESIGN UNITS	THIRD ANGLE PROJECTION
4:1	METRIC	
TITLE		
SINGLE PORT UP-RIGHT USB CONNECTOR LEAD-FREE		
MOLEX INCORPORATED		SHEET NO.
DOCUMENT NO. SD-89485-003		2 OF 3
THIS DRAWING CONTAINS INFORMATION THAT IS PROPRIETARY TO MOLEX INCORPORATED AND SHOULD NOT BE USED WITHOUT WRITTEN PERMISSION		

9 8 7 6 5 4 3 2 1

10 9 8 7 6 5 4 3 2 1

F

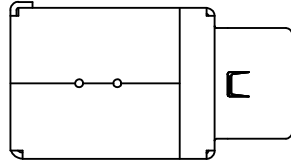
E

D

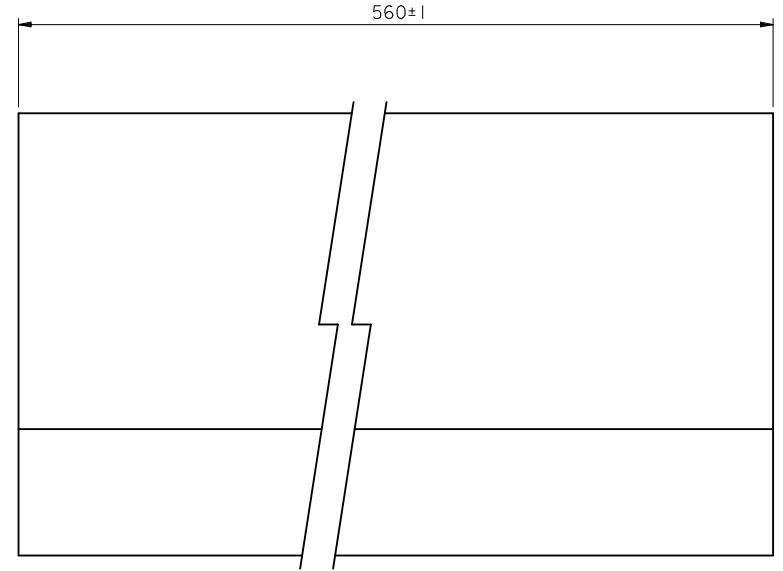
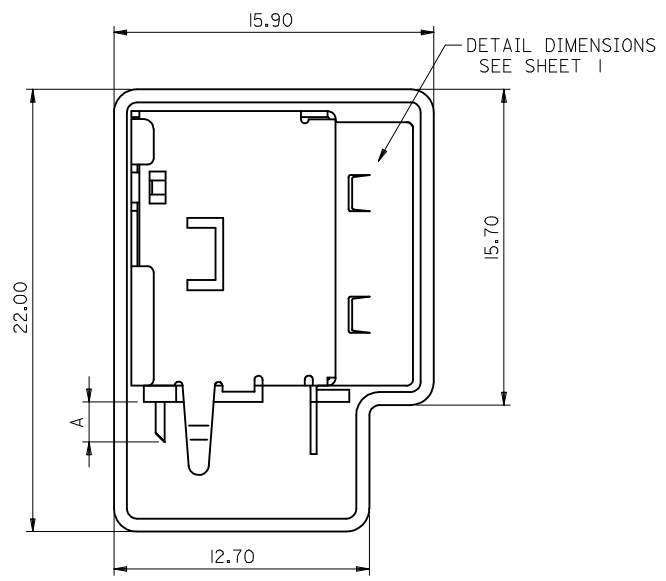
C

B

A



NOTE:
 1.DETAIL DIMENSIONS , PLEASE REFER TO SHEET 1 OF SD-89485-003
 2.THE TUBE PACKAGE INCLUDE TWO PLUGS ON RIGHT AND LEFT SIDES.
 3.TUBE PACKAGING SPECIFICATION REFER TO: PK-89485-001



PART NUMBER LEGEND:

P/N FOR TUBE PACKING		
MATERIAL NUMBER	DIMENSION *A	PLATING SPECIFICATION
WITHOUT MYLAR	2.00 ^{+0.35} _{-0.15}	89485-8200 GOLD FLASH PLATING ON CONTACT AREA
		89485-8201 30 MICRO INCH GOLD PLATING ON CONTACT AREA
WITHOUT MYLAR	2.50 ^{+0.35} _{-0.10}	89485-8202 GOLD FLASH PLATING ON CONTACT AREA
		89485-8203 30 MICRO INCH GOLD PLATING ON CONTACT AREA

NEW RELEASE
 EC NO: SH2009-0233
 DR:WNEZHAO 2008/12/02
 CHYKD:RZHANG 2008/12/12
 APPR:HWANG 2008/12/17

QUALITY SYMBOLS
 =0
 =0

GENERAL TOLERANCES (UNLESS SPECIFIED)

	mm	INCH
4 PLACES	± ---	± ---
3 PLACES	± ---	± ---
2 PLACES	± 0.25	± .010
1 PLACE	± 0.25	± .010

ANGULAR ± 3 °

DRAFT WHERE APPLICABLE MUST REMAIN WITHIN DIMENSIONS

DIMENSION STYLE
MM ONLY

SCALE
4:1

DESIGN UNITS
METRIC

THIRD ANGLE PROJECTION

DRAWN BY DAVID HU
 CHECKED BY
 APPROVED BY
 MATERIAL NO.
SEE TABLE

TITLE
SINGLE PORT UP-RIGHT USB CONNECTOR LEAD-FREE

MOLEX INCORPORATED

DOCUMENT NO. **SD-89485-003**

SHEET NO. **3 OF 3**

THIS DRAWING CONTAINS INFORMATION THAT IS PROPRIETARY TO MOLEX INCORPORATED AND SHOULD NOT BE USED WITHOUT WRITTEN PERMISSION

9 8 7 6 5 4 3 2 1