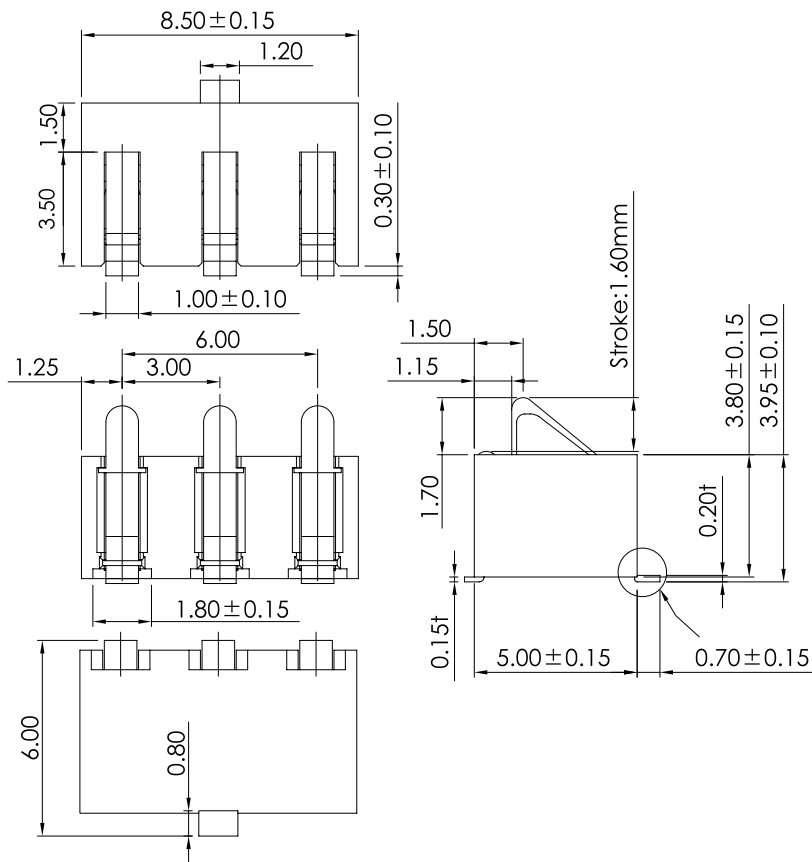




## 250119MA Series

### Specifications:

- **Insulator Material** : Black Thermo Plastic UL94V-O
- **Operating Type Range** : -40°C TO +105°C
- **Terminal Material** : Phos. Bronze
- **Platings** : Contact Gold Plated
- **Max. Current Rating** : 2A
- **Max. Voltage Rating** : 12V AC
- **Dielectric Strength** : 500V AC For 60 Seconds



Mobile

BATTERY

## Order Information

250119MA003□□00ZL  
1 2 3 4 5

1. 'A' : Straight SMT Type
  2. No. of pins.
  3. Plating
  4. Color 'Z' : Black
  5. Package  
'L' : Reel Package Without Cap
- Reference Page 11

## Recommended P.C.B Layout

