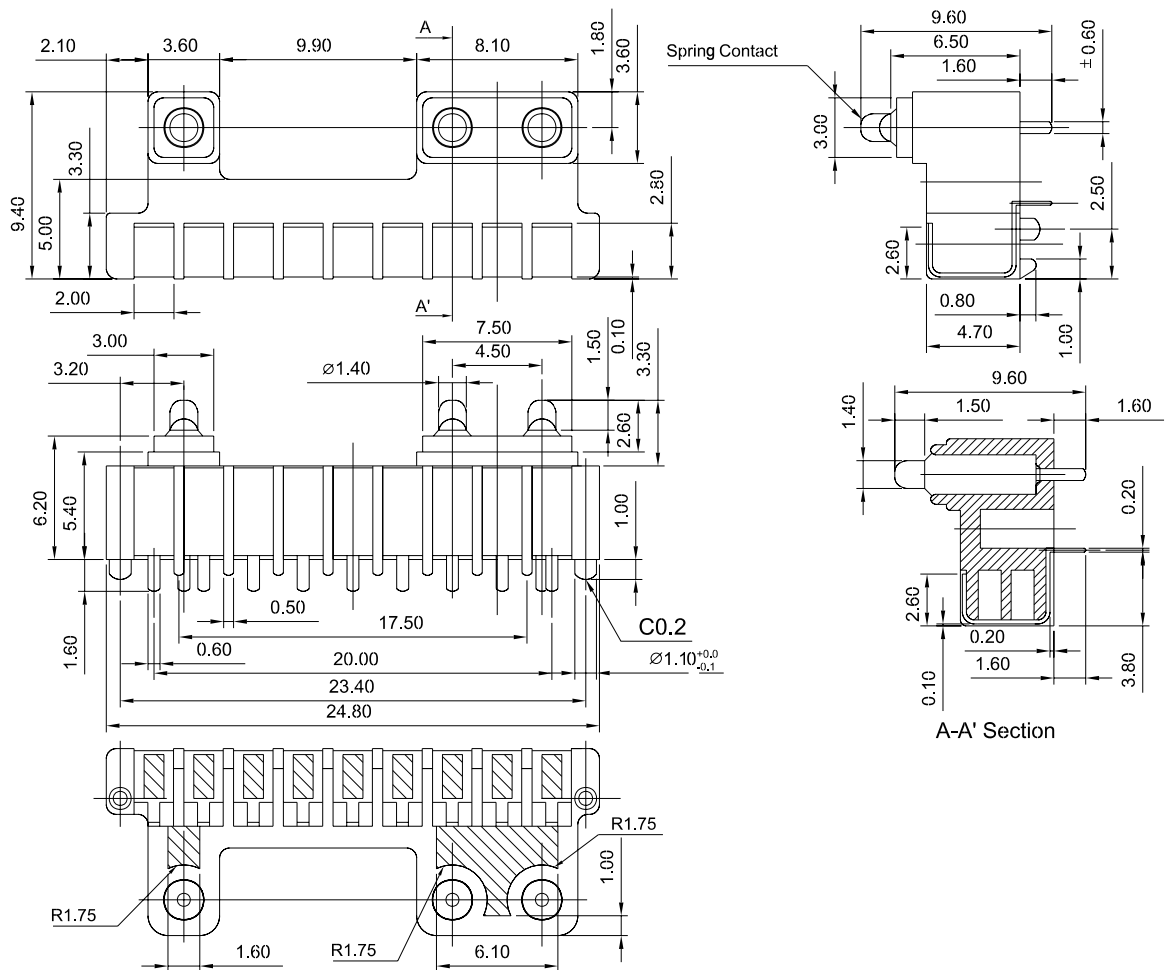


250103MR Series

Specifications:

- **Insulator material** : Black High Temp . Plastic
- **Max Processing Temp.** : -40°C to +105°C
- **Terminal Material** : Brass
- **Plating** : Full Gold Plated
- **Max. Current Rating** : 5A
- **Voltage Rating** : 50V AC
- **Dielectric Strength** : 500V (Min. 60 seconds)



Batt

Order Information

250103MR012□□00ZU
1 2 3 4 5

1. 'R' : Right Angle Dip Type
2. No. of Pins
3. Plating
4. Color 'Z' : Black
5. Package

'U' : Tube Package Without CAP

Reference Page 11

Recommended P.C.B. Layout

