

T3/DS3/E3/STS-1 TRANSFORMERS

P/N:S3020 DATA SHEET

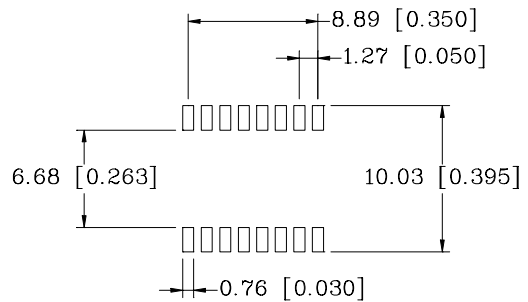
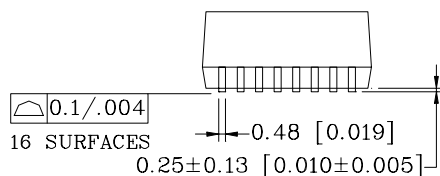
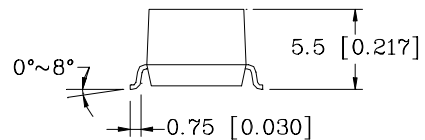
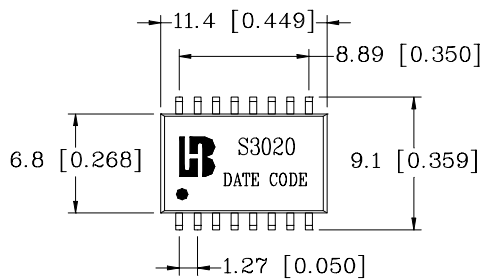
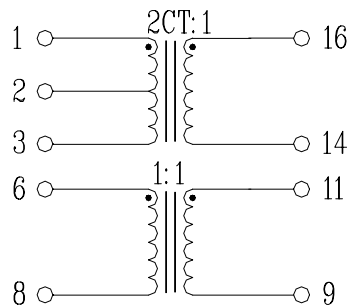
A. General Specifications

1. Models matched to leading transceiver ICs
2. Return loss meets requirements of G.703
3. Operating temperature of -40°C to +85°C
4. 1500Vrms Isolation
5. Dual SMT package contains both transmit and receive transformers

B. Electrical Specifications@25°C

1. Turns Ratio($\pm 2\%$) : TX=1:2CT & RX=1:1
2. PRI OCL @ 25°C: TX=40 μ H Min & RX=100 μ H Min
3. PRI OCL @ -40°C: TX=19 μ H Min & RX= 40 μ H Min
4. L.L : TX=0.10 μ H Max & RX=0.11 μ H Max
5. Cw/w : 10 pF Max
6. Isolation: 1500Vrms
7. Bandwidth 75 Ω system: 0.20 MHz~340 MHz(Typ)
8. Primary Pins : 16-14,6-8

C. Schematics & Mechanical:



Dimensions: mm [Inches] Tolerances: ± 0.25 [0.01]

PCB Suggest pad layout