

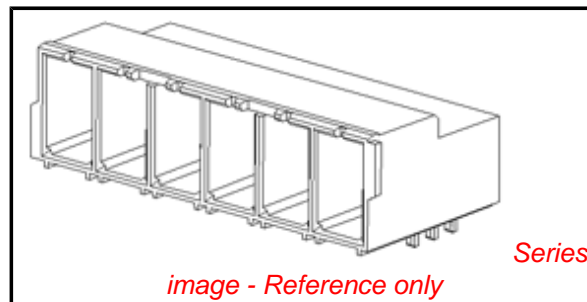
**PLEASE CHECK WWW.MOLEX.COM FOR LATEST PART INFORMATION**

**Part Number:** [0394250003](#)  
**Status:** **Active**  
**Description:** 12.00mm (.472") Pitch Beau™ EuroMax™ Right Angle PCB Header, Closed Ends, 3 Circuits

**Documents:**

[3D Model](#)  
[Drawing \(PDF\)](#)

[RoHS Certificate of Compliance \(PDF\)](#)



**General**

|                |                       |
|----------------|-----------------------|
| Product Family | Terminal Blocks       |
| Series         | <a href="#">39425</a> |
| Application    | Wire-to-Board         |
| Component Type | PCB Header            |
| Product Name   | EuroMax™ Pluggable    |
| Type           | Euro Block            |

**Physical**

|                                |              |
|--------------------------------|--------------|
| Circuits (Loaded)              | 3            |
| Color - Resin                  | Black        |
| Entry Angle                    | N/A          |
| Lock to Mating Part            | Yes          |
| Material - Plating Mating      | Tin          |
| Material - Plating Termination | Tin          |
| Material - Resin               | Nylon        |
| Number of Rows                 | 1            |
| Orientation                    | Right Angle  |
| PC Tail Length (in)            | 0.169 In     |
| PC Tail Length (mm)            | 4.30 mm      |
| PCB Retention                  | None         |
| PCB Thickness Recommended (in) | 0.125 In     |
| PCB Thickness Recommended (mm) | 3.20 mm      |
| Panel Mount                    | No           |
| Pitch - Mating Interface (in)  | 0.472 In     |
| Pitch - Mating Interface (mm)  | 12.00 mm     |
| Plating min: Mating (µin)      | 150          |
| Plating min: Mating (µm)       | 3.75         |
| Plating min: Termination (µin) | 150          |
| Plating min: Termination (µm)  | 3.75         |
| Polarized to Mating Part       | Yes          |
| Shrouded                       | Closed Ends  |
| Stackable                      | No           |
| Temperature Range - Operating  | 130°C        |
| Termination Interface: Style   | Through Hole |
| Wire Size AWG                  | N/A          |

**Electrical**

|                               |      |
|-------------------------------|------|
| Current - Maximum per Contact | 85A  |
| Voltage - Maximum             | 600V |

**Material Info**

|                 |        |
|-----------------|--------|
| Old Part Number | 421903 |
|-----------------|--------|

**Reference - Drawing Numbers**

|               |              |
|---------------|--------------|
| Sales Drawing | SD-39425-001 |
|---------------|--------------|

**EU RoHS**

**ELV and RoHS  
Compliant**

**REACH SVHC**

Not Reviewed

**Halogen-Free**

**Status**

**Not Reviewed**

**China RoHS**



**Need more information on product  
environmental compliance?**

Email [productcompliance@molex.com](mailto:productcompliance@molex.com)  
 For a multiple part number RoHS Certificate of Compliance, [click here](#)

Please visit the [Contact Us](#) section for any non-product compliance questions.

**Search Parts in this Series**

[39425Series](#)

**Mates With**

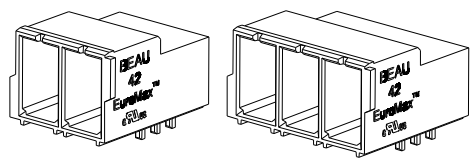
[39421 Plugs](#)

This document was generated on 04/12/2010

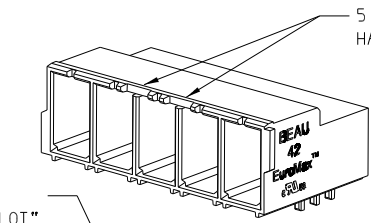
**PLEASE CHECK [WWW.MOLEX.COM](http://WWW.MOLEX.COM) FOR LATEST PART INFORMATION**

LENGTH TABLE

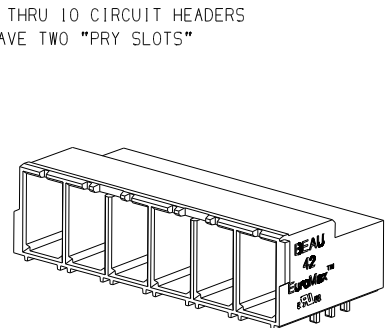
| MATERIAL NO. | NO. CIRCUITS | "B"           | "A"          |
|--------------|--------------|---------------|--------------|
| 394250002    | 02           | 12.0 (.472)   | 28.2 (1.11)  |
| 394250003    | 03           | 24.0 (.945)   | 40.2 (1.58)  |
| 394250004    | 04           | 36.0 (1.417)  | 52.2 (2.06)  |
| 394250005    | 05           | 48.0 (1.890)  | 64.2 (2.53)  |
| 394250006    | 06           | 60.0 (2.362)  | 76.2 (3.00)  |
| 394250007    | 07           | 72.0 (2.835)  | 88.2 (3.47)  |
| 394250008    | 08           | 84.0 (3.307)  | 100.2 (3.95) |
| 394250009    | 09           | 96.0 (3.780)  | 112.2 (4.42) |
| 394250010    | 10           | 108.0 (4.252) | 124.2 (4.89) |



2 AND 3 CIRCUIT HEADERS HAVE NO "PRY SLOTS"

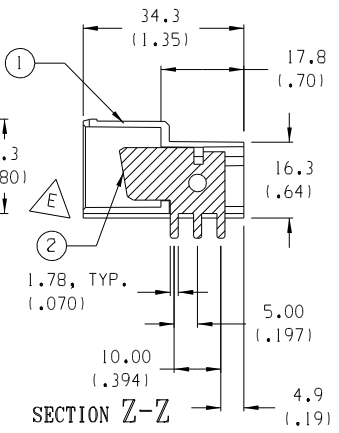
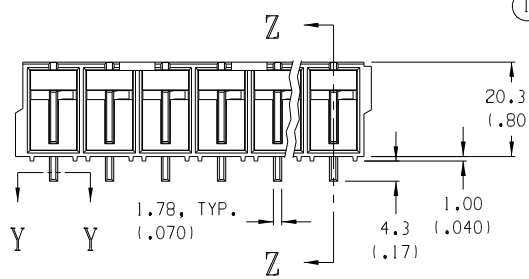
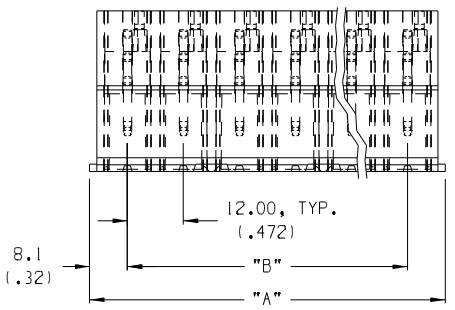
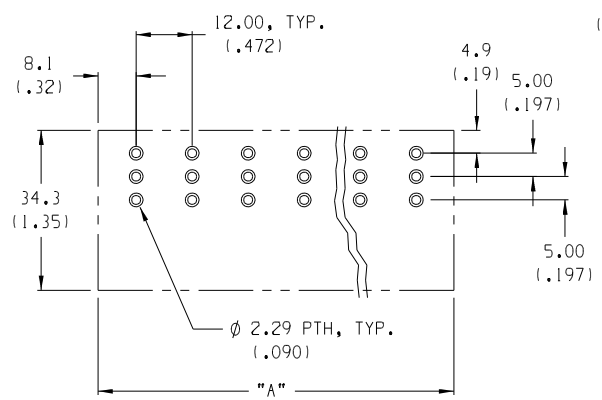


4 CIRCUIT HEADER HAS ONLY ONE "PRY SLOT"

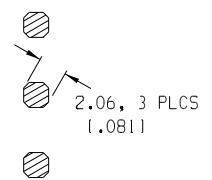


5 THRU 10 CIRCUIT HEADERS HAVE TWO "PRY SLOTS"

RECOMMENDED PTH PATTERN



SECTION Z-Z



SECTION Y-Y SCALE 3:1

- NOTES:
1. MATERIAL: SEE TABLE
  2. FINISHES: SEE TABLE
  3. PRODUCT SPECIFICATION: SEE PPS.42.001
  4. PACKAGING: NOT REQUIRED
  5. MATES WITH: 3942100XX PLUG
  6. XX EQUALS NUMBER OF CIRCUITS

| 2    | XX   | BLADE CONTACT   | COPPER   | TIN    |
|------|------|-----------------|----------|--------|
| 1    | 1    | MOLDING, HEADER | PBT      | BLACK  |
| ITEM | QTY. | DESCRIPTION     | MATERIAL | FINISH |

|              |                   |                 |
|--------------|-------------------|-----------------|
| EC NO. 11610 | DRWNS: RK 12-1-04 | QUALITY SYMBOLS |
| CH*K         | APPR:             | MAJOR           |
| REV          | DESCRIPTION       | CRITICAL        |
|              |                   | SPC             |
|              |                   | S               |

| GENERAL TOLERANCES: (UNLESS SPECIFIED)               |        | SCALE 1:1                               | DESIGN UNITS                             |
|--|--------|---|--|
| 4 PLACES   | ±.0015 | <input type="checkbox"/> mm             | <input checked="" type="checkbox"/> INCH |
| 3 PLACES   | ±.038  | DRAWN BY & DATE: GHR 5-14-2003          |  |
| 2 PLACES   | ±.13   | CHECKED BY & DATE: R. KEMP 8-8-03       |  |
| 1 PLACE  | ±.3    | APPROVED BY & DATE: G. ROBERTSON 8-8-03 |  |
| ANGULAR: ±2°   |        | CAD FILENAME: 4219XX                    |  |
| DRAFT WHERE APPLICABLE MUST REMAIN WITHIN DIMENSIONS |        |   |  |

|                        |                                 |
|------------------------|---------------------------------|
| THIRD ANGLE PROJECTION | TITLE: HEADER, 12MM, 85A, 600V, |
| MOLEX INCORPORATED     |                                 |
| MATERIAL NO. SEE CHART | DRAWING NO. SD-39425-001        |
| SHEET NO. 1 OF 1       |                                 |

THIS DRAWING CONTAINS INFORMATION THAT IS PROPRIETARY TO MOLEX INCORPORATED AND SHOULD NOT BE USED WITHOUT WRITTEN PERMISSION.