

#### INTRODUCTION:

Adam Tech Solder Cup High Density D-Sub connectors are a popular interface for many I/O applications. Offered in 15, 26, 44, 62 and 78 positions, they are a good choice for a low cost industry standard high density connection. Adam Tech connectors are manufactured with precision stamped contacts offering a choice of contact plating and a wide selection of mating and mounting options.

#### FEATURES:

- High Density pin count in standard size shell
- Industry standard compatibility
- Durable metal shell design
- Precision formed contacts
- Mating and mounting options

#### MATING CONNECTORS:

Adam Tech high density D-Subminiatures and all industry standard high density D-Subminiature connectors.

#### SPECIFICATIONS:

##### Material:

Insulator: PBT, 30% glass reinforced, rated UL94V-0  
Insulator Colors: Black (White optional)  
Contacts: Phosphor Bronze  
Shell: Steel, Tin or Zinc plated  
Hardware: Brass, Nickel plated

##### Contact Plating:

Gold Flash (15 and 30  $\mu$ m Optional) over Nickel underplate overall.

##### Electrical:

Operating voltage: 250V AC / DC max.  
Current rating: 5 Amps max.  
Contact resistance: 20 m $\Omega$  max. initial  
Insulation resistance: 5000 M $\Omega$  min.  
Dielectric withstanding voltage: 1000V AC for 1 minute

##### Mechanical:

Insertion force: 0.75 lbs max  
Extraction force: 0.44 lbs min

##### Temperature Rating:

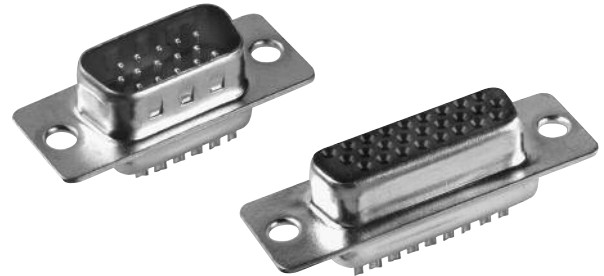
Operating temperature: -65°C to +125°C

#### PACKAGING:

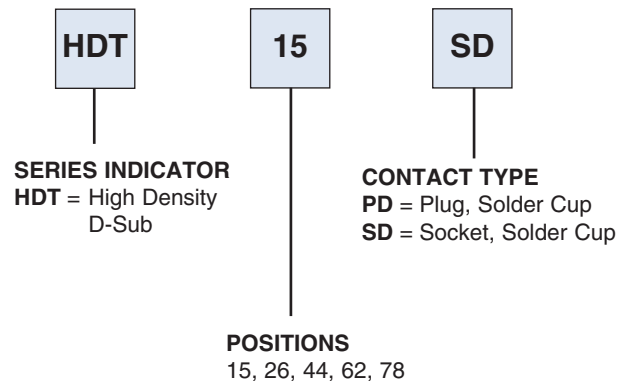
Anti-ESD plastic trays

#### APPROVALS AND CERTIFICATIONS:

UL Recognized File No. E224053  
CSA Certified File No. LR1578596



#### ORDERING INFORMATION



#### OPTIONS:

Add designator(s) to end of part number

**15** = 15  $\mu$ m gold plating in contact area

**30** = 30  $\mu$ m gold plating in contact area

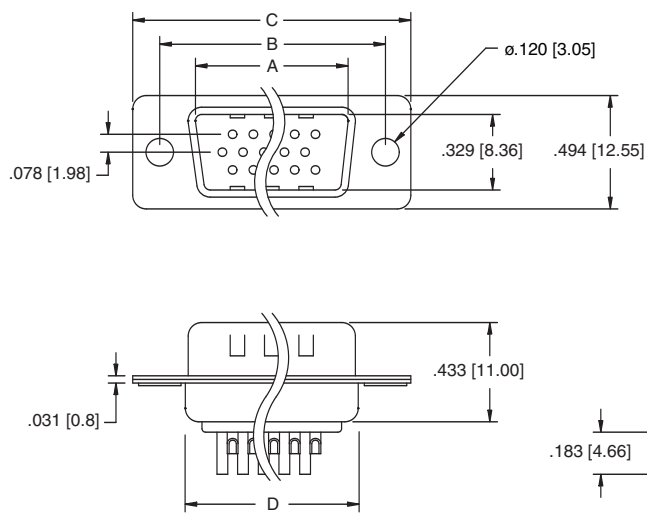
**WT** = White color insulator

**SL** = Bottom side Riveted #4-40 Clinch Nuts

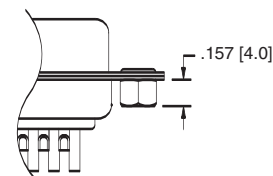
**JS** = Top side riveted #4-40 Jack Screws

**EMI** = Ferrite filtered version for EMI / RFI suppression (Page 101)

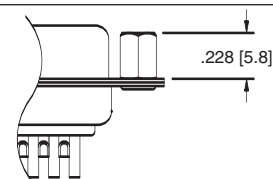
#### PLUG



#### MOUNTING OPTIONS

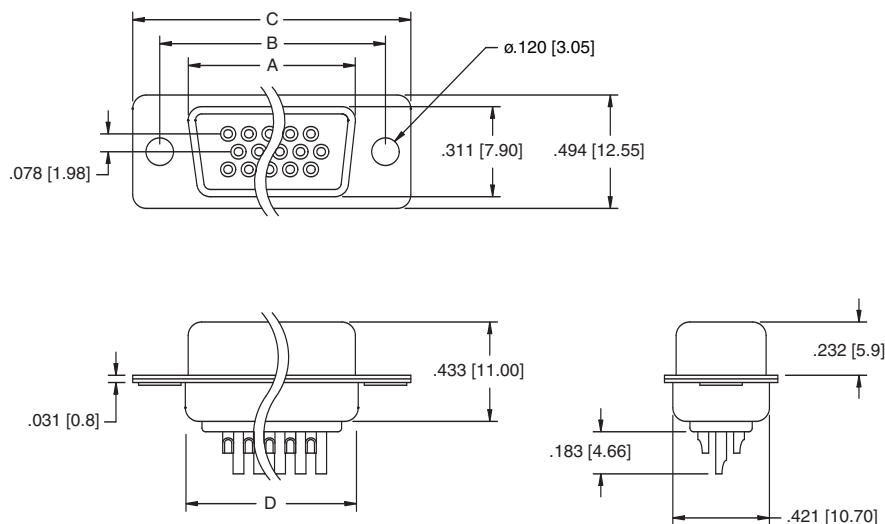


**SL Option**  
Bottom side riveted #4-40  
Clinch Nuts



**JS Option**  
Top side riveted #4-40  
Jack Screws

#### SOCKET



Unit: Inch [mm]

Positions	PLUG	SOCKET	DIMENSIONS		
	A	A	B	C	D
15	.666 [16.92]	.643 [16.33]	.984 [24.99]	1.213 [30.81]	.759 [19.28]
26	.994 [25.25]	.971 [24.66]	1.312 [33.32]	1.541 [39.14]	1.083 [27.51]
44	1.534 [38.96]	1.511 [38.38]	1.852 [47.04]	2.088 [53.04]	1.626 [41.30]
62	2.182 [55.43]	2.159 [54.84]	2.500 [63.50]	2.729 [69.32]	2.271 [57.70]
78	2.079 [52.81]	2.064 [52.43]	2.406 [61.11]	2.635 [66.93]	2.099 [53.32]