

# Vertical Mount 10/100 BASE-T RJ45 Jack With Magnetic Module



**N5437**

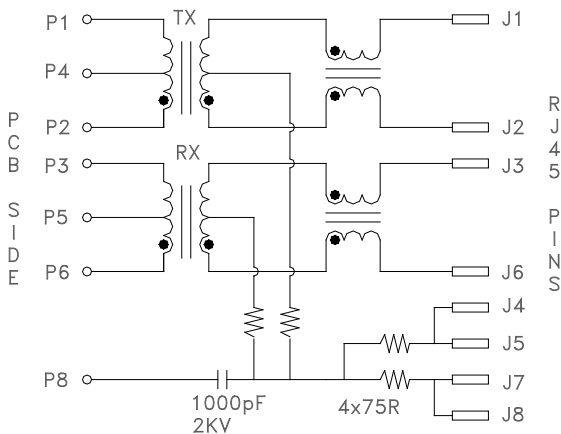


- Space saving vertical mount configuration
- Available with a variety of internal magnetic filter designs to support all PHYs
- Available with or without LEDs
- RoHS Compliant Product
- Hipot: 1500V<sub>RMS</sub>
- Custom design and configuration available upon request

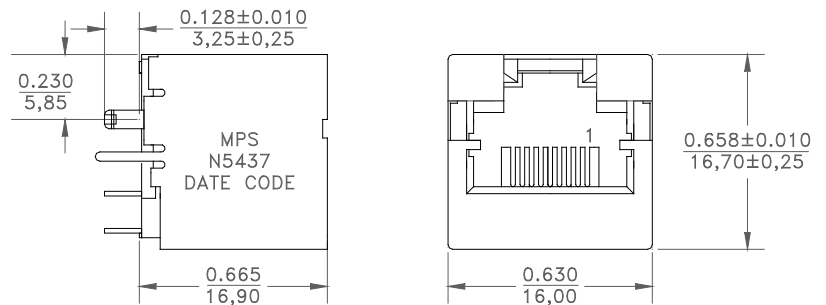
## ELECTRICAL SPECIFICATION @ 25°C

PART NO	TURNS RATIO ±2%		INSERTION LOSS 0.3-100MHz (dB) Max	RETURN LOSS (dB) Min MHz				CROSS TALK (dB) Typ MHz			COMMON MODE REJECTION (dB) min MHz		
	TX	RX		1-30	40	50	60-80	30	60	100	30	60	100
	N5437	1.1	1.1	-1.0	-18	-16	-14	-12	-45	-40	-35	-35	-30

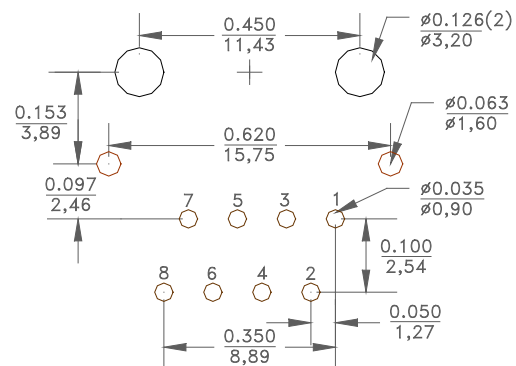
### Schematic



### Dimension



### Recommended PCB Land Pattern



COMPONENT SIDE VIEW

#### Dimensions

Unless otherwise specified, all tolerances are:  
 inch: .XX : ± 0.015 .XXX : ± 0.004  
 mm: X,X : ± 0,38 X,XX : ± 0,10

Product performance is limited to specified parameter. Data is subject to change without prior notice.

N5437  
0852AL

13200 Estrella Ave., Bldg. B  
Gardena, CA 90248

Tel: (310) 325-1043  
Fax: (310) 325-1044

www.mpsind.com  
sales@mpsind.com