

RJ45 10/100 BASE-T Jack with Magnetic Module



N5414, N5418



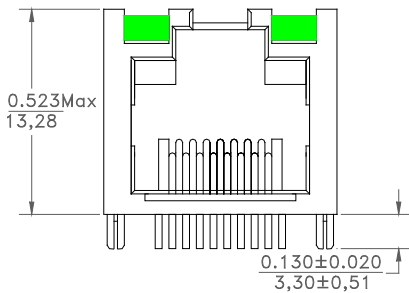
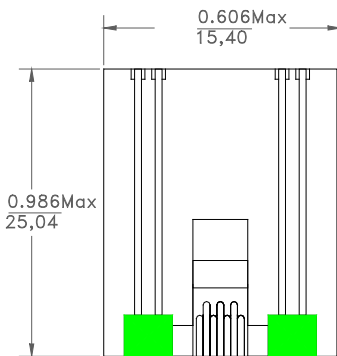
- RoHS Compliant Product
- Inductance: 350 μ H Min @ 100KHz, 0.1V_{RMS} with 8mA DC
- Hipot: 1500V_{RMS}
- Operating Temp : 0°C to 70°C
- Custom design available

ELECTRICAL SPECIFICATION @ 25°C

PART NO	TURNS RATIO ±2%		INSERTION LOSS 0.1-100MHz (dB) Max	RETURN LOSS (dB) Typ MHz			CROSS TALK (dB) Typ MHz 0.3-100	CMR (dB) Typ MHz 0.3-100
	TX	RX		0.5-30	30-60	60-80		
N5414	1CT:1	1CT:1	-1.1	-18	-14	-12	-40	-35
N5418	1CT:1	1CT:1	-1.1	-18	-14	-12	-40	-40

Mechanical

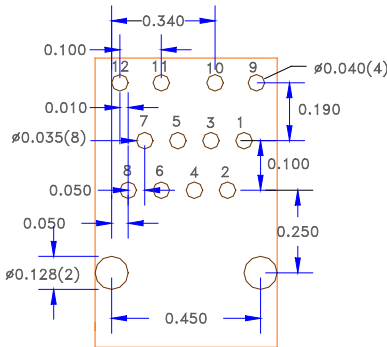
Schematic



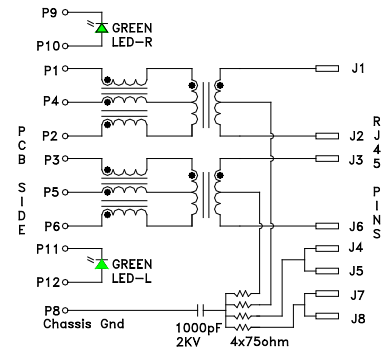
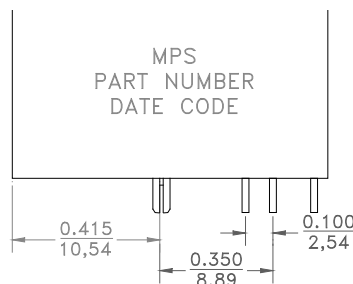
Dimensions

Unless otherwise specified, all tolerances are:
 inch: .XX : ± 0.015 .XXX : ± 0.004
 mm: X,X : ± 0,38 X,XX : ± 0,10

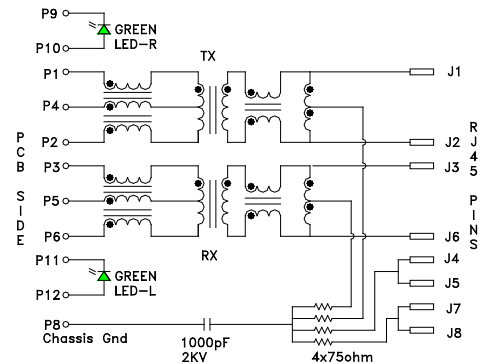
RECOMMENDED PCB LAND PATTERN



COMPONENT SIDE VIEW



N5414



N5418

N5414, N5418
06231W

Product performance is limited to specified parameter. Data is subject to change without prior notice.