

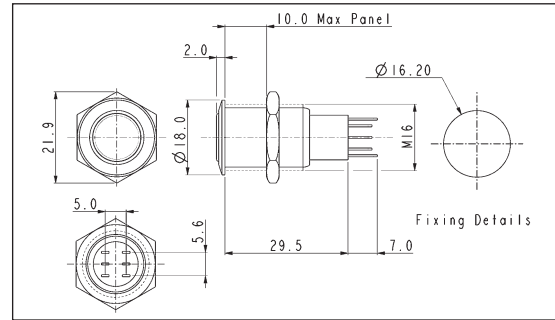
## Stainless Steel - Momentary

### LOW PROFILE



**MP0045/1D**

- 18mm bezel diameter
- 16mm fixing hole diameter
- D.P.C.O
- 3A, 250V

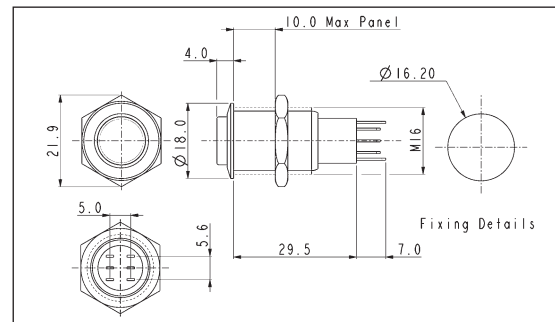


### PROMINENT BUTTON

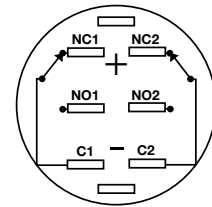


**MP0045/3D**

- 18mm bezel diameter
- 16mm fixing hole diameter
- D.P.C.O
- 3A, 250V



### Contact Layout



Specification	MP0045/1D0NN000	MP0045/3D0NN000
Terminations:	Solder tags	Solder Tags
Switching:	D.P.C.O Momentary Action	D.P.C.O Momentary Action
Max. Rating:	3A, 250V	3A, 250V
Contact Resistance:	50mΩ max. @ 1A, 2V	50mΩ max. @ 1A, 2V
Insulation Resistance:	>10 <sup>3</sup> MΩ @ 500Vdc	>10 <sup>3</sup> MΩ @ 500Vdc
Dielectric Strength:	> 2.0kVac	> 2.0kVac
Operating Temp. Range:	-20°C to +55°C	-20°C to +55°C
Operations		
Mechanical:	200,000 (min)	200,000 (min)
Electrical:	30,000 (min)	30,000 (min)
Rear Nut Fixing Torque:	12Nm max.	12Nm max.
Materials		
Mouldings:	Nylon	Nylon
Tags/Terminations:	Brass, Silver Plated	Brass, Silver Plated
Switch Body & Button:	Stainless Steel	Stainless Steel
Contacts:	Silver	Silver
Variants:	Nickel Plated Brass version available details on request	Nickel Plated Brass version available details on request
<b>RoHS</b>	Compliant	Compliant