

FEATURES

- HIGH RELIABILITY FOR LOW COST
- FREQUENCY STABILITY TO +/-15 PPM
- JITTER OPTIMIZED DIP 14 CLOCK OSCILLATOR
- EXCELLENT CLOCK SIGNAL GENERATOR FOR DSP'S AND CPU'S
- EXTENDED TEMPERATURE RANGE TO -40/+85°C

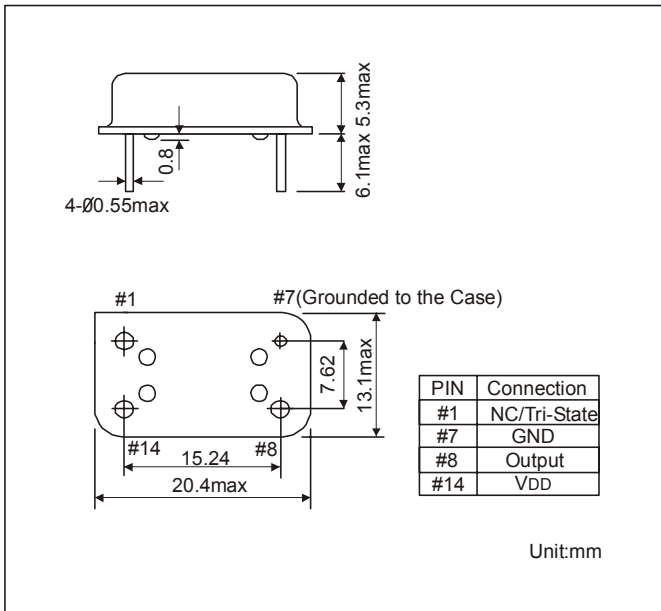
SERIES		M2500	
PACKAGE		14 PIN DIP	
FREQUENCY RANGE		32.768 kHz ~ 125.0 MHz	
FREQUENCY STABILITY		+15 ~ +/-100 ppm	
AGING		+5 ppm after first year	
OPERATING TEMPERATURE RANGE		0/+70°C ~ -40/+85°C	
STORAGE TEMPERATURE RANGE		-55/+125°C	
INPUT	VOLTAGE	+5.0 VDC +/-10%	
		CURRENT	30 mA max. < 24.0 MHz
	40 mA max. < 50.0 MHz		
	60 mA max. < 80.0 MHz		
OUTPUT	SYMMETRY	STANDARD	40/60%
		OPTION	45/55%
	RISE AND FALL TIME HCMOS		10 ns max. (10% VDD ~ 90% VDD)
	RISE AND FALL TIME TTL		10 ns max. (0.4V ~ 2.4V)
	"0" LEVEL	HCMOS 5.0 VOLT	10% VDD max.
			90% VDD min.
	"1" LEVEL	TTL 5.0 VOLT	0.4 V max.
			2.4 V min.
	LOAD	TTL	10 TTL
		HCMOS	15 pF
PIN 1	STANDARD	WITHOUT ENABLE/DISABLE FUNCTION	
	OPTION	WITH ENABLE/DISABLE FUNCTION	
TRISTATE LOGIC TABLE		PIN 1 INPUT	PIN 8 OUTPUT
		2.0V MIN. OR NOT CONNECTED	OSCILLATION
		0.8V MAX. OR GND	HIGH IMPEDANCE
PIN CONNECTION		SEE OUTLINE DRAWINGS	
START-UP TIME		10 ms max.	
PERIOD JITTER RMS		8 ps max.	
OTHER PARAMETERS ARE AVAILABLE ON REQUEST / CREATE HERE YOUR SPECIFICATION			

PART NUMBERING SYSTEM

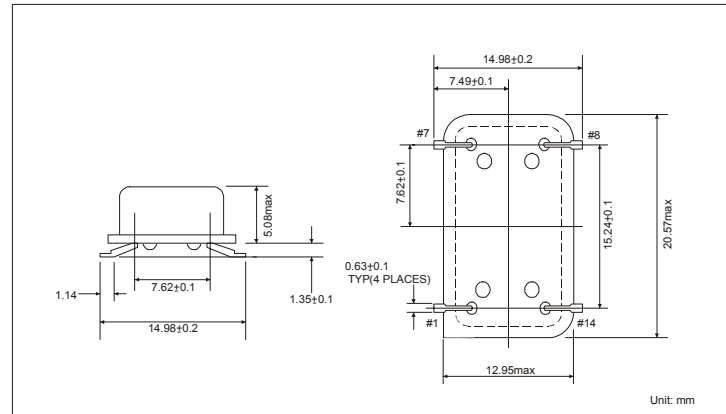
EXAMPLE	M2500-25-W-S-E-G-125.0MHz
----------------	---------------------------

SERIES	M2500
FREQUENCY STABILITY	BLANK FOR 100 PPM ANY 50 ~ 15 PPM
TEMPERATURE RANGE	BLANK FOR 0/+70°C N = -10/+60°C M = -20/+70°C W = -40/+85°C
SYMMETRY	BLANK FOR 40/60% S FOR 45/55%
PIN 1 ENABLE/DISABLE	BLANK FOR NO E/D E FOR E/D
PIN CONFIGURATION	BLANK FOR DIP G FOR GULL WING
FREQUENCY	REQUIRED FREQUENCY

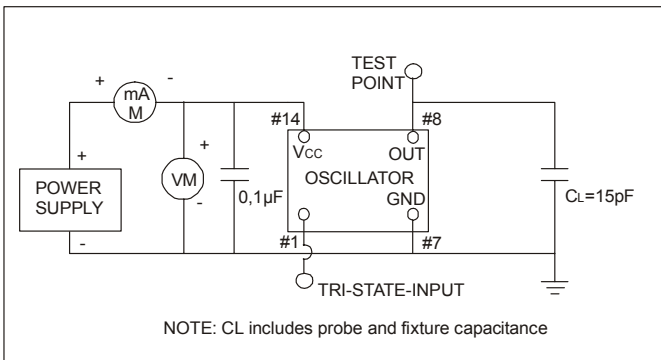
OUTLINE DRAWING OF M2500



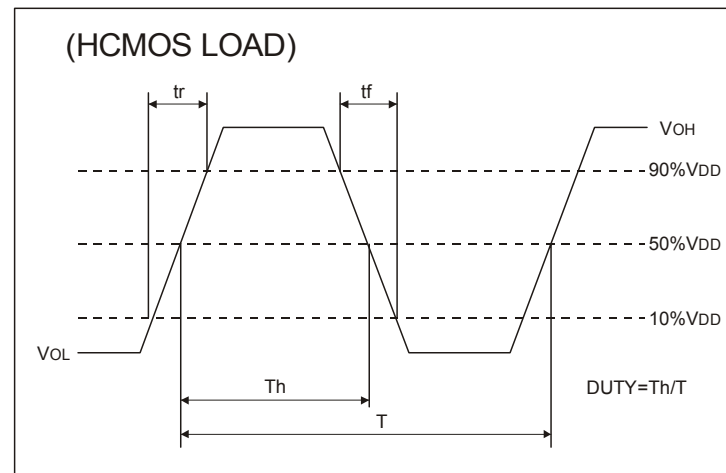
OUTLINE DRAWING OF M2500 GULL WING



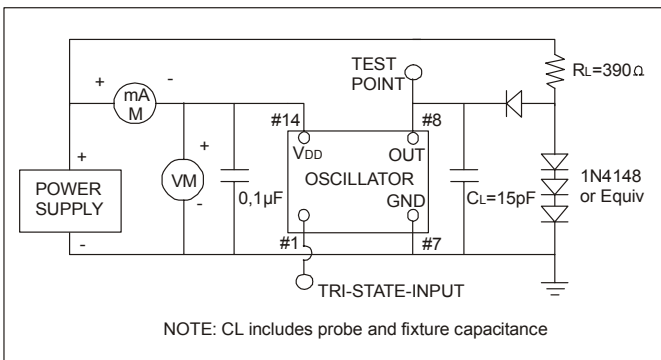
TEST CIRCUIT FOR HCMOS



HCMOS OUTPUT WAVE FORM



TEST CIRCUIT FOR TTL



TTL OUTPUT WAVE FORM

