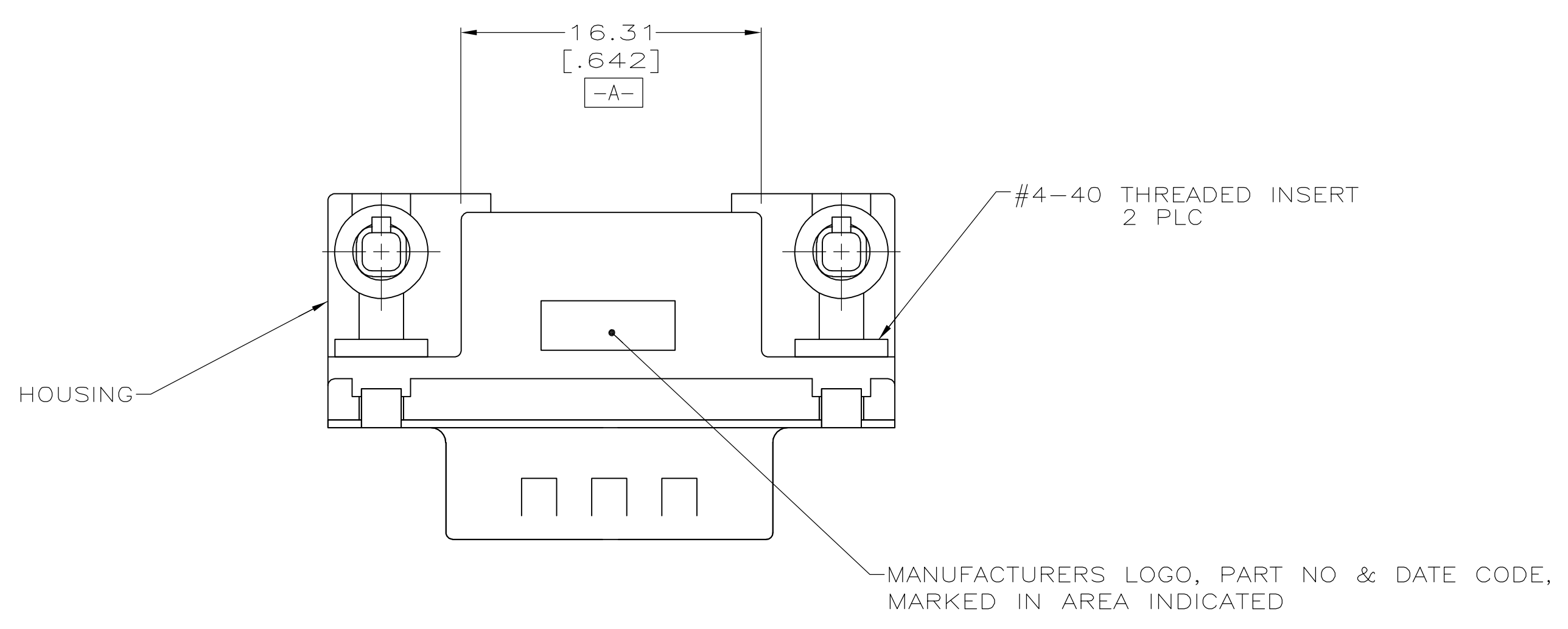
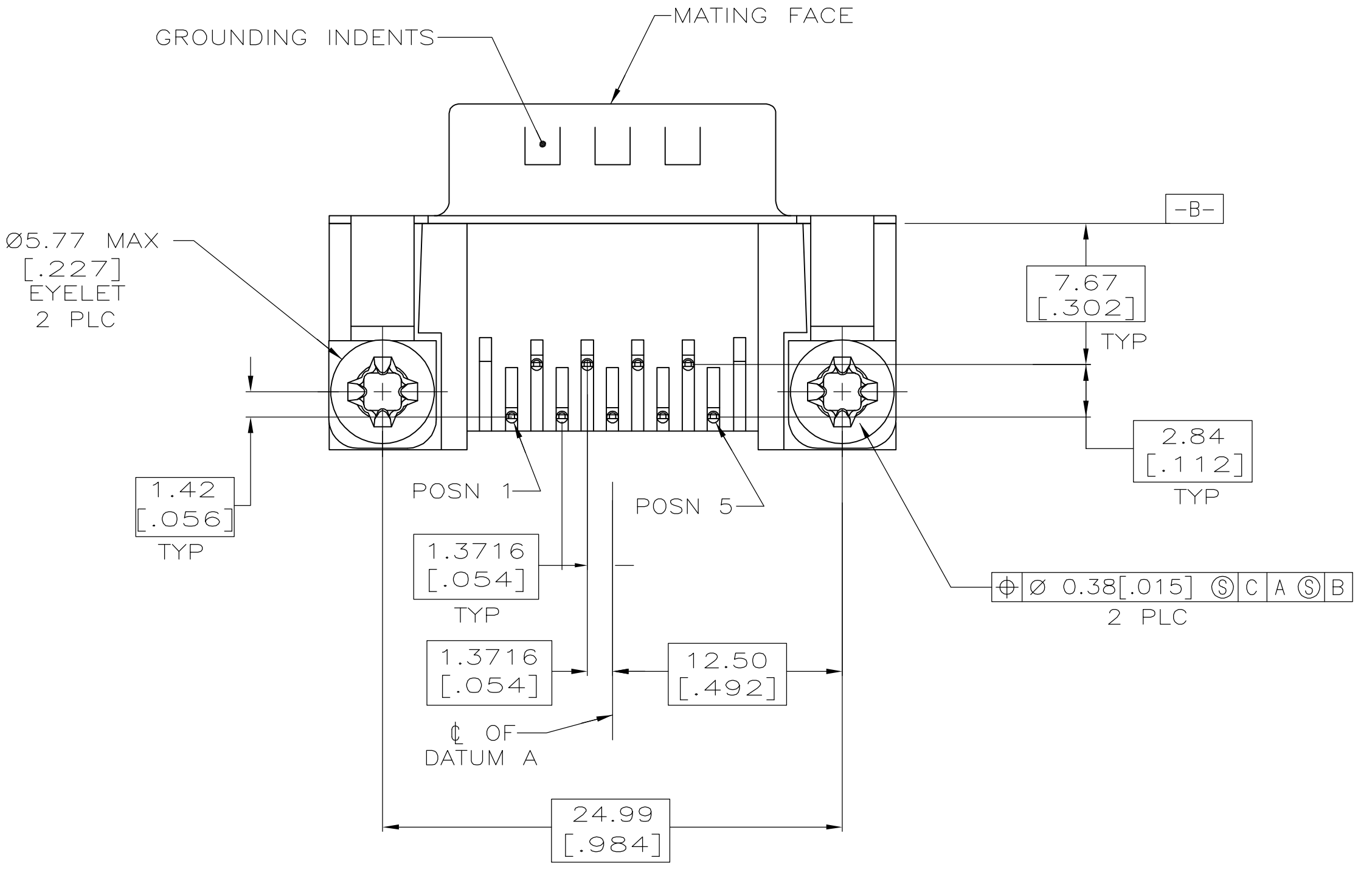
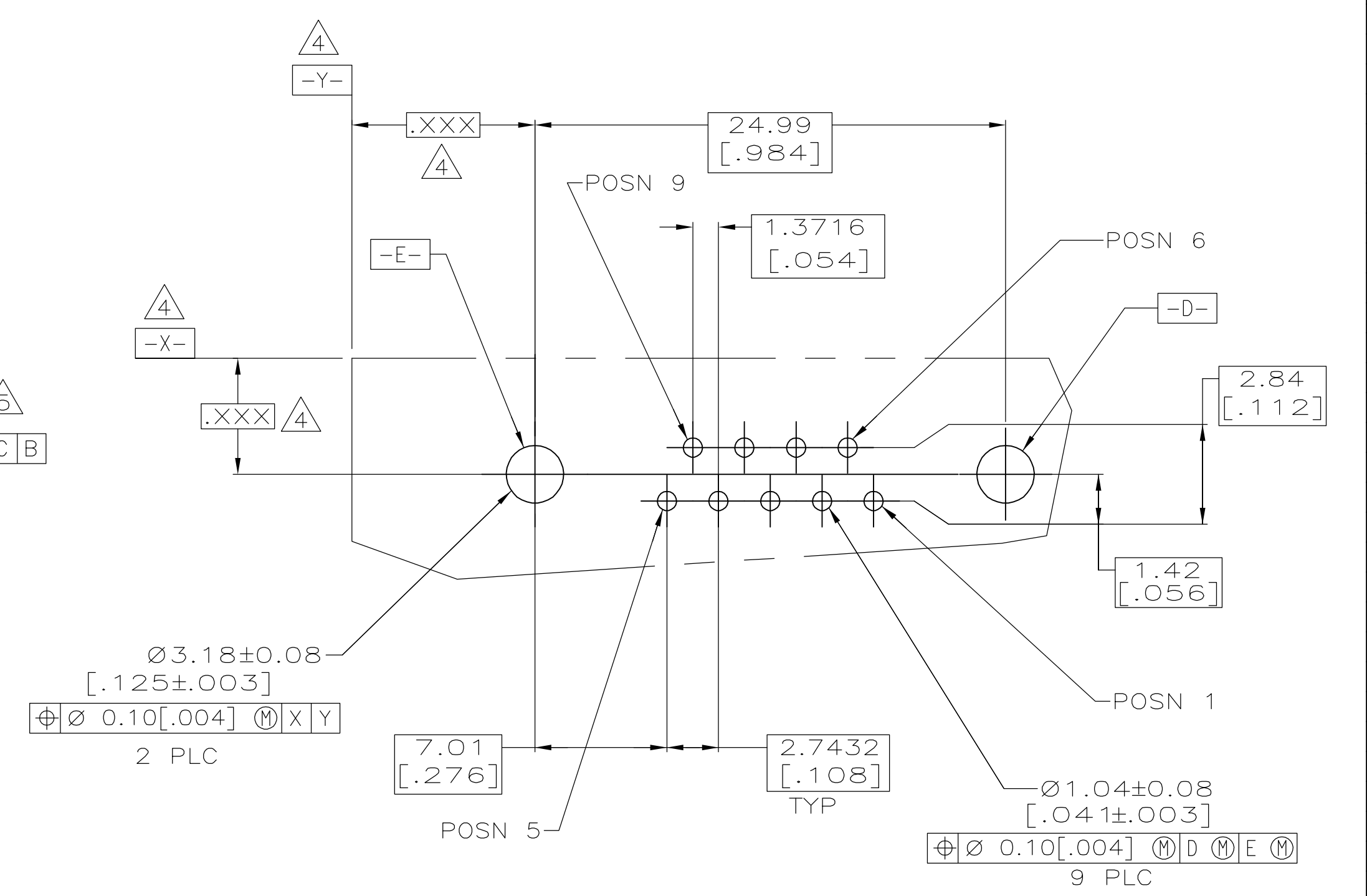
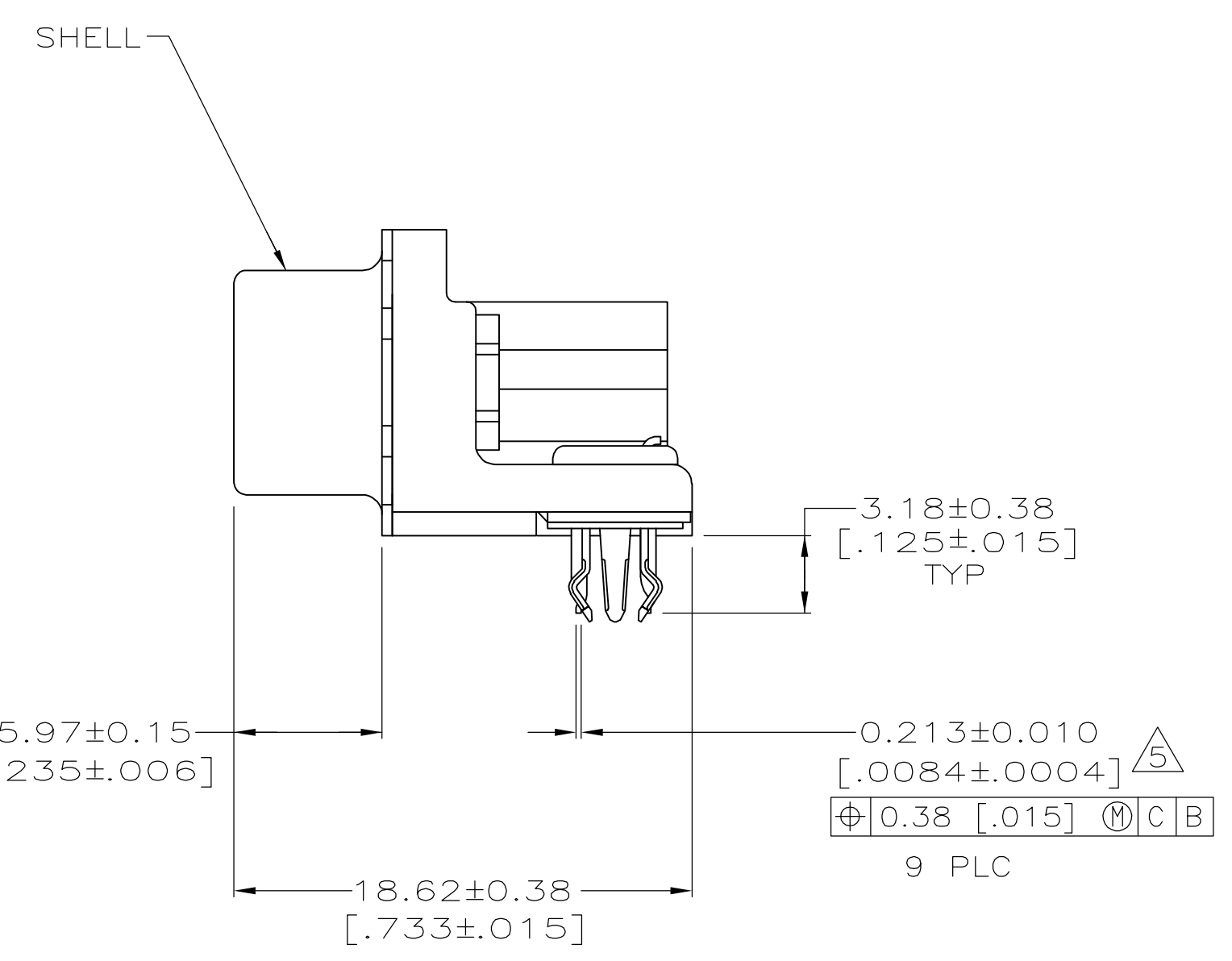
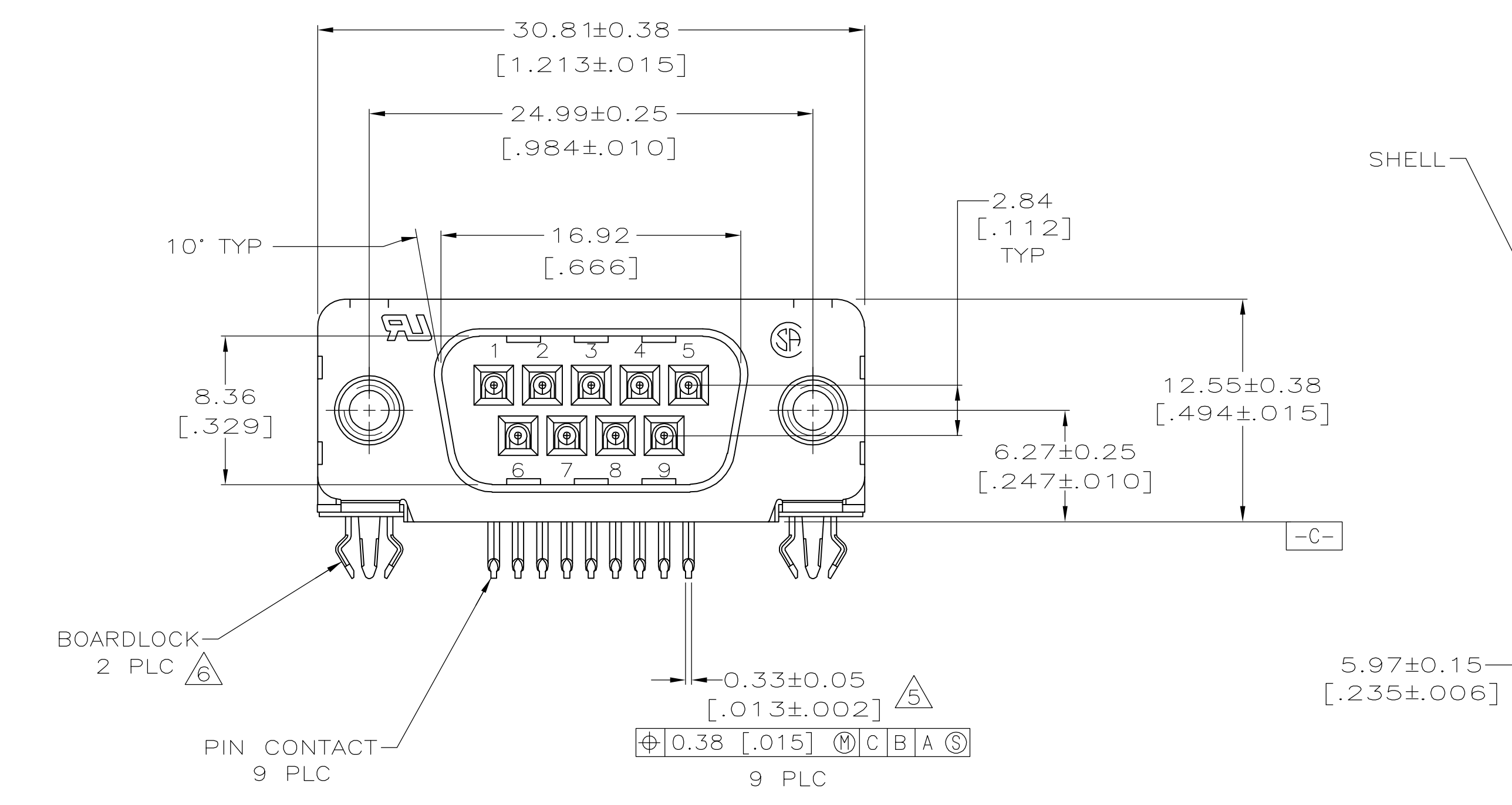


LOC		DIST		REVISONS			
GP	00	REV	DATE	BY	APPD	DATE	BY
A		REVISED PER ECO-06-028339	3/JAN/07	ZMREDB			



- △ HOUSING: NYLON, UL 94VO RATED, BLACK; SHELL: CARBON STEEL; PIN CONTACTS: BRASS; EYELETS: BRASS; THREADED INSERTS: ZINC; BOARDLOCKS: COPPER ALLOY.
- △ PIN CONTACTS: GOLD PLATED FOR A LENGTH OF 3.81 [.150] MIN FROM MATING END, 0.76μm [.000030] MIN GOLD IN MATED AREA, 2.54μm [.000100] MIN TIN FOR A LENGTH OF 3.56 [.140] MIN FROM OPPOSITE END, BOTH OVER 1.27μm [.000050] MIN NICKEL.  
 -OR-  
 GOLD FLASH OVER PALLADIUM NICKEL PLATED FOR A LENGTH OF 3.81 [.150] MIN FROM MATING END, 0.76μm [.000030] MIN PALLADIUM NICKEL IN MATED AREA, 2.54μm [.000100] MIN TIN FOR A LENGTH OF 3.56 [.140] MIN FROM OPPOSITE END, BOTH OVER 1.27μm [.000050] MIN NICKEL.  
 EYELETS: 2.54μm [.000100] MIN TIN OVER COPPER FLASH.  
 SHELL: 2.54μm [.000100] MIN TIN OVER 1.27μm [.000050] MIN COPPER.  
 THREADED INSERTS: CLEAR CHROMATE.  
 BOARDLOCKS: 3.81μm [.000150] MIN TIN OVER 1.27μm [.000050] MIN NICKEL.
- △ PIN CONTACTS: GOLD PLATED FOR A LENGTH OF 3.81 [.150] MIN FROM MATING END, GOLD FLASH IN MATED AREA, 2.54μm [.000100] MIN TIN FOR A LENGTH OF 3.56 [.140] MIN FROM OPPOSITE END, BOTH OVER 1.27μm [.000050] MIN NICKEL.  
 EYELETS: 2.54μm [.000100] MIN TIN OVER COPPER FLASH.  
 SHELL: 2.54μm [.000100] MIN TIN OVER 1.27μm [.000050] MIN COPPER.  
 THREADED INSERTS: CLEAR CHROMATE.  
 BOARDLOCKS: 3.81μm [.000150] MIN TIN OVER 1.27μm [.000050] MIN NICKEL.
- △ DATUMS AND BASIC DIMENSIONS ESTABLISHED BY CUSTOMER.
- △ POSITION TOLERANCE APPLIES AT CONTACT TIP.
- △ BOARDLOCKS WILL ACCEPT .062 MAX PRINTED CIRCUIT BOARD THICKNESS.
- 7. COMPATIBLE WITH REFLOW SOLDERING APPLICATIONS TO A MAXIMUM OF 225°C FOR A MAXIMUM DURATION OF 90 SECONDS. TEMPERATURE TO BE MEASURED ON CONNECTOR SURFACE.



3	5788792-2
2	5788792-1
FINISH	PART NO

**COPYRIGHT 2005  
 TYCO ELECTRONICS CORP  
 ALL RIGHTS RESERVED**

THIS DRAWING IS A CONTROLLED DOCUMENT.		DIN L VARELA - DOCKS 04-11-05		Tyco Electronics Corporation	
DIMENSIONS: mm [INCHES]		CHK S BOLASH 04-11-05		Harrisburg, PA 17105-3608	
TOLERANCES UNLESS OTHERWISE SPECIFIED:		APPD M WALMSLEY 04-11-05		NAME	
0 PLC ± -	1 PLC ± -	PRODUCT SPEC		PLUG ASSEMBLY, SIZE 1, 318 SERIES, WITH FRONT METAL SHELL, HIGH TEMPERATURE, AMPLIMITE HD-20	
2 PLC ± 0.13 [.005]	3 PLC ± -	APPLICATION SPEC		108-40025	
4 PLC ± -	ANGLES ± -	SIZE		114-40010	
MATERIAL	FINISH	CAGE CODE		DRAWING NO	
SEE TABLE	SEE TABLE	A1		00779C=5788792	
CUSTOMER DRAWING		SCALE		SHEET	
		4:1		1 OF 1	
				REV A	