



# TAI-SAW TECHNOLOGY CO., LTD.

No. 3, Industrial 2nd Rd., Ping-Chen Industrial District,  
Taoyuan, 324, Taiwan, R.O.C.

TEL: 886-3-4690038 FAX: 886-3-4697532

E-mail: [tstsales@mail.taisaw.com](mailto:tstsales@mail.taisaw.com) Web: [www.taisaw.com](http://www.taisaw.com)

## Approval Sheet For Product Specification

Issued Date:

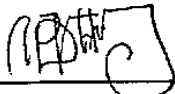
Product Name: SAW Filter 897.5 MHz SMD 3X3 mm

TST Parts No.:TA1003A

Customer Parts No.: \_\_\_\_\_

Company: _____
Division: _____
Approved by : _____
Date: _____

Checked by: David Chang 張閱智

Approval by: Francis Chen 

Date: 2009/03/26



# TAI-SAW TECHNOLOGY CO., LTD.

No. 3, Industrial 2nd Rd., Ping-Chen Industrial District,  
Taoyuan, 324, Taiwan, R.O.C.

TEL: 886-3-4690038 FAX: 886-3-4697532

E-mail: [tstsales@mail.taisaw.com](mailto:tstsales@mail.taisaw.com) Web: [www.taisaw.com](http://www.taisaw.com)

## SAW Filter 897.5 MHz

MODEL NO.: TA1003A

REV. NO.:1

### A. MAXIMUM RATING:

1. Input Power Level: 20 dB<sub>m</sub>
2. DC voltage: 3 V
3. Operating Temperature: -20°C to +75°C
4. Storage Temperature: -40°C to +85°C

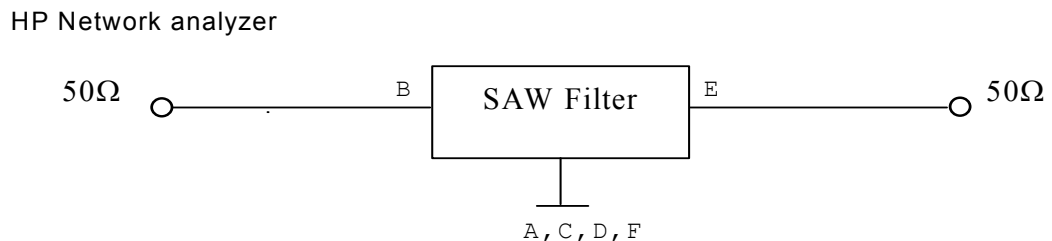
RoHS Compliant  
Lead free  
Lead-free soldering

### B. ELECTRICAL CHARACTERISTICS:

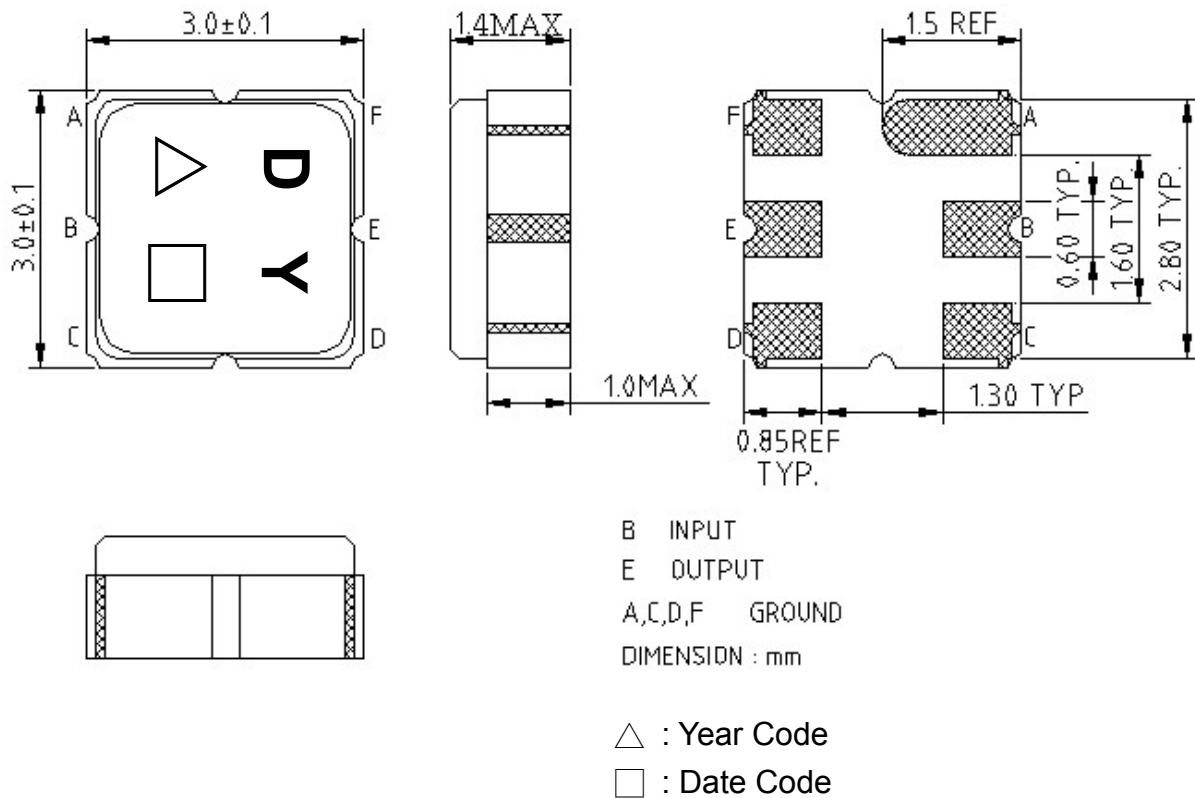
Item	Unit	Min.	Typ.	Max.
<b>Center frequency</b> <b>F<sub>c</sub></b>	MHz	-	897.5	-
<b>Insertion loss</b> (880 ~ 915 MHz) <b>IL</b>	dB	-	2.1	3.0
<b>Amplitude ripple</b> (880 ~ 915 MHz)	dB	-	1.0	2.0
<b>Attenuation</b> (Reference level from 0 dB)				
D.C. ~ 860 MHz	dB	17	19	-
925 ~ 935 MHz	dB	5	12.4	-
935 ~ 960 MHz	dB	20	24	-
980 ~ 2000 MHz	dB	20	22	-
<b>VSWR</b> (880 ~ 915 MHz)		-	2	2.6
<b>Source impedance</b> <b>Z<sub>s</sub></b>	Ω	-	50	-
<b>Load impedance</b> <b>Z<sub>L</sub></b>	Ω	-	50	-

Note1. The standard definitions is in JIS C 6703

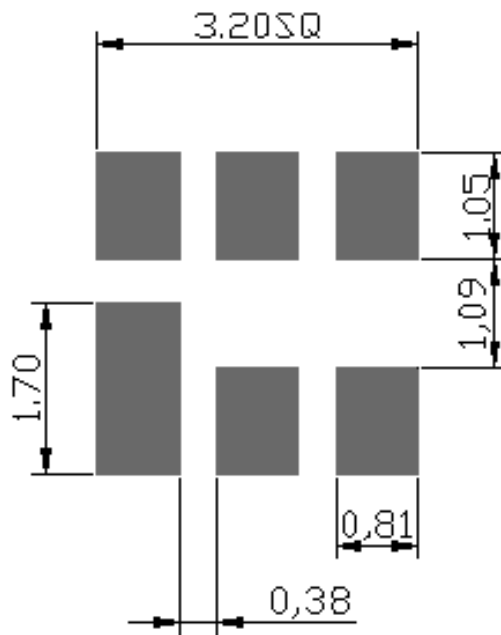
### C. MEASUREMENT CIRCUIT:



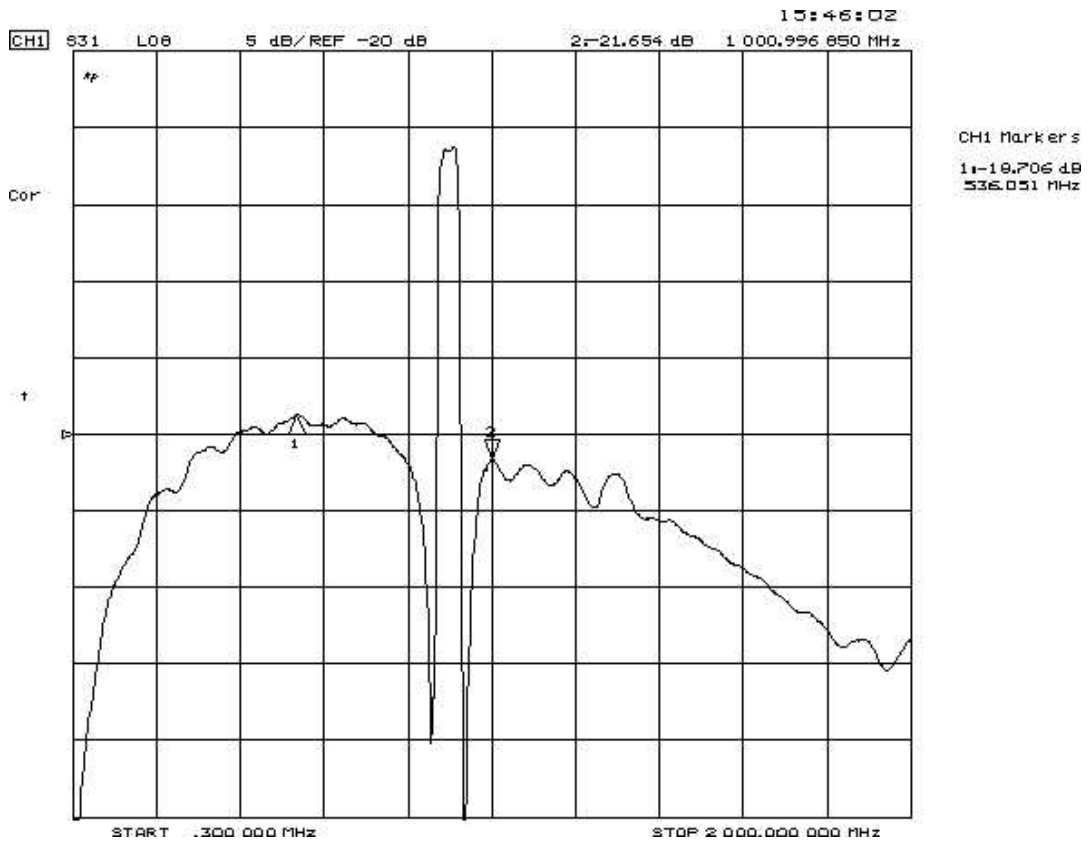
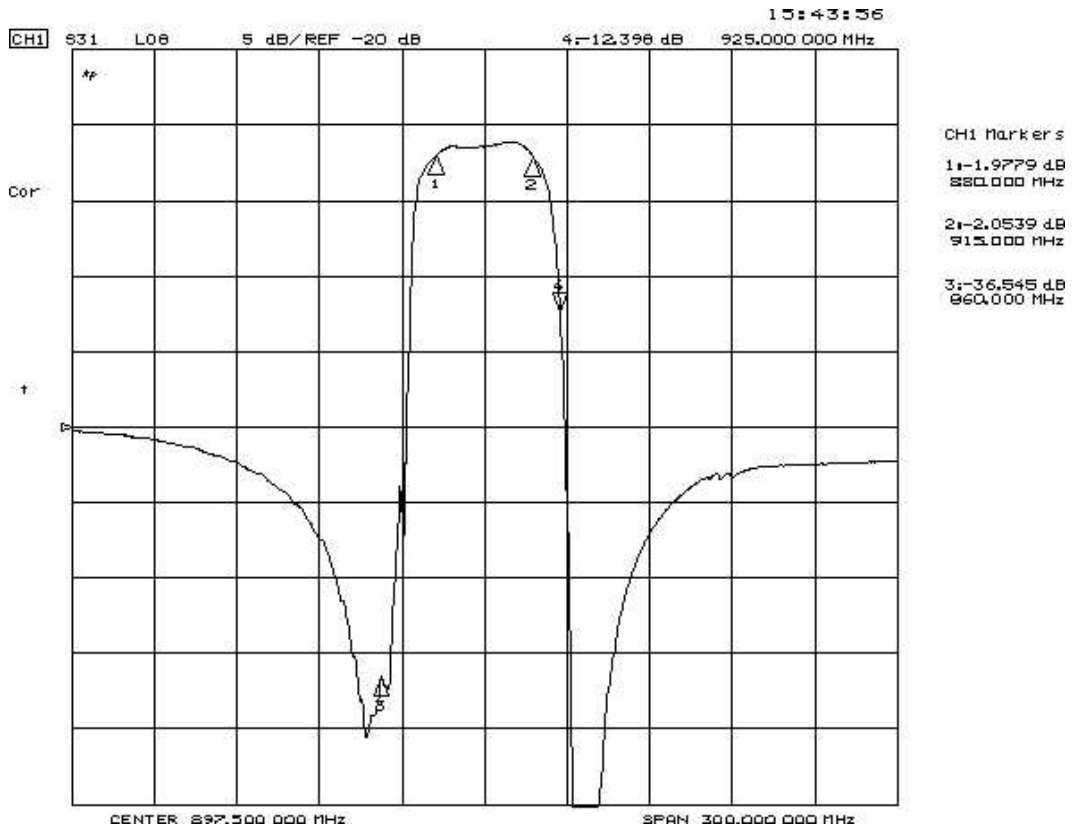
**D. OUTLINE DRAWING:**



**E. PCB Footprint:**

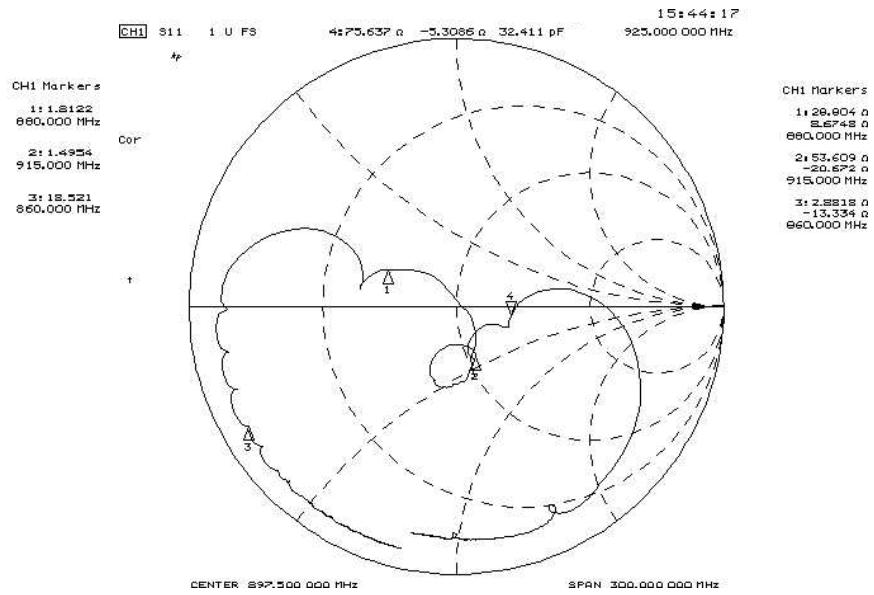
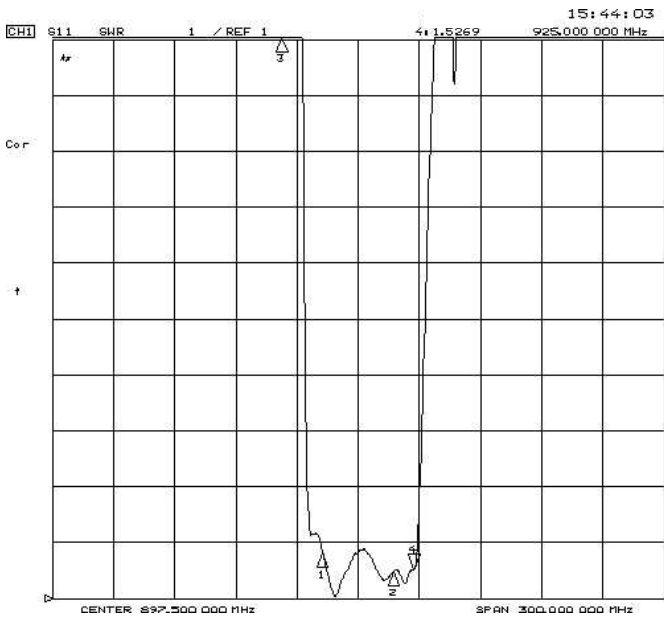


## F. Frequency Characteristics : Transfer function

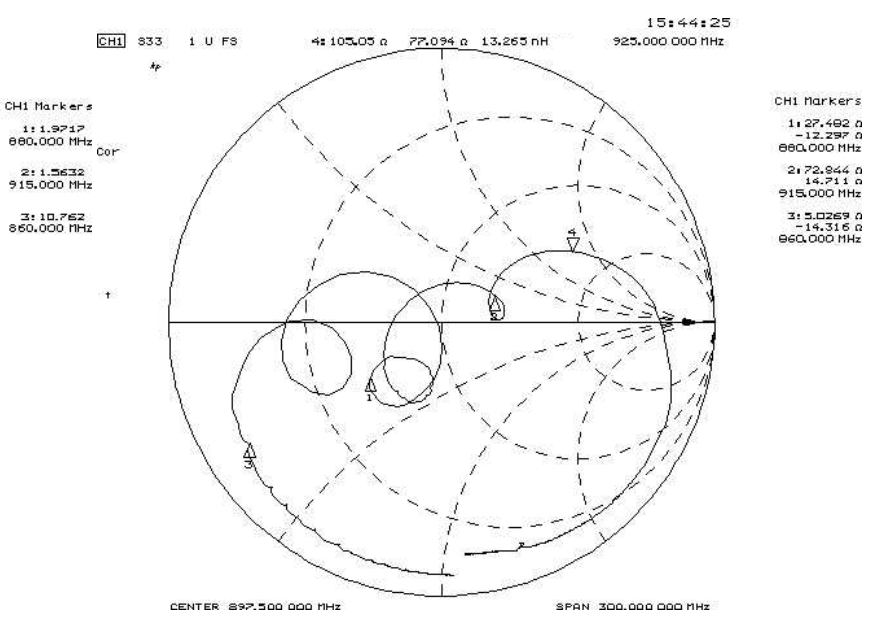
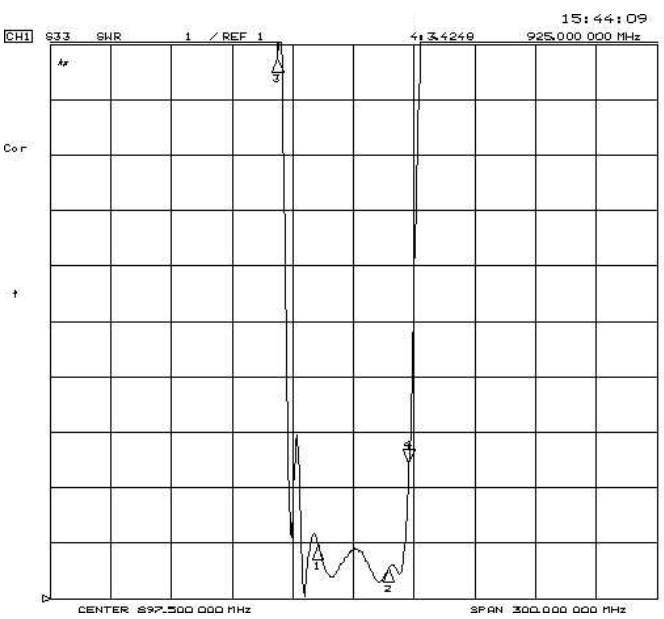


# Reflections Functions :

## S11

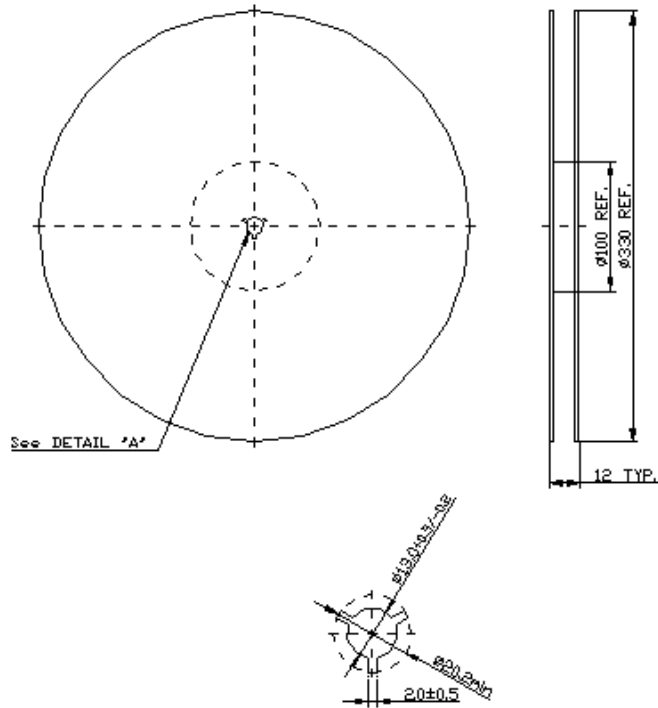


## S22



**G. PACKING:**

**1. REEL DIMENSION**



**2. TAPE DIMENSION**

