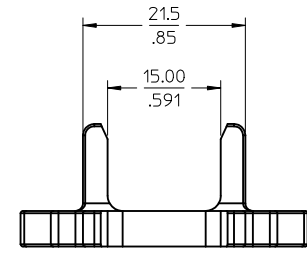
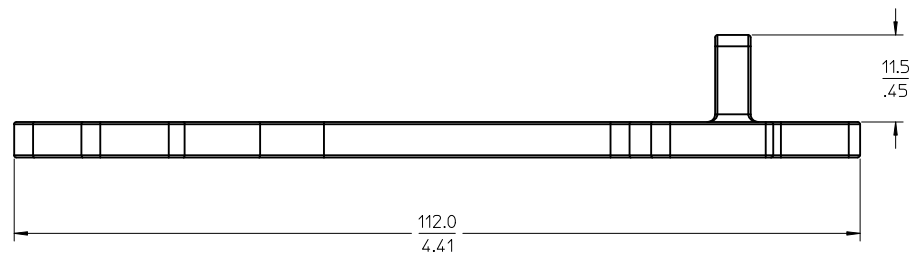
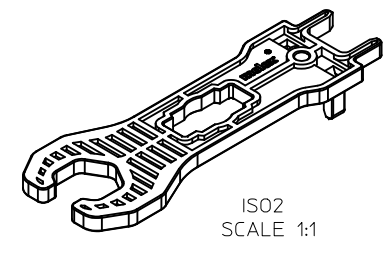
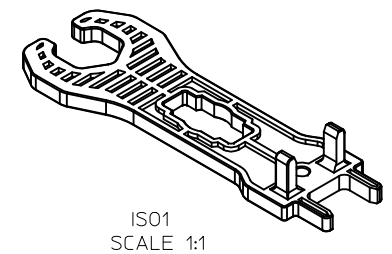
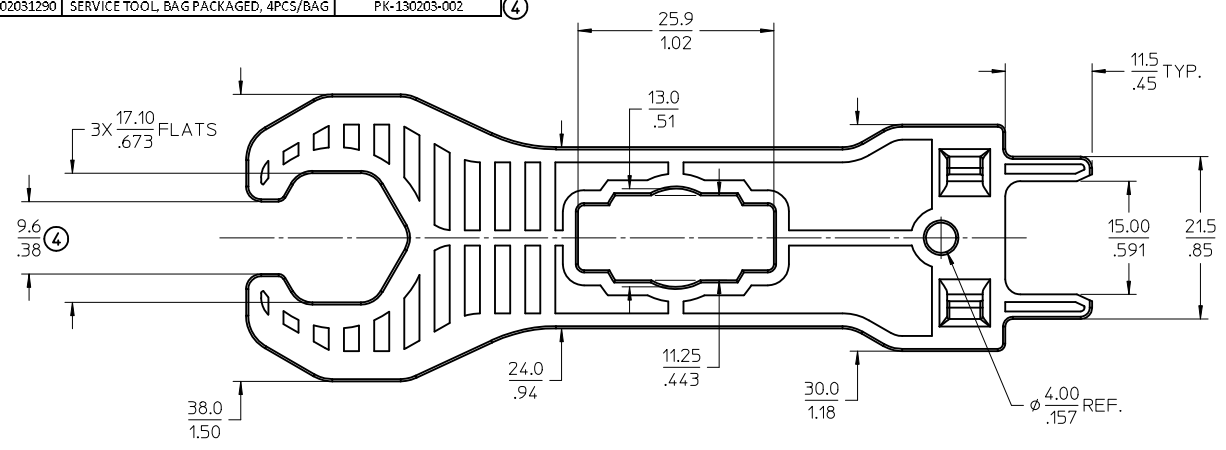


MATERIAL NUMBER	DESCRIPTION	PACKAGING SPECIFICATION
1302031250	SERVICE TOOL, BULK PACKAGED	PK-130203-001
1302031290	SERVICE TOOL, BAG PACKAGED, 4PCS/BAG	PK-130203-002

④



NOTES:

1. MATERIAL: POLYAMIDE 66 (PA66)
2. FINISH: BLACK
3. PRODUCT SPECIFICATION: PS-130244-001
- ④ 4. PACKAGING SPECIFICATION: SEE CHART
5. APPLICATION SPECIFICATION: AS-130244-001
6. USE WITH: 130244 SERIES HOUSING ASSEMBLIES

REV	DESCRIPTION	DATE	APPROVED BY	CHKD.	DRWN.	EC NO.	UPDATE PER
4		2011/01/18	DTITUS		CLYORK	WNA2011-0358	FPR/ADD MATL#
		2011/01/05					

QUALITY SYMBOLS	VALUE
∇	=0
∇	=0

GENERAL TOLERANCES (UNLESS SPECIFIED)

	mm	INCH
4 PLACES	± .005	± .0005
3 PLACES	± .010	± .0010
2 PLACES	± 0.25	± .02
1 PLACE	± 0.5	± .05

ANGULAR ± 3°

DRAFT WHERE APPLICABLE MUST REMAIN WITHIN DIMENSIONS

DIMENSION STYLE		SCALE	DESIGN UNITS	THIRD ANGLE PROJECTION
MM/IN		2:1	METRIC	<input checked="" type="checkbox"/>
DRAWN BY	DATE	TITLE		
CLYORK	2010/04/15	UNLOCK TOOL, PV SOLAR DC CONNECTOR		
CHECKED BY	DATE	APPROVED BY		
DTITUS	2010/04/15	DTITUS		
APPROVED BY		DATE		
DTITUS		2010/05/07		
MATERIAL NO.		DOCUMENT NO.		
SEE CHART		MOLEX INCORPORATED		
SIZE		SHEET NO.		
C		SD-130203-001		
		1 OF 1		

THIS DRAWING CONTAINS INFORMATION THAT IS PROPRIETARY TO MOLEX INCORPORATED AND SHOULD NOT BE USED WITHOUT WRITTEN PERMISSION