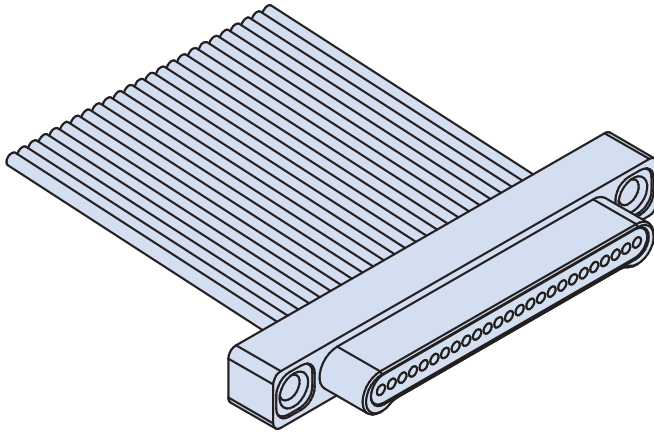


890-001 and -002 Series 89 Nanominiature Connectors Single Row Insulated Wire Pigtail Assemblies



Single Row Connectors



Glenair's Pigtail Nano Connectors feature gold alloy TwistPin contacts. Contacts are precision-crimped to insulated, stranded wire. These nanominiature connectors offer premium performance and reliability for demanding applications. Contact spacing is .025 inches. 1 amp current rating, DWV rating 300 volts AC. Wire gages #30 and #32 AWG.

TwistPin Contact System assures premium performance in demanding environments. The gold/platinum alloy contacts will stand up to years of exposure without corrosion.

Typical Applications include UAV's, satellites, missile systems and geophysical instruments.

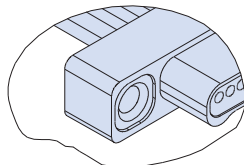
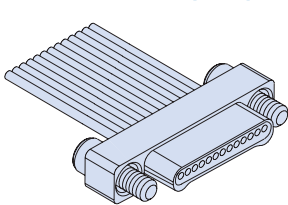
HOW TO ORDER NANOMINIATURE CONNECTORS WITH INSULATED WIRE

Series	Insert Arrangement/ Contact Type	Shell Material and Finish	Wire Gage	Wire Type	Wire Color Code	Wire Length Inches	Hardware	
890-001 Plug, Pin Contacts, Single Row, Nanominiature	Plugs (890-001) 9P 15P 21P 25P 31P 37P 51P	A1 Aluminum Shell, Cadmium Plating	0 #30 AWG	A B C	1 White	18 Wire Length In Inches. "18" Specifies 18 Inches.	J Jackscrew, #0-80 T #0-80 Female Thread	
		A2 Aluminum Shell, Electroless Nickel Plating	2 #32 AWG					
890-002 Receptacle, Socket Contacts, Single Row, Nanominiature	Receptacles (890-002) 9S 15S 21S 25S 31S 37S 51S	T Titanium Shell, Unplated		Extruded PTFE Insulation, NEMA HP3-ETX (MIL-W-16878/6)	7 10 Color Repeating (wire type A is striped, types B and C are solid colors)		Female threads are available on plug connectors only if the shell material is titanium or stainless steel.	
		S Stainless Steel Shell, Passivated						

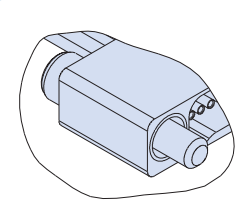
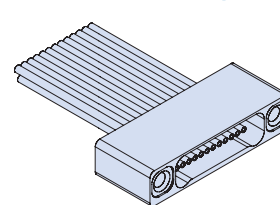
Sample Part Number

890-002	- 9S	A1	- 0	A	1	- 12	J
----------------	-------------	-----------	------------	----------	----------	-------------	----------

PLUG (PIN) CONNECTOR

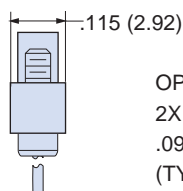
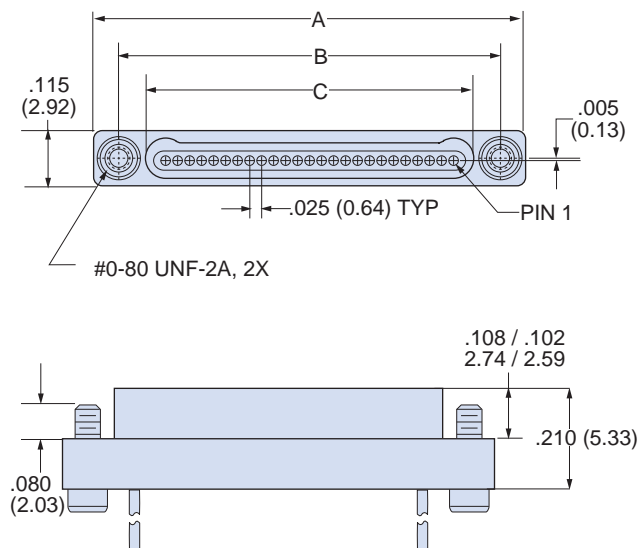


RECEPTACLE (SOCKET) CONNECTOR

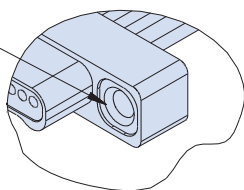


SINGLE ROW NANO PIGTAIL DIMENSIONS

Plug (Pin) Connectors

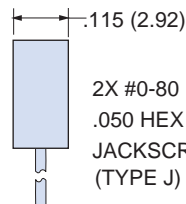
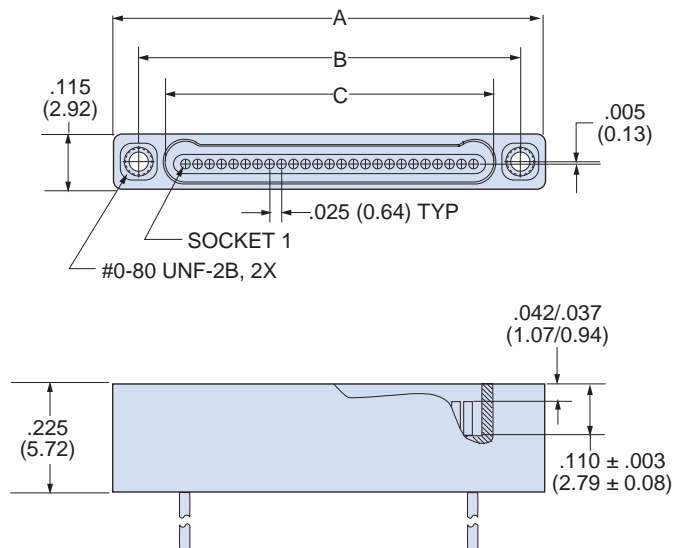


OPTIONAL
2X #0-80 UNF-2B
.090 MIN. THREAD
(TYPE T)

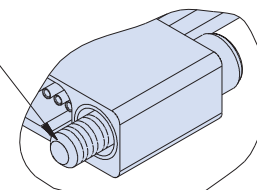


Titanium or Stainless
Steel Shells Only

Receptacle (Socket) Connectors



2X #0-80 UNF-2A
.050 HEX DRIVE
JACKSCREW
(TYPE J)



Layout	A		B BSC.		C BSC.	
	In. ± .005	mm. ± 0.13	In.	mm.	In.	mm.
9P	.500	12.70	.395	10.03	.284	7.21
9S	.500	12.70	.395	10.03	.285	7.24
15P	.650	16.51	.545	13.84	.434	11.02
15S	.650	16.51	.545	13.84	.435	11.05
21P	.800	20.32	.695	17.65	.584	14.83
21S	.800	20.32	.695	17.65	.585	14.86
25P	.900	22.86	.795	20.19	.684	17.37
25S	.900	22.86	.795	20.19	.685	17.40
31P	1.050	26.67	.945	24.00	.834	21.18
31S	1.050	26.67	.945	24.00	.835	21.21
37P	1.200	30.48	1.095	27.81	.984	24.99
37S	1.200	30.48	1.095	27.81	.985	24.02
51P	1.550	39.37	1.445	36.70	1.334	33.88
51S	1.550	39.37	1.445	36.70	1.335	33.91