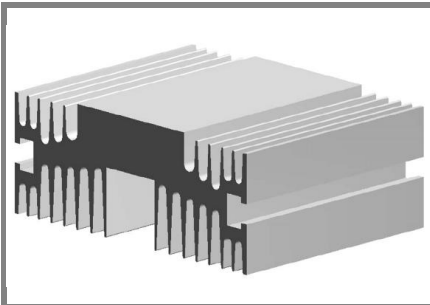


P 8,5



Heatsink

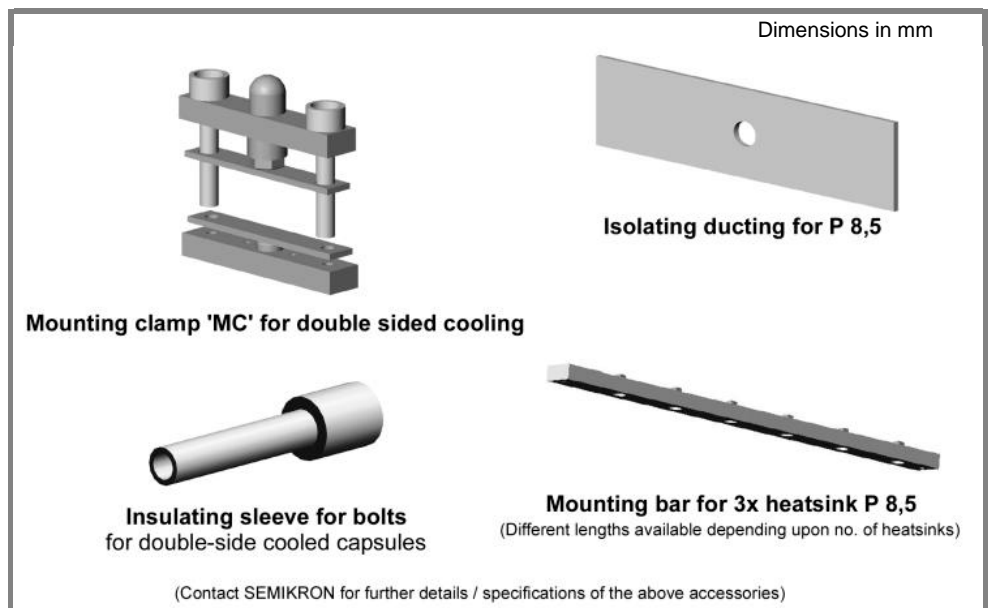
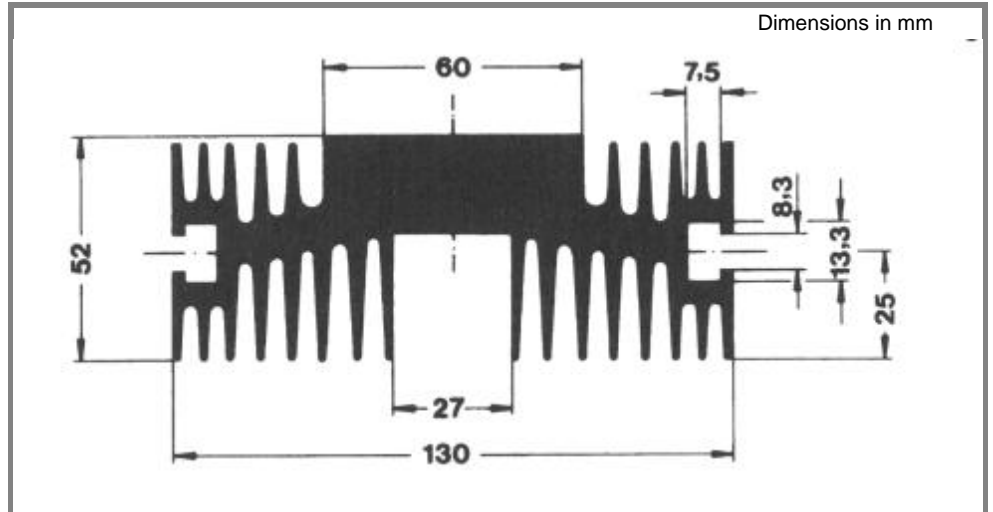
For capsule devices

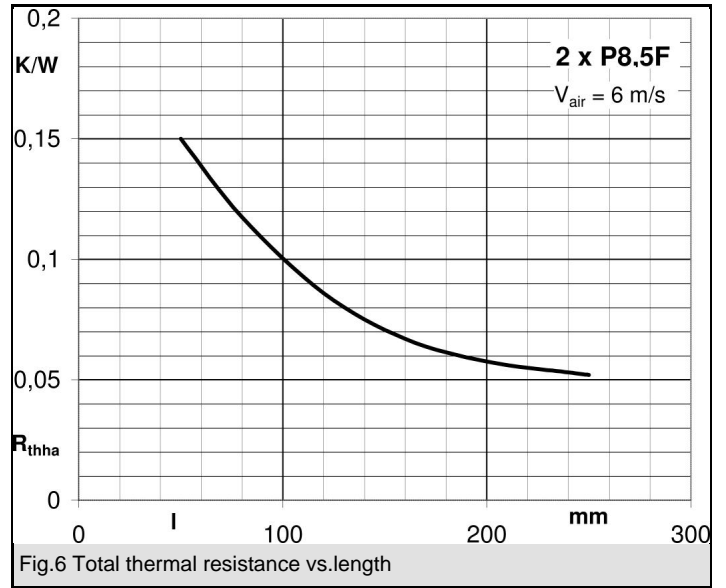
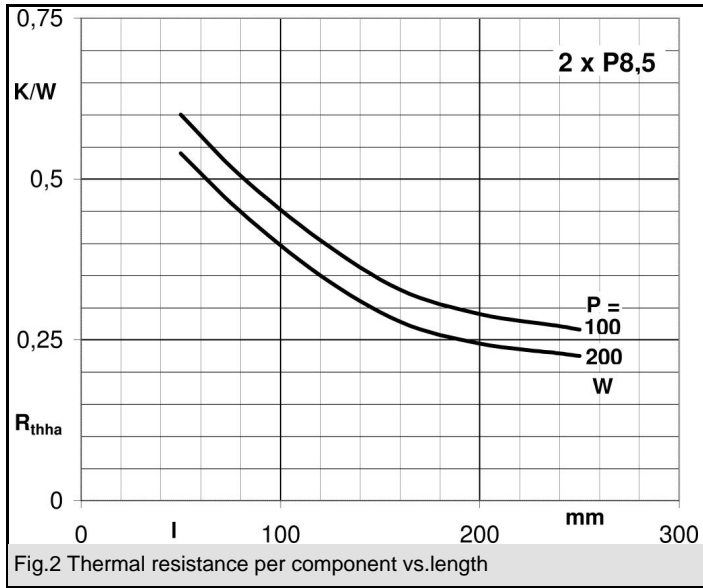
P8,5

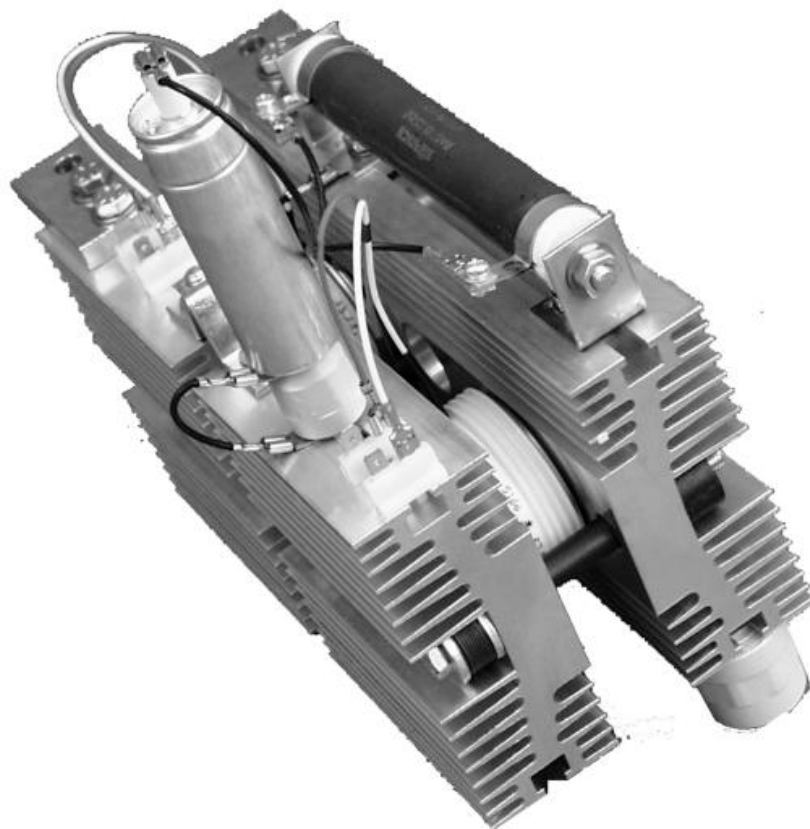
Features

- Intended for double-sided cooling of capsule devices with diameters upto 48mm
- Designed for natural or forced air cooling
- Available in various lengths

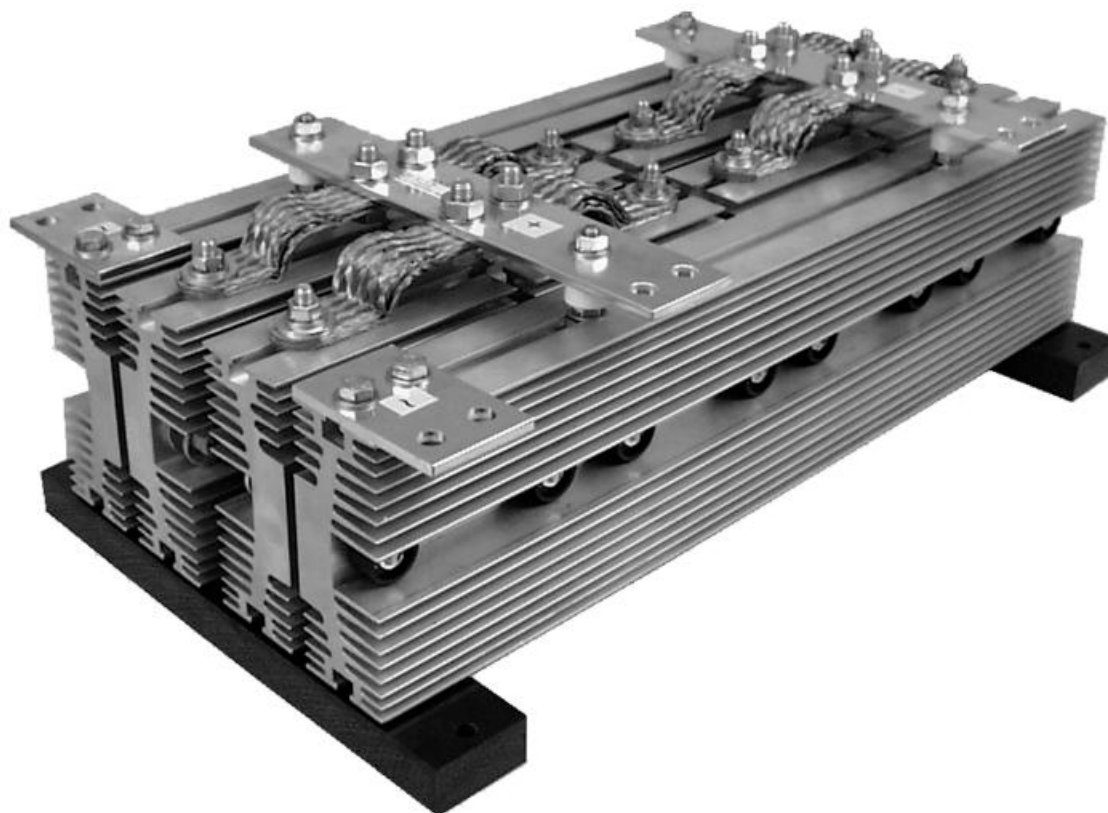
Standard lengths	n	b / d Ø mm	R_{thca} natural cooling K/W	R_{thha} $V_{air} = 6 \text{ m/s}$ K/W	w kg
2x P 8,5/150		33 ± 2	0,3 (200 W)	0,07	2,9







1.Application example using heatsink P 8,5 to give a single phase AC controller



2.Application example using heatsink to give an uncontrolled single phase bridge rectifier stack