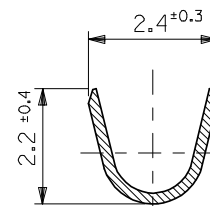
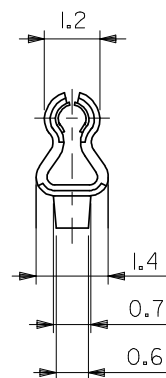
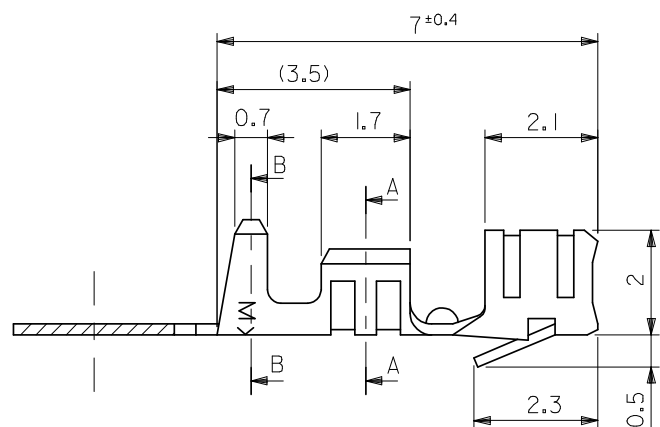


断面 A-A  
SECT. A-A

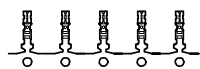
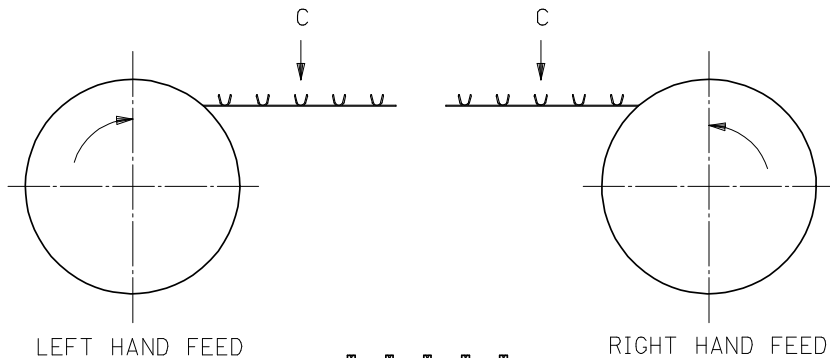


断面 B-B  
SECT. B-B



注記  
NOTE

- 材質：リン青銅 (t=0.203)  
MATERIAL : PHOSPHOR BRONZE
- メッキ：前錫メッキ  
FINISH : PRE TINNED
- 使用ハウジング：5264 シリーズ  
SUITABLE HOUSING : 5264 SERIES
- 適用電線範囲：AWG#22~28 ( 0.33 ~ 0.08mm<sup>2</sup> )  
WIRE RENG : AWG #22-28(0.33 - 0.08mm<sup>2</sup>)
- 被覆外形：φ1.15 ~ φ1.9  
INSULATION RANGE : φ 1.15 - φ1.9



VIEW C

RIGHT HAND	39-00-0159	5263PBTR	連鎖状 CHAIN
LEFT HAND	08-70-1040	5263PBTL	バラ状 LOOSE
	08-70-1039	5263PBT	連鎖状 CHAIN
FEED TYPE	EDP NO.	ENG. NO.	端子形状 FORM

REVISED EC NO: J2008-4450 DRAWN: NABEI 2008/07/01 CHKD: KTOYODA 2008/07/02 APPR: NUKITA 2008/07/02	GENERAL TOLERANCES (UNLESS SPECIFIED)		DIMENSION STYLE MM ONLY	SCALE 10:1	DESIGN UNITS METRIC	MODEL NO.
	10 UNDER	±0.2	DRAWN BY K. TOJO	DATE '91/07/19	THIRD ANGLE PROJECTION	
	10 OVER 30 UNDER	±0.25	CHECKED BY M. FUKUSHIMA	DATE '91/08/09	2.5 LOW PROFILE CRIMP RECEPTACLE	
	30 OVER	±0.3	APPROVED BY M. ENOMOTO	DATE '91/08/09	MOLEX INCORPORATED	
	ANGULAR	±3 °	MATERIAL NO.	DOCUMENT NO.	SHEET NO. 1 OF 1	
DRAFT WHERE APPLICABLE MUST REMAIN WITHIN DIMENSIONS		SEE TABLE		SD-5263-003		EN-02JA(021)