

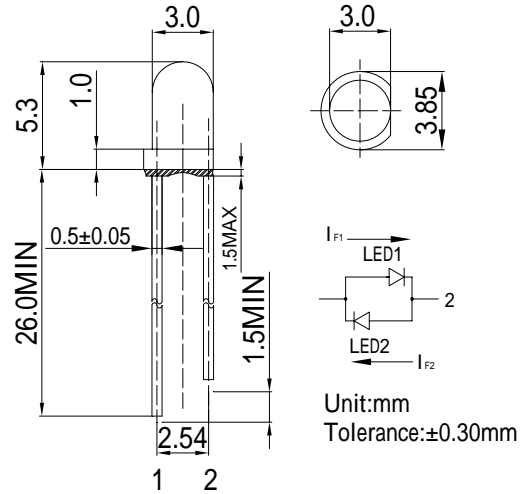
**■Features**

- High Luminous LEDs
- 3mm Round Standard Directivity
- Long Lifetime Operation
- Superior Weather-resistance
- UV Resistant Epoxy/ Water Clear Type

**■Applications**

- Toys
- Audio
- Games
- Other Lighting

**■Outline Dimension**

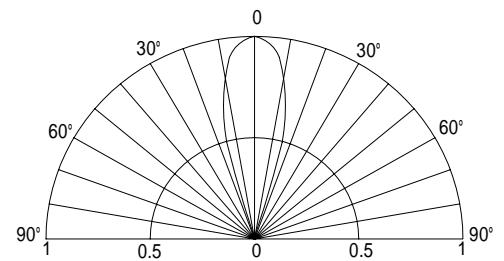


**■Absolute Maximum Rating**

(Ta=25 )

| Item                       | Symbol           | Value      |      | Unit |
|----------------------------|------------------|------------|------|------|
|                            |                  | LED1       | LED2 |      |
| DC Forward Current         | I <sub>F</sub>   | 30         | 30   | mA   |
| Pulse Forward Current*     | I <sub>FP</sub>  | 100        | 100  | mA   |
| Reverse Voltage            | V <sub>R</sub>   | 5          | 5    | V    |
| Power Dissipation          | P <sub>D</sub>   | 78         | 78   | mW   |
| Operating Temperature      | T <sub>opr</sub> | -30 ~ +85  |      |      |
| Storage Temperature        | T <sub>stg</sub> | -40 ~ +100 |      |      |
| Lead Soldering Temperature | T <sub>sol</sub> | 260 /5sec  |      | -    |

**■Directivity**



\*Pulse width Max.10ms Duty ratio max 1/10

**■Electrical -Optical Characteristics**

(Ta=25 )

| Item                | NO.  | Symbol            | Condition             | Min. | Typ. | Max. | Unit |
|---------------------|------|-------------------|-----------------------|------|------|------|------|
| DC Forward Voltage  | LED1 | V <sub>F1</sub>   | I <sub>F1</sub> =20mA | 1.8  | 2.1  | 2.6  | V    |
|                     | LED2 | V <sub>F2</sub>   | I <sub>F2</sub> =20mA | 1.8  | 2.1  | 2.6  | V    |
| Domi. Wavelength*   | LED1 | λ <sub>D1</sub>   | I <sub>F1</sub> =20mA | 585  | 590  | 595  | nm   |
|                     | LED2 | λ <sub>D2</sub>   | I <sub>F2</sub> =20mA | 585  | 590  | 595  | nm   |
| Luminous Intensity* | LED1 | I <sub>v1</sub>   | I <sub>F1</sub> =20mA | 1120 | 1560 | -    | mcd  |
|                     | LED2 | I <sub>v2</sub>   | I <sub>F2</sub> =20mA | 1120 | 1560 | -    | mcd  |
| 50% Power Angle     | LED1 | 2θ <sub>1/2</sub> | I <sub>F1</sub> =20mA | -    | 30   | -    | deg  |
|                     | LED2 | 2θ <sub>1/2</sub> | I <sub>F2</sub> =20mA | -    | 30   | -    | deg  |

\*Tolerance of dominant chromaticity is ±10%

\*2 Tolerance of luminous intensity is ±15%