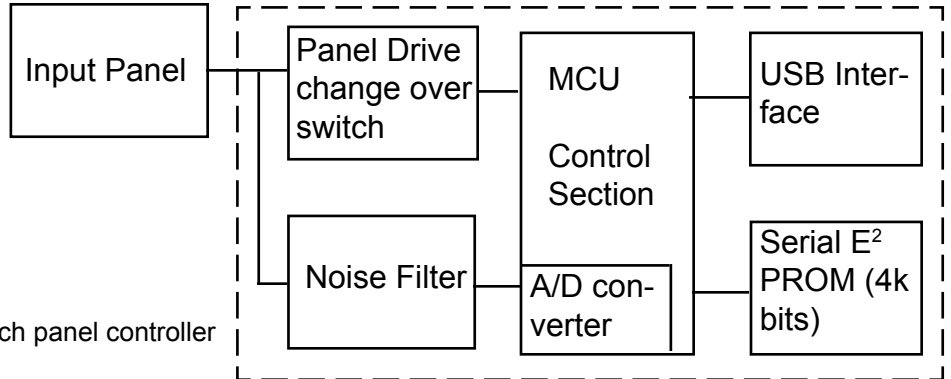


# STANDARD Micro Controller Specification

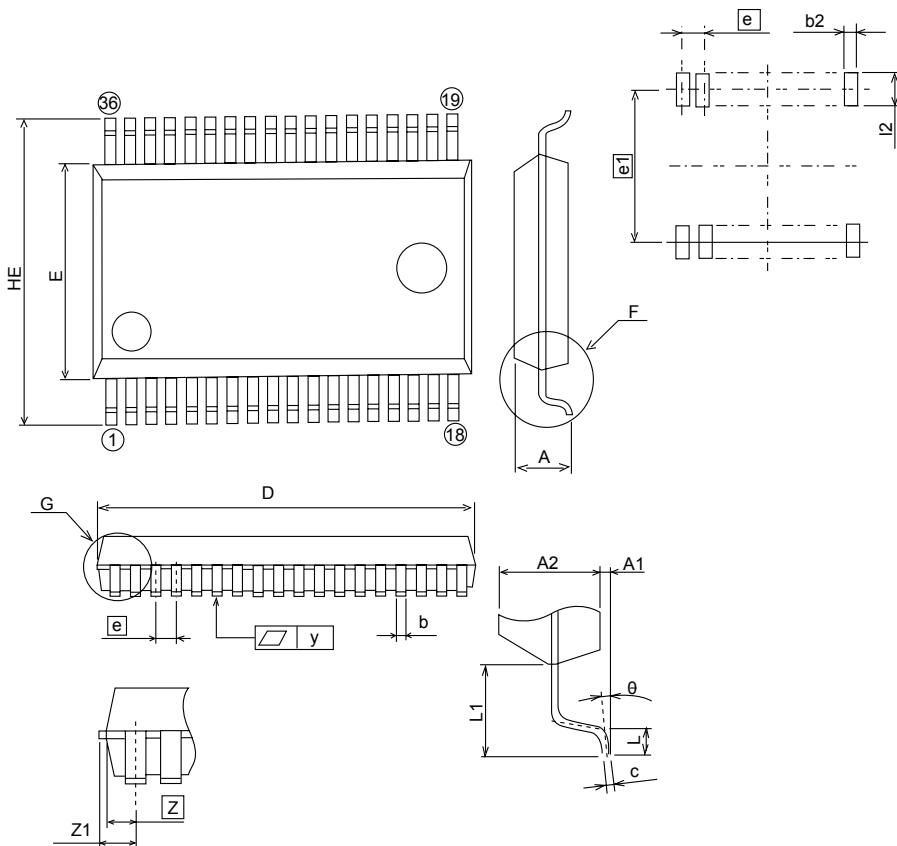
## NC41120-0017 USB Interface Controller Chip

### 7- Wire Summary Sheet



- High quality and reliability touch panel controller
- USB 1.1 Interface
- Used to control the 7-Wire resistive touch panels
- RoHS compliant

#### ■ CONSTRUCTION



Symbol	Dimension in Millimeters		
	Min.	Nom	Max
A	—	—	2.4
A1	0.05	—	—
A2	—	2.0	—
b	0.35	0.4	0.5
c	0.13	0.15	0.2
D	14.8	15.0	15.2
E	8.2	8.4	8.6
e	—	0.8	—
HE	11.62	11.93	12.23
L	0.3	0.5	0.7
L1	—	1.765	—
Z	—	0.7	—
Z1	—	—	0.8
y	—	—	0.15
$\theta$	0°	—	10°
b2	—	0.5	—
e1	—	11.43	—
L2	1.27	—	—

# USB Interface Controller Chip

## ■ INPUT / OUTPUT TERMINAL SUMMARY

No.	Name	I/O	Function
1	Wheel right	I	Right button
2	Wheel left	I	Left button
3	CNTR0	I	Connect to 4 pins
4	EMSR0/PMSR	I	Panel voltage measurement
5	EMSR1/EMSR0	I	Panel voltage measurement
6	EMSR2/EMSR1	I	Panel voltage measurement
7	EMSR2/EMSR2	I	Panel voltage measurement
8	JPHID/EMSR3	I	Select HID class/ panel voltage measurement
9	PID1	O	PID select terminal
10	PID2	O	PID select terminal
11	PID3	O	PID select terminal
12	Vref	-	A/D converter standard voltage input pin
13	Reset	I	Reset input pin
14	CNVss	-	Connect to Vss
15	Vcc	-	Digital power supply pin (5V)
16	Xin	I	Input pin for oscillation
17	Xout	O	Input pin for oscillation
18	Vss	-	Digital power supply pin (0V)
19	OS3	I	Pin for original point selection
20	OS2	I	Pin for original point selection
21	OS1	I	Pin for original point selection
22	WheelUP	I	Upper scroll button
23	WheelDOWN	I	Down scroll button
24	JPMODE	I	Select 4-wire or 7-wire
25	Module Disable	I	Disconnection operate simulation term
26	USBVref	O	USB standard voltage output pin
27	PSW3	O	Output pin for panel drive switch control
28	PSW4	O	Output pin for panel drive switch control
29	PSW1	O	Output pin for panel drive switch control
30	PSW2	O	Output pin for panel drive switch control
31	PSW0	O	Output pin for panel drive switch control
32	ButtonLeft	I	Left Button
33	ButtonRight	I	Right Button
34	ButtonMiddle	I	Center Button
35	USB D-	I/O	USB input/output terminal
36	USB D+	I/O	USB input/output terminal

# USB Interface Controller Chip

## ■ PART NUMBER OF COMPLETE CHIP SPECIFICATION

Complete specification document is available on request for customers with whom we have an approved NDA in place.

## Fujitsu Components International Headquarter Offices

### Japan

Fujitsu Component Limited  
Gotanda-Chuo Building  
3-5, Higashigotanda 2-chome, Shinagawa-ku  
Tokyo 141, Japan  
Tel: (81-3) 5449-7010  
Fax: (81-3) 5449-2626  
Email: [promothq@ft.ed.fujitsu.com](mailto:promothq@ft.ed.fujitsu.com)  
Web: [www.fcl.fujitsu.com](http://www.fcl.fujitsu.com)

### North and South America

Fujitsu Components America, Inc.  
250 E. Caribbean Drive  
Sunnyvale, CA 94089 U.S.A.  
Tel: (1-408) 745-4900  
Fax: (1-408) 745-4970  
Email: [components@us.fujitsu.com](mailto:components@us.fujitsu.com)  
Web: <http://www.fujitsu.com/us/services/edevices/components/>

### Europe

Fujitsu Components Europe B.V.  
Diamantlaan 25  
2132 WV Hoofddorp  
Netherlands  
Tel: (31-23) 5560910  
Fax: (31-23) 5560950  
Email: [info@fceu.fujitsu.com](mailto:info@fceu.fujitsu.com)  
Web: [emea.fujitsu.com/components/](http://emea.fujitsu.com/components/)

### Asia Pacific

Fujitsu Components Asia Ltd.  
102E Pasir Panjang Road  
#01-01 Citilink Warehouse Complex  
Singapore 118529  
Tel: (65) 6375-8560  
Fax: (65) 6273-3021  
Email: [fcalfcal.fujitsu.com](mailto:fcalfcal.fujitsu.com)  
Web: <http://www.fujitsu.com/sg/services/micro/components/>

©2006 Fujitsu Components America, Inc. All rights reserved. All trademarks or registered trademarks are the property of their respective owners.

Fujitsu Components America or its affiliates do not warrant that the content of datasheet is error free. In a continuing effort to improve our products Fujitsu Components America, Inc. or its affiliates reserve the right to change specifications/datasheets without prior notice.  
Rev. May 23/2006