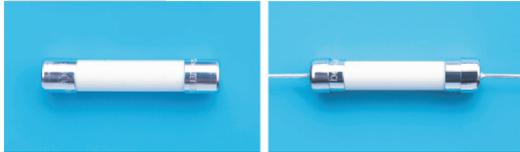


Type 3AB / 3ABP Fast Blow Fuse Series

1/4 x 1 1/4 inch Ceramic Tube
RoHS 6 Compliant

3ABD0808



Electrical Characteristics (ULICSA STD. 248-14)

Testing Current	Blow Time		Amp Range
	Minimum	Maximum	
100%	4 Hrs.	N/A	0.1A - 20A
135%	N/A	1 Hr	0.1A - 10A
200%	N/A	5 sec	0.1A - 10A
	N/A	120 sec	12A - 20A

Approvals



Safety Agency Approvals	Type	Amp range / Volt @ I.R. ability
<ul style="list-style-type: none"> UL US Listed File No. E20624 SP Certified File No. LR39772 	3AB / 3ABP	100mA - 1A / 250V AC@ 35A >1A - 3.5A / 250V AC@ 100A >3.5A - 10A / 250V AC@ 200A 100mA - 10A / 125V AC@ 10,000A
<ul style="list-style-type: none"> UL US Listed File No. E20624 		>10A - 15A / 250V AC@ 750A >15A - 20A / 250V AC@ 1,500A >10A - 20A / 125V AC@ 10,000A
<ul style="list-style-type: none"> PS E File No. JET1037-31003-1001, JET1037-31003-1003 File No. JET1037-31003-1002 	3AB / 3ABP	1A - 5A / 125V AC@ 500A
	3AB	>5A - 15A / 125V AC@ 300A

RoHS 6 Compliant Product

Operating Temperature

-55°C to +125°C

Physical Specification

Materials

Ceramic body / Nickel Plated Brass Caps

Lead wire:

Matte Tin Plated Copper, Diameter 0.040" for all ratings

Marking

On fuse:

"bel", "3AB", "Current Rating", "Voltage Rating",
"Appropriate Safety Logos", "✓" (RoHS 6 compliant)

On label:

"bel", "3AB" or "3ABP", "Current Rating", "Voltage Rating",
"Interrupting Rating", "Appropriate Safety Logos"
and "M", "e" (China RoHS compliant)

Voltage on fuse:

125V and 250V for 750mA - 20A rating,
250V for below 750mA rating

Packaging

1. In bulk:

3AB - 1,000 pcs per box; 3ABP - 500 pcs per box

2. On Axial Tape & Reel:

1,000 pcs per reel

3. Tape & Reel specification:

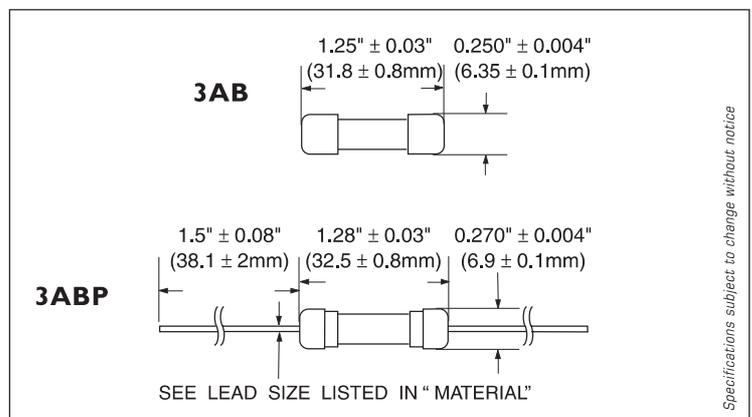
per EIA-296-E & IEC 286-1

@ 10mm Pitch and 73mm inside Tape Spacing

Catalog Number	Ampere Rating	Typical Cold Resistance (ohm)	Volt-drop @100% I _n (Volt) max.	Melting I ² T < 10 mSec (A ² Sec)	Melting I ² T @10 I _n (A ² Sec)	Maximum Power Dissipation (W)
3AB (P) 100-R	100mA	12.5	4.5	0.002	0.002	0.59
3AB (P) 125-R	125mA	12.0	4.5	0.004	0.003	0.74
3AB (P) 160-R	160mA	8.3	4.2	0.008	0.005	0.87
3AB (P) 200-R	200mA	5.7	3.9	0.014	0.010	1.02
3AB (P) 250-R	250mA	3.9	3.6	0.025	0.017	1.19
3AB (P) 300-R	300mA	2.7	3.4	0.044	0.032	1.40
3AB (P) 375-R	375mA	2.0	3.2	0.07	0.05	1.58
3AB (P) 500-R	500mA	0.75	1.1	0.14	0.10	1.92
3AB (P) 750-R	750mA	0.24	0.2	0.75	0.74	0.30
3AB (P) 1-R	1A	0.16	0.23	1.43	1.44	0.37
3AB (P) 1.25-R	1.25A	0.114	0.21	2.45	2.51	0.44
3AB (P) 1.6-R	1.6A	0.084	0.20	4.2	4.4	0.51
3AB (P) 2-R	2A	0.063	0.18	7.2	7.6	0.59
3AB (P) 2.5-R	2.5A	0.047	0.170	12	13	0.70
3AB (P) 3-R	3A	0.035	0.162	21	23	0.83
3AB (P) 3.5-R	3.5A	0.030	0.157	28	31	0.91
3AB (P) 4-R	4A	0.026	0.154	36	40	1.0
3AB (P) 5-R	5A	0.020	0.146	63	70	1.2
3AB (P) 6-R	6A	0.015	0.139	107	123	1.4
3AB (P) 7-R	7A	0.013	0.135	141	162	1.6
3AB (P) 8-R	8A	0.012	0.132	184	214	1.7
3AB (P) 10-R	10A	0.009	0.125	316	372	2.0
3AB (P) 12-R	12A	0.008	0.160	501	597	2.3
3AB (P) 15-R	15A	0.006	0.140	845	1023	2.7
3AB (P) 20-R	20A	0.004	0.120	1598	1968	3.0

Consult manufacturer for other ratings

Mechanical Dimensions



ORDERING INFORMATION SEE LAST 2 PAGES

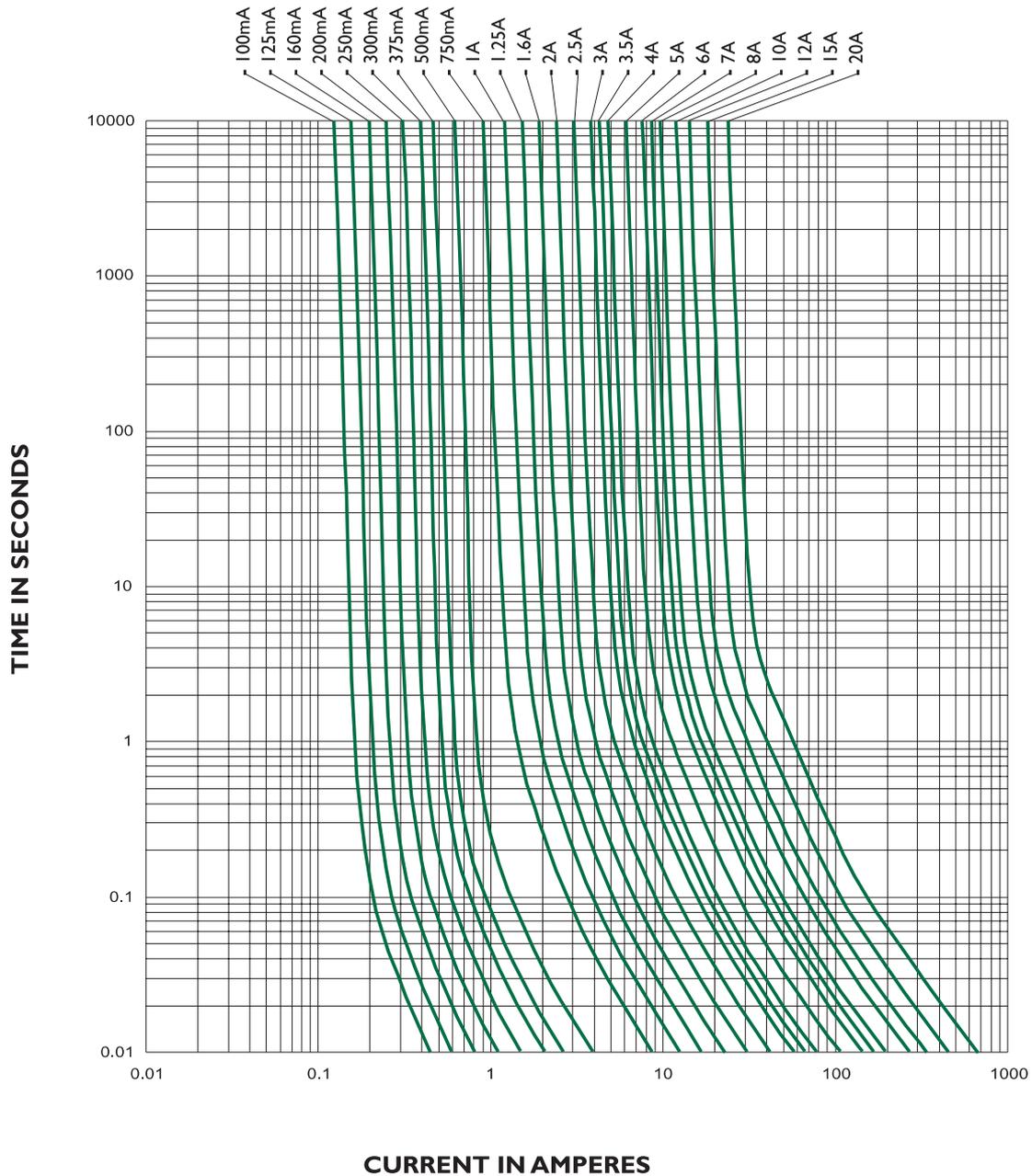
Type 3AB / 3ABP
Fast Blow Fuse Series

1/4 x 1 1/4 inch Ceramic Tube
 RoHS 6 Compliant



3ABC0808

3AB / 3ABP - TIME CURRENT CHARACTERISTIC CURVE



Specifications subject to change without notice

NOTE - see important information under "User Guide" on P.08

Corporate Office

Bel Fuse Inc.
 206 Van Vorst Street, Jersey City, NJ 07302
 Tel: 201-432-0463
 Fax: 201-432-9542
 E-Mail: belfuse@belfuse.com
 Website: www.belfuse.com

Far East Office

Bel Fuse Ltd.
 8F/8 Luk Hop Street
 San Po Kong
 Kowloon, Hong Kong
 Tel: 852-2328-5515
 Fax: 852-2352-3706

European Office

Bel Fuse Europe Ltd.
 Preston Technology Management Centre
 Marsh Lane, Preston PR1 8UG
 Lancashire, U.K
 Tel: 44-1772-556601
 Fax: 44-1772-888366