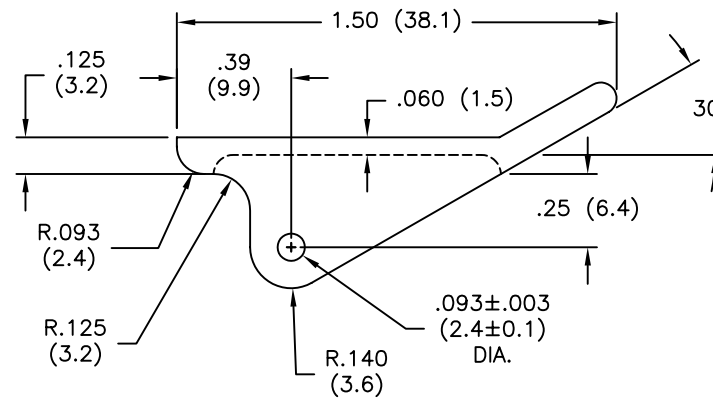
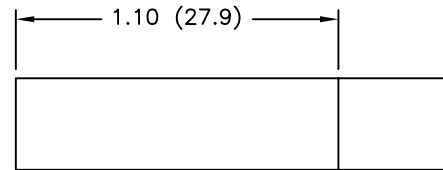
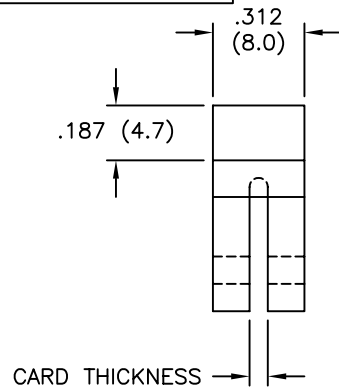
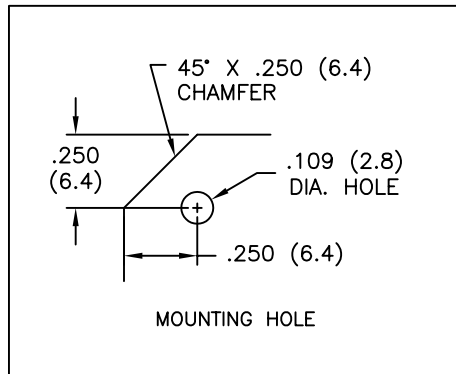


PART NO.	CARD THICKNESS
RCP-46	1/16 (1.6)
RCP-49	3/32 (2.4)
RCP-413	1/8 (3.2)



NOTES:

1. MATERIAL: NYLON 6/6 (RMS-48).
2. COLOR: WHITE.
3. INSTALLATION ROLL PIN NO. RRP-312, MATERIAL: PASSIVATED STAINLESS STEEL PER MIL-P-10971. COLOR: SILVER.
 3/32 (2.4) DIA. X 5/16 (7.9) LONG, FURNISHED WITH EJECTORS.

TITLE: CARD EJECTORS		DWG IN IN (MM)		FINAL	
TOLERANCES UNLESS NOTED .XX=±.010 .XXX=±.005 FRAC=±1/64 ANG=±1°		FILE # RCP	DWN: P.B.	APP:	
RE: RICHCO, INC.		MAT'L: SEE NOTES	DT: 04-07-94	DT:	PART #
REV		RICHCO INC. PO BOX 804238, CHICAGO, 60680 (773) 539-4060		SEE TABLE	
D ADDED MOUNTING HOLE DETAIL, ECN #659 SM 07.02.03				PRINT TYPE	
C ADDED NOTE 3 (ECN #472) SM 09.26.02				CA	
B CHANGED FILE NUMBER SM 05.15.01					
A MAT'L COLOR WHITE WAS NATURAL J.L. 3.17.99					
DESCRIPTION ENGR DATE					