



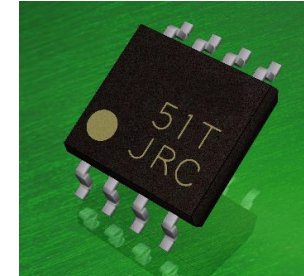
NJW4140

Switching Regulator IC for Boost Converter

■ FEATURES

- Operating Voltage Range 3V to 35V
- Drive Nch MOSFET
(Ciss=3,000pF, Gate voltage 5V max.)
- Oscillation Frequency 50kHz to 1MHz
- PWM Control
- External Synchronous Function
- Over Current Protection
- Built-in OSC Enable Function
- Package Outline DMP8, VSP8

■ PACKAGE OUTLINE

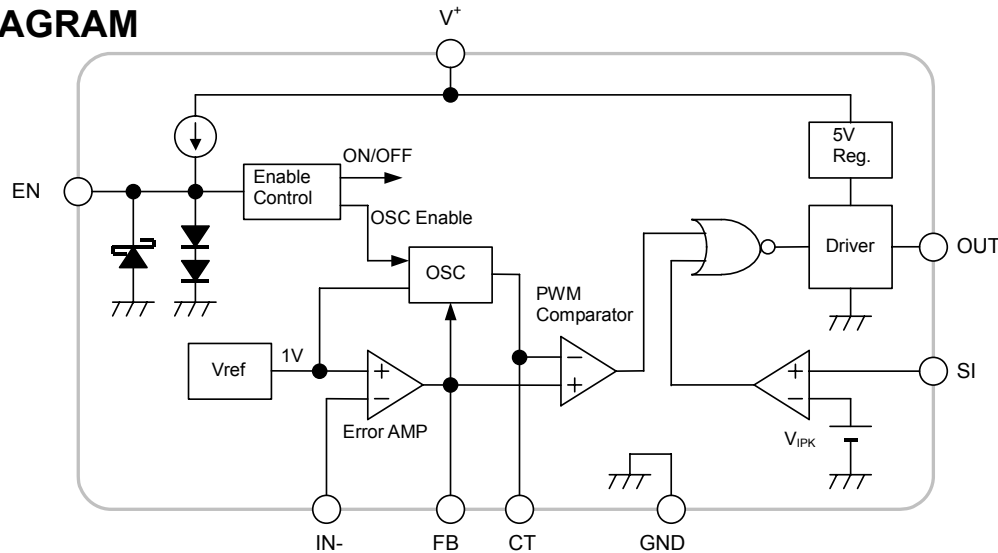


NJW4140M (DMP8)

NJW4140R (VSP8)

2.9x4.0x1.2mm

■ BLOCK DIAGRAM



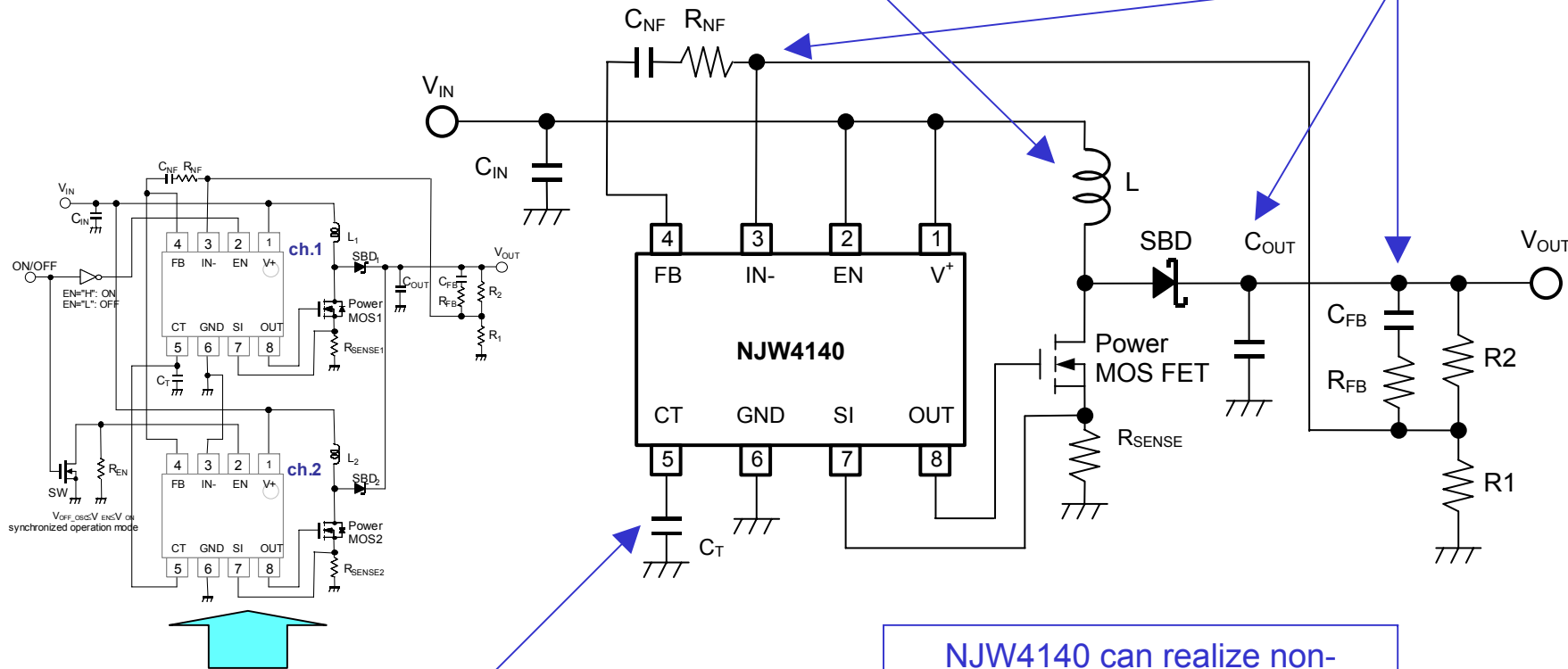
Please note that this device is still under the development and therefore the specifications are subject to change.



NJW4140 Typical Application

L miniaturization is possible by the acceleration of oscillation frequency

MLCC is corresponding



Multiple uses are possible by synchronous operation.

NJW4140 can realize non-isolated/isolated circuit

Please note that this device is still under the development and therefore the specifications are subject to change.