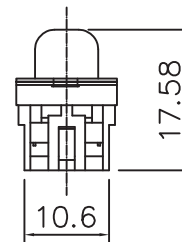
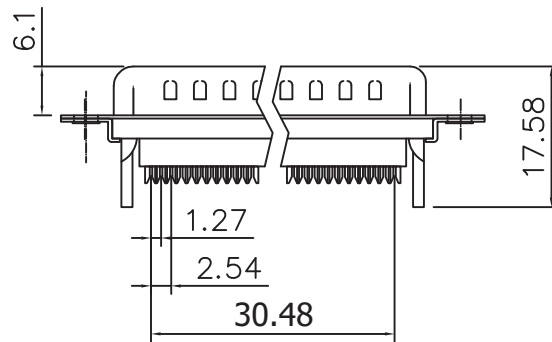
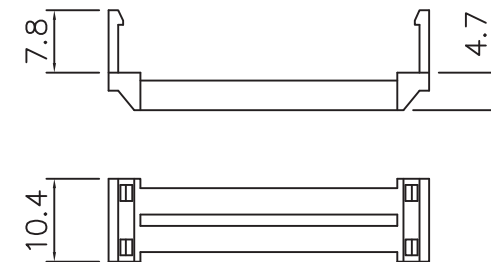


Cover



Without Insulator Support



Strain Relief

**Material:**

- Insulator: Glass-Filled Thermoplastic PBT, UL94V-0
- Contact: Copper alloy
- Shell: Steel, 100 $\mu$  Tin Over 50 $\mu$  min Copper

**Electrical:**

- Contact Resistance: 20M $\Omega$  Max. @1Amp DC
- Insulation Resistance: 1,000M $\Omega$  @500V DC
- Dielectric Withstanding Voltage: 1,000V AC/rms 60Hz for 1 Min.
- Current Rating: 3 Amp
- Voltage Rating: 250V AC/rms 60Hz

\*Important is that the min mating cycles D-sub must have are 1,000

Unit: MM $\pm$ 0.25MM



|          |   |
|----------|---|
| ITEM NO. | <b>A-DSF25LPXX-III-R</b>                                    |
| TITLE    | Flat Ribbon Cable D-Sub Assembly - 25Pin, Male, Low Profile |

**ASSMANN**  
Electronics, Inc.

1840 W. Drake Drive, Suite 101 • Tempe, AZ 85283  
Toll Free: 1-877-277-6266 • Email: info@usa-assmann.com

THIS DRAWING IS UNPUBLISHED  
©Copyright 2010 by Assmann Electronic Components  
All International Rights Reserved