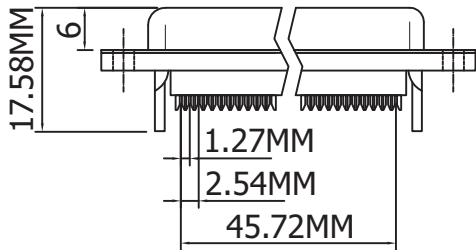
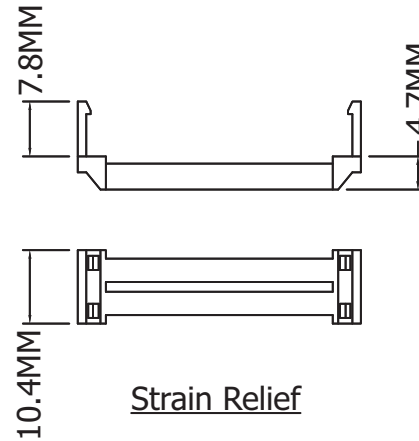
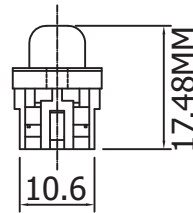


Cover



With Insulator Support



Strain Relief

**Material:**

- Insulator: Glass-Filled Thermoplastic PBT, UL94V-0
- Contact: Copper alloy
- Shell: SPCC
- Clinch Nut: Brass, Nickel Plated
- Screwlock: Brass, Nickel Plated

- Contact Resistance: 20MΩ Max @1 Amp DC
- Insulation Resistance: 1,000MΩ @500V DC
- Dielectric Withstanding Voltage: 1,000V AC/rms 60Hz for 1 minute
- Current Rating: 1 Amp
- Voltage Rating: 250V AC/rms 60Hz

QC Quality Control: Important Dimension to check  
Unit: MM±0.25MM

Ⓐ = Assmann logo



ITEM NO.

**A-DFF37LP111/FP-R**

TITLE

D-Sub Flat Ribbon Cable Assembly - 37 pin,  
Female

**ASSMANN**  
Electronics, Inc.

1840 W. Drake Drive, Suite 101 • Tempe, AZ 85283  
Toll Free: 1-877-277-6266 • Email: info@usa-assmann.com

THIS DRAWING IS UNPUBLISHED  
©Copyright 2010 by Assmann Electronic Components  
All International Rights Reserved