

**USB 2.0 - ESD & Overcurrent Protection**

**Solution Products**



MF-NSMF075-2



CG0603MLC-05LE

**Objective**

Universal Serial Bus (USB) 2.0 ports provide up to 480 Mbps data transfer rates and 5 V power at up to 500 mA. As a hot-pluggable interface, it typically requires protection against ESD and short circuits. This solution provides this protection.

**Solution**

- 1 Multifuse<sup>®</sup> PPTC: MF-NSMF075-2
- 3 ChipGuard<sup>®</sup> ESD Suppressors: CG0603MLC-05LE

**Compliance**

- USB 2.0
- UL60950
- IEC 61000-4-2 Level 4 (8 kV / 15 kV)

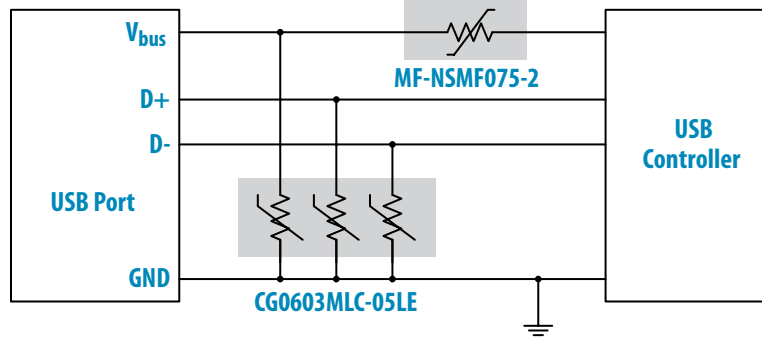
**Alternate Recommendations**

*Other PortNote<sup>®</sup> Solutions:*

- USB: USB 3.0 - ESD & Overcurrent Protection

**Benefit**

This solution provides USB 2.0 ports with compatible protection without impairing the transmission of power or data.



*The schematic above illustrates the application protection and does not constitute the complete circuit design. Customers should verify actual device performance in their specific applications.*

**Design Kit**



PN-DESIGNKIT-3