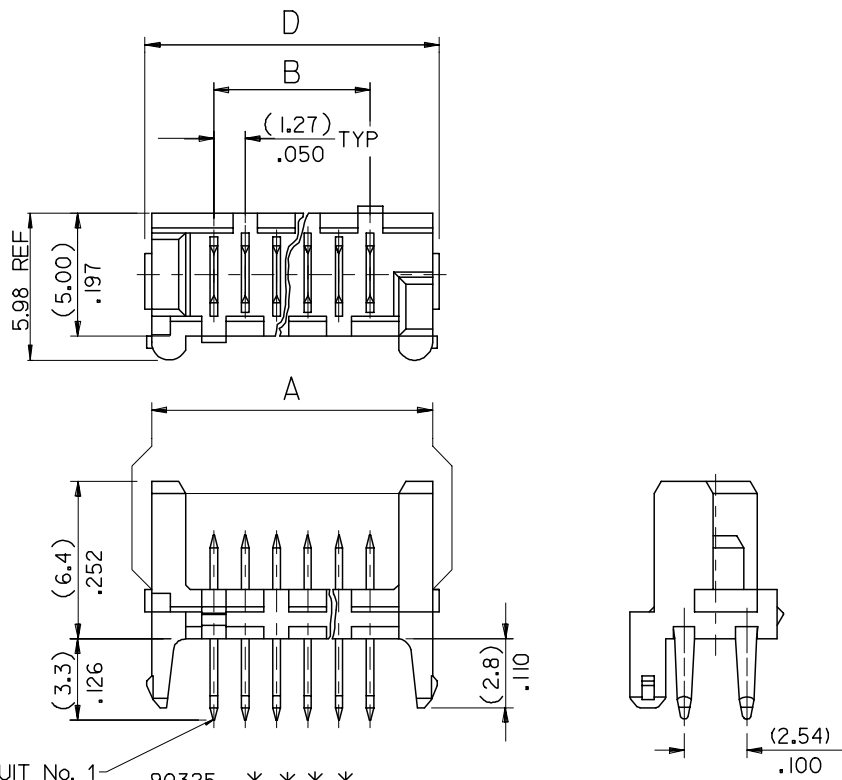


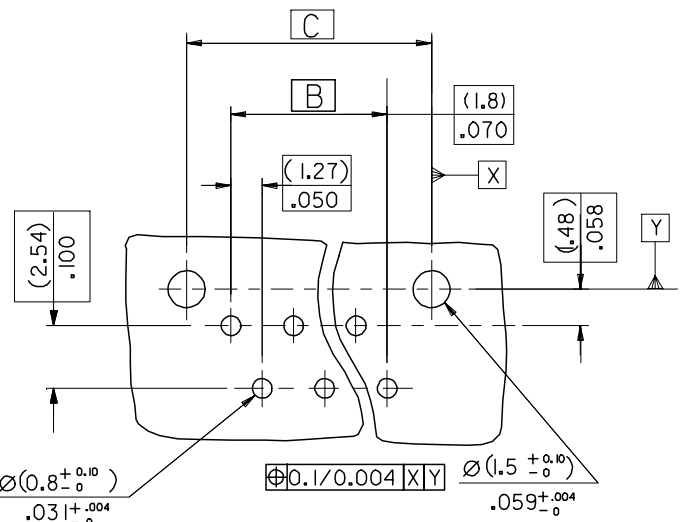
10 9 8 7 6 5 4 3 2 1



90325 - **26	26	(36.80)/1.449	(31.75)/1.250	(35.35)/1.392	(37.26)/1.467	14
↑ - **24	24	(34.26)/1.349	(29.21)/1.150	(32.81)/1.292	(34.72)/1.367	15
- **22	22	(31.72)/1.249	(26.67)/1.050	(30.27)/1.192	(32.18)/1.267	16
- **20	20	(29.18)/1.149	(24.13)/.950	(27.73)/1.092	(29.64)/1.167	18
- **18	18	(26.64)/1.049	(21.59)/.850	(25.19)/.992	(27.10)/1.067	19
- **16	16	(24.10)/.949	(19.05)/.750	(22.65)/.892	(24.56)/.967	22
- **14	14	(21.56)/.849	(16.51)/.650	(20.11)/.792	(22.02)/.867	24
- **12	12	(19.02)/.749	(13.97)/.550	(17.57)/.692	(19.48)/.767	27
- **10	10	(16.48)/.649	(11.43)/.450	(15.03)/.592	(16.94)/.667	32
- **08	8	(13.94)/.549	(8.89)/.350	(12.49)/.492	(14.40)/.567	36
↓ - **06	6	(11.40)/.449	(6.35)/.250	(9.95)/.392	(11.86)/.467	44
90325 - **04	4	(8.86)/.349	(3.81)/.150	(7.41)/.292	(9.32)/.367	57
PART NO.	NO. OF CKTS	DIM. A	DIM. B	DIM. C	DIM. D	NO. ASSYS IN TUBE

CIRCUIT No. 1 90325- \* \* \* \*  
 CIRCUIT SIZE 04 CKT TO 26 CKT  
 0 = HOUSING : COLOUR BLACK  
 9 = HOUSING : CUSTOMER SPECIFIC (COLOUR BLACK)  
 0= 3-5um TIN ASSY  
 3= 0.76um GOLD ASSY  
 5= NON STANDARD VOIDED OPTION SEE SHEET 2  
 6= ROUND PEG WITH KINKS OPTION SEE SHEET 3  
 7= 0.76um GOLD, TUBED  
 9= 3-5um TIN ASSY TUBED

PCB LAYOUT VIEWED FROM SOLDER SIDE. BOARD (1.60 ± 0.14) THK .063 ± 0.006 THK.



NOTES:  
 1. HOUSING MATL. POLYESTER PBT 15% GLASS FILLED TO UL94 V-0.  
 2. TER. MATL. BRASS (0.28)/.011 THK  
 PLATING. TIN: (1.27um)/50u" MIN NICKEL UNDER (3-5um)/120-200u" TIN  
 PLATING. GOLD: (1.27um)/50u" MIN. NICKEL UNDER (3-5um)/120-200u" TIN SELECTIVE AND (0.76um)/30u" SELECTIVE GOLD  
 3. CONFORMS TO PRODUCT SPECIFICATION PS-99020-0011

ADD CKT.1 INDICATOR	DESCRIPTION
EC NO: E2007-0083	
DRWN:DMASZKI/EMI/CZ 2006/09/11	
CHKD:J.DENNEHY 2006/09/11	
APPR:J.DENNEHY 2006/09/13	
AN	REV

QUALITY SYMBOLS
▽=0
▽=0

GENERAL TOLERANCES (UNLESS SPECIFIED)
mm INCH
4 PLACES ± --- ± ---
3 PLACES ± --- ± .008
2 PLACES ± 0.20 ± .008
1 PLACE ± 0.20 ± ---
ANGULAR ± 1/2°
DRAFT WHERE APPLICABLE MUST REMAIN WITHIN DIMENSIONS

DIMENSION STYLE	SCALE	DESIGN UNITS
MM/IN	5:1	METRIC
DRAWN BY	DATE	TITLE
DMCN	2001/05/29	HEADER ASSEMBLY
CHECKED BY	DATE	
ROCONNOR	2001/05/29	
APPROVED BY	DATE	
MWILHITE	2001/05/29	
MATERIAL NO.	DOCUMENT NO.	SHEET NO.
	SDA-90325	1 OF 3

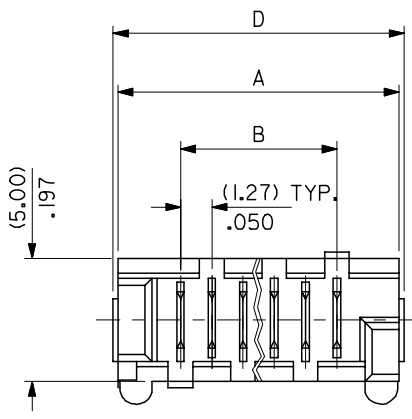
MOLEX INCORPORATED  
 THIS DRAWING CONTAINS INFORMATION THAT IS PROPRIETARY TO MOLEX INCORPORATED AND SHOULD NOT BE USED WITHOUT WRITTEN PERMISSION

9 8 7 6 5 4 3 2 1

10 9 8 7 6 5 4 3 2 1

F

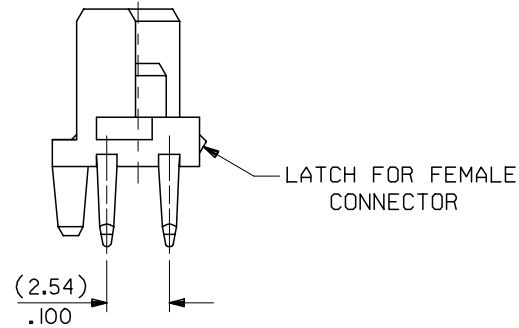
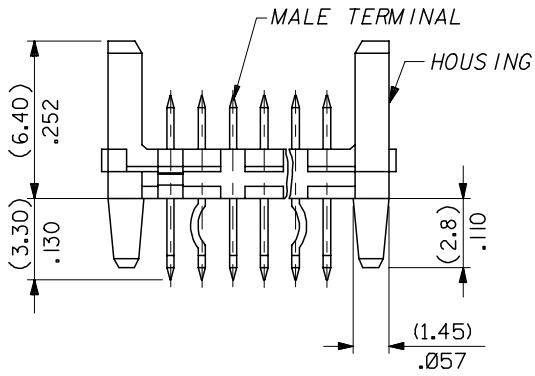
F



90325-6052	26	(36.80)/1.449	(31.75)/1.250	(35.35)/1.392	(37.26)/1.467	14
90325-6044	18	(26.64)/1.049	(21.59)/.850	(25.19)/.992	(27.10)/1.067	19
90325-6042	16	(24.10)/.949	(19.05)/.750	(22.65)/.892	(24.56)/.967	22
90325-6036	10	(16.48)/.649	(11.43)/.450	(15.03)/.590	(16.94)/.667	31
PART NO.	NO. OF CKTS	DIM. A	DIM. B	DIM. C	DIM. D	NO. ASSYS IN TUBE

E

E



D

D

C

C

B

B

NOTES:

SEE SHEET 1 FOR UNSPECIFIED NOTES AND DIMENSIONS

A

A

RENAMED SHEET 4 TO 3 EC NO: E2005-0514 DRWN:GMC/SWEEN 2005/06/21 CHKD:DMR/LARTY 2005/06/27 APPR: JDENNEHY 2005/07/04	QUALITY SYMBOLS	GENERAL TOLERANCES (UNLESS SPECIFIED)	DIMENSION STYLE	SCALE	DESIGN UNITS	THIRD ANGLE PROJECTION
	▽=0 ▽=0	mm    INCH 4 PLACES ± --- ± --- 3 PLACES ± --- ± .008 2 PLACES ± 0.20 ± .008 1 PLACE ± 0.20 ± --- ANGULAR ±1/2°	MM/IN	5:1	METRIC	
	DESCRIPTION	DRAWN BY	DATE	TITLE		
	REV	MRIORDAN	1999/04/26	PICOFLEX HEADER ASSEMBLY ROUND PEGS WITH KINKS		
AH	APPROVED BY	DATE	MOLEX INCORPORATED			
	MWILHITE	1999/04/28	MATERIAL NO.    DOCUMENT NO.    SHEET NO.			
			SEE CHART    SDA-90325    3 OF 3			
	DRAFT WHERE APPLICABLE MUST REMAIN WITHIN DIMENSIONS		THIS DRAWING CONTAINS INFORMATION THAT IS PROPRIETARY TO MOLEX INCORPORATED AND SHOULD NOT BE USED WITHOUT WRITTEN PERMISSION			

9 8 7 6 5 4 3 2 1