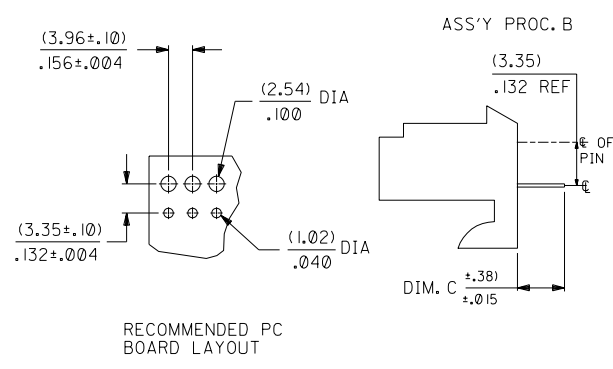


- NOTES:
1. TERMINALS MUST CONFORM TO SOLDERABILITY SPEC. ES-152.
 2. PARTS CONFORM TO PRODUCT SPEC 08-50.
 3. HOUSING MATERIAL: NYLON, UL LISTED
 4. "*" PRECEDING ENG. NO. IN CHARTS DESIGNATES STANDARD PRODUCT.
 5. TERMINAL TAIL CENTERLINES ARE TO BE WITHIN (.30)/.012 OF EACH OTHER.
 6. FOR KINKED PIN INFORMATION SEE SMES-42329-***.



A - 2145 - * * N * * * - * VOID LOCATION

ASS'Y. PROCEDURE

- A=RIGHT ANGLE
- B=BOTTOM ENTRY
- C=TOP ENTRY
- D=TOP ENTRY WITH KINKED TAIL
- E=BOTTOM ENTRY WITH HOOKS CUT OFF
- F=TOP ENTRY WITH HOOKS CUT OFF

PACKAGING CODE

BLANK=BULK PACK
A=TUBE PACK PER PK-40873-0026

PLATING

(102) 200 M.I. MIN TIN OVER 100 M.I. MIN COPPER
(587) SELECT GOLD 15 M.I. MIN
SELECT TIN-LEAD 75 M.I. MIN. OVER
50 M.I. MIN NICKEL

HOUSING NO.

- A=2145-N-AN
94V-2 NATURAL WITH RAMPES AND HOOKS
- B=2145-NBK-AN
94V-2 DYED BLACK WITH RAMPES AND HOOKS
- C=2145-A-AN
94V-0 NATURAL WITH RAMPES AND HOOKS
- G=2145-N-CN
94V-2 NATURAL WITH HOOKS ONLY
- H=2145-NGN-AN
94V-2 DYED GREEN WITH RAMPES AND HOOKS
- J=2145-NYW-AN
94V-2 DYED YELLOW WITH RAMPES AND HOOKS
- K=2145-NRD-AN
94V-2 DYED RED WITH RAMPES AND HOOKS
- L=2145-N-AN-5
94V-2 NATURAL W/ RAMPES AND HOOKS MOLDED IN VOIDS

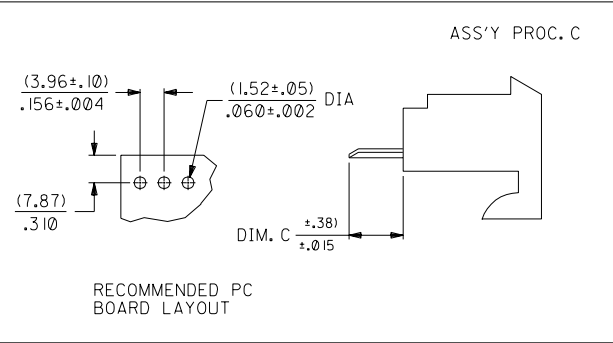
TERMINAL NO.

- A=2144-AA-AIAA(+)*B (BRASS)
- B=2144-BA-AIAA(+)*B (PHOS BRONZE)
- C=2144-AA-A2AA(+)*B (BRASS)
- D=2144-BA-A2AA(+)*B (PHOS BRONZE)
- E=6298-A(+)* (PHOS BRONZE) LOW FORCE
- H=2188-(+)* (BRASS)
- J=2188-(+)* (BRASS)
- K=4244-(+)* (BRASS)
- L=6298-(+)* (PHOS BRONZE)
- M=2144-BA-BIAA(+)*B (PHOS BRONZE) LOW FORCE
- N=4244-A(+)* (PHOS BRONZE)

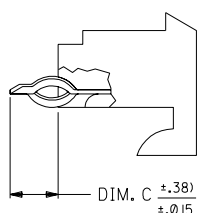
NO. OF CKTS.

NO. OF CKTS.	DIM. A	DIM. B	KINK PIN LOCATION (ASSY. PROC. D ONLY)
2	(3.96 ± .13) .156 ± .005	(7.82) .308	N/A
3	(7.92 ± .13) .312 ± .005	(11.79) .464	N/A
4	(11.89 ± .13) .468 ± .005	(15.75) .620	1, 2 3, 4
5	(15.85 ± .13) .624 ± .005	(19.71) .776	2, 3 4, 5
6	(19.81 ± .13) .780 ± .005	(23.67) .932	2, 3 4, 5
7	(23.77 ± .25) .936 ± .010	(27.64) 1.088	2, 3 5, 6
8	(27.74 ± .25) 1.092 ± .010	(31.60) 1.244	2, 3 6, 7
9	(31.70 ± .25) 1.248 ± .010	(35.56) 1.400	2, 3 7, 8
10	(35.66 ± .25) 1.404 ± .010	(39.52) 1.556	2, 3 8, 9
11	(39.62 ± .25) 1.560 ± .010	(43.48) 1.712	2, 3 9, 10
12	(43.59 ± .25) 1.716 ± .010	(47.45) 1.868	2, 3 10, 11
13	(47.55 ± .25) 1.872 ± .010	(51.41) 2.024	2, 3 11, 12
14	(51.51 ± .36) 2.028 ± .014	(55.37) 2.180	2, 3 12, 13
15	(55.47 ± .36) 2.184 ± .014	(59.33) 2.336	2, 3 13, 14
16	(59.44 ± .36) 2.340 ± .014	(63.30) 2.492	2, 3 14, 15

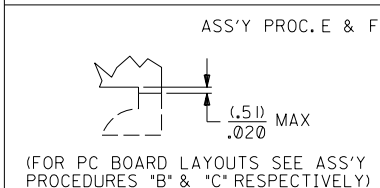
20	U
19	T
18	U7
17	M
16	T6
15	T
14	T2
13	U6
12	U5
11	R3
10	U
9	T
8	T
7	U3
6	U
5	U
4	U
3	U
2	U
1	U7



ASS'Y. PROC. D
SEE NOTE 6



FOR PC BOARD LAYOUT
SEE ASS'Y PROCEDURE "C"



(FOR PC BOARD LAYOUTS SEE ASS'Y PROCEDURES "B" & "C" RESPECTIVELY)

LT.	REVISIONS	LT.	REVISIONS
	U7		REL AANN102 UCP2003-0130 7/22/2002 SAMIEC
	U6		REL FANA503 UCR2001-0247 9-18-00 SAMIEC

DIMENSIONS SHOWN (METRIC) INCH
UNLESS OTHERWISE SPECIFIED
TOLERANCES: ANGULAR ± 1/2°

INCH	METRIC
3 PLACE ± .010	---
2 PLACE ± .014	± 0.25
1 PLACE ---	± 0.36

DRAFT WHERE APPLICABLE MUST REMAIN WITHIN DIMENSIONS

DRWG. PEREZ-ARGUETA BY: PATEL
APP'D. LENZ SCALE: :

FILE NAME: S2145X1
THIS DRAWING CONTAINS INFORMATION THAT IS PROPRIETARY TO MOLEX INC. AND SHOULD NOT BE USED WITHOUT WRITTEN PERMISSION.

TITLE: HOUSING ASS'Y, P.C. TAIL (3.96)/.156 C
2145 SERIES DRAWING
SEE CHART SDA-2145

PART NO. MOLEX INCORPORATED U.S.A. SHEET NO. 1 OF 20 DATE 7/9/87

DRWG. NO. DIV. C SIZE C

A-2145-CANA(122)-*			A-2145-CANB(565)-*			A-2145-CANC(P913)-*			A-2145-FGNA(587)-*		
PART NO.	ENG. NO(SUFFIX ONLY)	VOID CKT.	PART NO.	ENG. NO(SUFFIX ONLY)	VOID CKT.	PART NO.	ENG. NO(SUFFIX ONLY)	VOID CKT.	PART NO.	ENG. NO(SUFFIX ONLY)	VOID CKT.
	-CA2A(122)			-CA2B(565)		09-52-1029	-CA2C(P913)			-FG2A(587)	
	-CA3A(122)			-CA3B(565)		09-52-1039	-CA3C(P913)			-FG3A(587)	
09-86-3043	-CA4A(122)			-CA4B(565)		09-52-1049	-CA4C(P913)			-FG4A(587)	
	-CA5A(122)			-CA5B(565)		09-52-1059	-CA5C(P913)			-FG5A(587)	
	-CA6A(122)		09-62-3066	-CA6B(565)		09-52-1069	-CA6C(P913)			-FG6A(587)	
	-CA7A(122)			-CA7B(565)		09-52-1079	-CA7C(P913)			-FG7A(587)	
09-86-3083	-CA8A(122)			-CA8B(565)		09-52-1089	-CA8C(P913)			-FG8A(587)	
	-CA9A(122)		09-62-3096	-CA9B(565)		09-52-1099	-CA9C(P913)		09-62-4094	-FG9A(587)	
09-86-3103	-CA10A(122)		09-62-3106	-CA10B(565)		09-52-1109	-CA10C(P913)			-FG10A(587)	
	-CA11A(122)			-CA11B(565)		09-52-1119	-CA11C(P913)			-FG11A(587)	
09-86-3123	-CA12A(122)			-CA12B(565)		09-52-1129	-CA12C(P913)			-FG12A(587)	
	-CA13A(122)			-CA13B(565)		09-52-1139	-CA13C(P913)			-FG13A(587)	
	-CA14A(122)			-CA14B(565)		09-52-1149	-CA14C(P913)			-FG14A(587)	
	-CA15A(122)			-CA15B(565)		09-52-1159	-CA15C(P913)		09-62-4154	-FG15A(587)	
	-CA16A(122)			-CA16B(565)			-CA16C(P913)			-FG16A(587)	

COLUMN NO. 1	CON'T. IN COLUMN NO.	SHEET NO.	COLUMN NO. 2	CON'T. IN COLUMN NO.	SHEET NO.	COLUMN NO. 3	CON'T. IN COLUMN NO.	SHEET NO.	COLUMN NO. 4	CON'T. IN COLUMN NO.	SHEET NO.
						SEE SHEET I		SEE SHEET I			
						SEE SHEET I		SEE SHEET I			
						SEE SHEET I		SEE SHEET I			
						SEE SHEET I	R3	SEE SHEET I			
						SEE SHEET I	M	SEE SHEET I			
						SEE SHEET I	D8	SEE SHEET I			
						SEE SHEET I	A	SEE SHEET I			
LTR.	REVISIONS		LTR.	REVISIONS							

DIMENSIONS SHOWN (METRIC) INCH
UNLESS OTHERWISE SPECIFIED
TOLERANCES ANGULAR ± 1/2°

3 PLACE	±		INCH	METRIC
2 PLACE	±			
1 PLACE	±			

DRAFT WHERE APPLICABLE MUST REMAIN WITHIN DIMENSIONS

DRWG. PEREZ - DW'D. PATEL
BY ARGUETA
APP'D. LENZ SCALE :

▽ = 0 ▼ = 0 **REVISE ONLY ON CAD SYSTEM**

TITLE
HOUSING ASS'Y, P.C. TAIL
(3,96)/.156 C
2145 SERIES DRAWING

MOLEX INCORPORATED SHEET NO. 11 DATE 7/9/87
LITTLEFALL, N.J. 07643 U.S.A.

PART NO. **SEE CHART** DRWG. NO. **SDA-2145**

FILE NAME: S2145X11 THIS DRAWING CONTAINS INFORMATION THAT IS PROPRIETARY TO MOLEX INC. AND SHOULD NOT BE USED WITHOUT WRITTEN PERMISSION. KK IC

2145