

TOSHIBA CMOS Integrated Circuit Silicon Monolithic

TCA62746AFG, TCA62746AFNG

16-Output Constant Current LED Driver with Output Open/Short Detection

The TCA62746 series are LED drivers with sink type constant current circuit output, making them ideal for controlling LED modules and displays.

The current value of the 16-output is configurable using one external resistor.

In addition, these drivers are equipped with a function for detecting the output voltage when the output load LEDs open or short, and which then outputs the result as serial data.

These drivers consist of a 16-constant current output block, a 16-bit shift register, a 16-bit latch and a 16-bit AND-gate.

The TCA62746 series complies with RoHS regulation.

Features

- 16-output built-in
- Output open detection (OOD) function
: When in detection mode, outputs the detection results via SOUT.
- Output short detection (OSD) function
: When in detection mode, outputs the detection results via SOUT.
- Output current setting range
: 2 to 50 mA × 16-constant current output
- Current accuracy (@ $R_{EXT} = 1.56 \text{ k}\Omega$, $V_O = 1.0 \text{ V}$, $V_{DD} = 5.0 \text{ V}$)
: Between outputs: $\pm 1\%$ (typ.)
Between devices: $\pm 3\%$ (max) @ $I_O = 15 \text{ mA}$
- Control data format: serial-in, parallel-out
- I/O logic: TTL level (Schmitt trigger input)
- Data transfer frequency: $f_{MAX} = 25 \text{ MHz}$ (max)
- Power supply voltage: $V_{DD} = 4.5$ to 5.5 V
- Operation temperature range: $T_{opr} = -40$ to 85°C
- Constant current output voltage: $V_O = 17 \text{ V}$ (max)
- Output delay circuit built-in: Internal data reset circuit for power-on resetting (POR)
- Backward compatible to TB62706B and TB62726A series drivers
- Package: FG type: SSOP24-P-300-1.00B
FNG type: SSOP24-P-300-0.65A

Caution

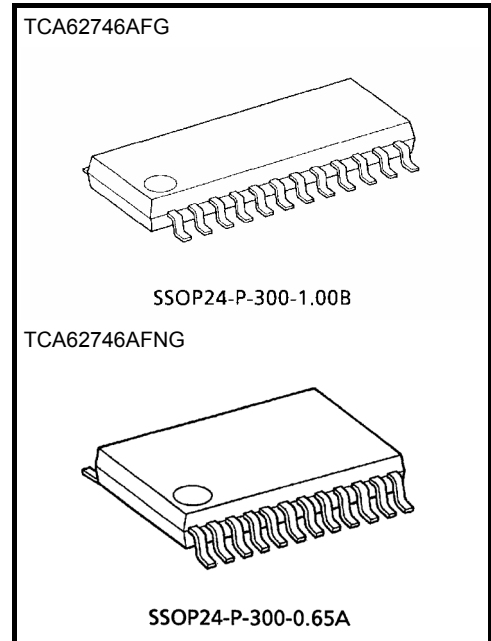
This device is sensitive to electrostatic discharge. Please handle with care.

The terminals which are marginal to electro static discharge are shown in the following table.

(Please refer to page 22 for details.)

ESD test MM Model Marginal terminals (MM Model Internal Standard $\pm 200\text{V}$)
5,6,7,8,9,10,11,12,13,14,15,16,19,20

* ESD test HBM Model Internal Standard ($\pm 2000\text{V}$) is OK



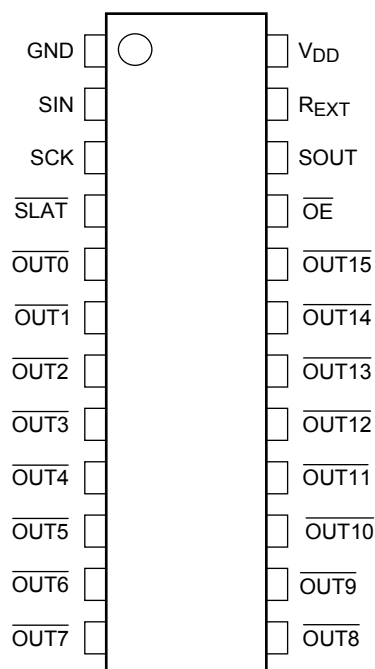
Weight

SSOP24-P-300-1.00B : 0.32 g (typ.)

SSOP24-P-300-0.65A : 0.14 g (typ.)

Pin Assignment (top view)

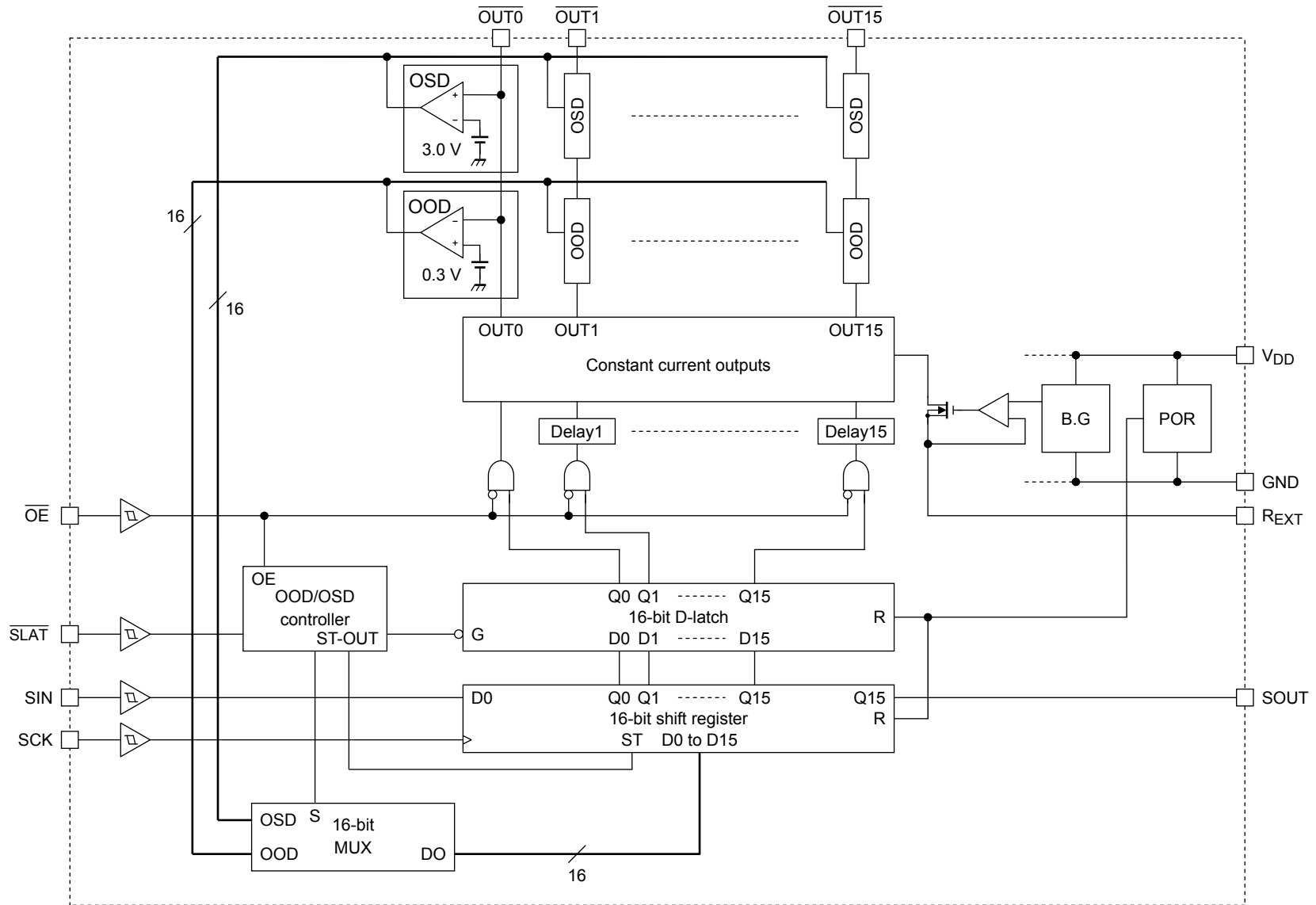
As shown below, this series has the same pin assignments as the TB62706B and TB62726A series:



Note1: Short circuiting an output pin to a power supply pin (V_{DD} or V_{LED}^*), or short-circuiting the R_{EXT} pin to the GND pin will likely exceed the rating, which in turn may result in smoldering and/or permanent damage. Please keep this in mind when determining the wiring layout for the power supply and GND pins.

* V_{LED} : LED power supply

Block Diagram



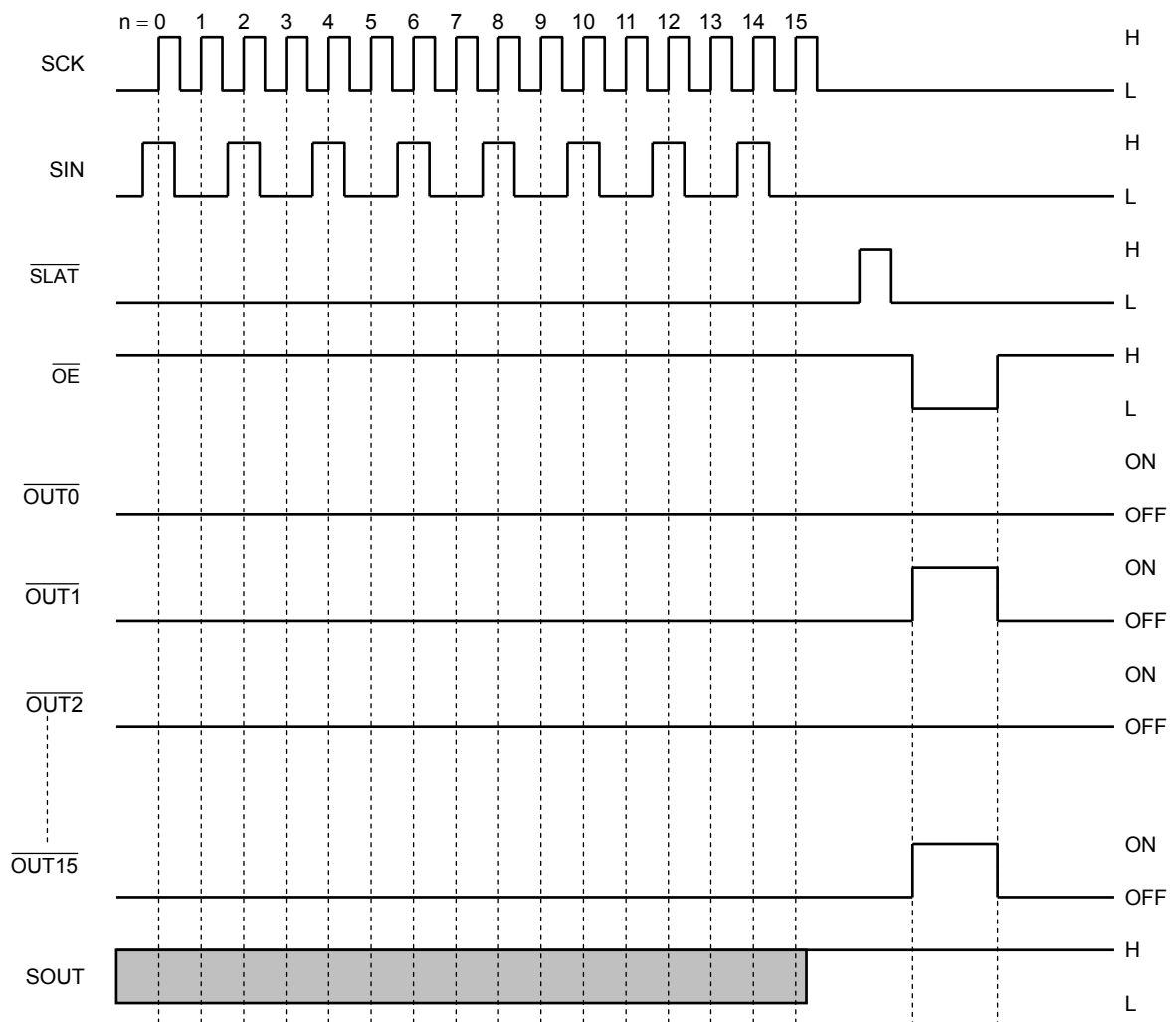
Truth Table

SCK	$\overline{\text{SLAT}}$	$\overline{\text{OE}}$	SIN	$\overline{\text{OUT0}} \dots \overline{\text{OUT7}} \dots \overline{\text{OUT15}} \text{ *1}$	SOUT
	H	L	Dn	Dn ... Dn - 7 ... Dn - 15	Dn - 15
	L	L	Dn + 1	No Change	Dn - 14
	H	L	Dn + 2	Dn + 2 ... Dn - 5 ... Dn - 13	Dn - 13
	- *2	L	Dn + 3	Dn + 2 ... Dn - 5 ... Dn - 13	Dn - 13
	- *2	H	Dn + 3	OFF	Dn - 13

Note1: When $\overline{\text{OUT0}}$ to $\overline{\text{OUT15}}$ output pins are set to "H" the respective output will be ON and when set to "L" the respective output will be OFF.

Note2: "-" is irrelevant to the truth table.

Timing Chart



Note 1: The latch circuit is a leveled-latch circuit. Please exercise precaution as it is not triggered-latch circuit.

Note 2: Keep the $\overline{\text{SLAT}}$ pin is set to "L" to enable the latch circuit to hold data. In addition, when the $\overline{\text{SLAT}}$ pin is set to "H" the latch circuit does not hold data. The data will instead pass onto output.

When the $\overline{\text{OE}}$ pin is set to "L" the $\overline{\text{OUT0}}$ to $\overline{\text{OUT15}}$ output pins will go ON and OFF in response to the data. In addition, when the $\overline{\text{OE}}$ pin is set to "H" all the output pins will be forced OFF regardless of the data.

Pin Functions

Pin No	Pin Name	I/O	Function
1	GND	—	The ground pin.
2	SIN	I	The serial data input pin.
3	SCK	I	The serial data transfer clock input pin. Also used for OOD/OSD mode settings.
4	$\overline{\text{SLAT}}$	I	The latch signal input pin. Data is saved at L level. Also used for OOD/OSD mode settings.
5	$\overline{\text{OUT0}}$	O	A sink type constant current output pin.
6	$\overline{\text{OUT1}}$	O	A sink type constant current output pin.
7	$\overline{\text{OUT2}}$	O	A sink type constant current output pin.
8	$\overline{\text{OUT3}}$	O	A sink type constant current output pin.
9	$\overline{\text{OUT4}}$	O	A sink type constant current output pin.
10	$\overline{\text{OUT5}}$	O	A sink type constant current output pin.
11	$\overline{\text{OUT6}}$	O	A sink type constant current output pin.
12	$\overline{\text{OUT7}}$	O	A sink type constant current output pin.
13	$\overline{\text{OUT8}}$	O	A sink type constant current output pin.
14	$\overline{\text{OUT9}}$	O	A sink type constant current output pin.
15	$\overline{\text{OUT10}}$	O	A sink type constant current output pin.
16	$\overline{\text{OUT11}}$	O	A sink type constant current output pin.
17	$\overline{\text{OUT12}}$	O	A sink type constant current output pin.
18	$\overline{\text{OUT13}}$	O	A sink type constant current output pin.
19	$\overline{\text{OUT14}}$	O	A sink type constant current output pin.
20	$\overline{\text{OUT15}}$	O	A sink type constant current output pin.
21	$\overline{\text{OE}}$	I	The constant current output enable signal input pin. During the "H" level, the output will be forced off. Also used for OOD/OSD mode settings.
22	SOUT	O	The serial data output pin. This pin outputs the OD/OSD detection result data.
23	R _{EXT}	—	The constant current value setting resistor connection pin.
24	V _{DD}	—	The power supply input pin.

Absolute Maximum Ratings (T_a = 25°C)

Characteristics	Symbol	Rating *1	Unit
Power supply voltage	V _{DD}	-0.4 to 6.0	V
Output current	I _O	55	mA
Logic input voltage	V _{IN}	-0.3 to V _{DD} + 0.3 *2	V
Output voltage	V _O	-0.3 to 17	V
Operating temperature	T _{opr}	-40 to 85	°C
Storage temperature	T _{stg}	-55 to 150	°C
Thermal resistance	R _{th(j-a)}	94(AFG type When mounted PCB)/120(AFNG type When mounted PCB) *3	°C/W
Power dissipation	P _D	1.32(AFG type When mounted PCB)/1.04(AFNG type When mounted PCB) *3,4	W

Note1: Voltage is ground referenced.

Note2: However, do not exceed 6V.

Note3: PCB condition 76.2 x 114.3 x 1.6 mm, Cu 30% (SEMI conforming)

Note4: The power dissipation decreases the reciprocal of the saturated thermal resistance (1/R_{th(j-a)}) for each degree (1°C) that the ambient temperature is exceeded (T_a = 25°C).

Recommended Operating Conditions

DC Items (Unless otherwise specified, T_a = -40°C to 85°C)

Characteristics	Symbol	Test Conditions	Min	Typ.	Max	Unit
Power supply voltage	V _{DD}	—	4.5	—	5.5	V
Output voltage when OFF	V _{O(OFF)}	$\overline{\text{OUTn}}$	—	—	16	V
Output voltage when ON	V _{O(ON)}	$\overline{\text{OUTn}}$	0.7	—	4	V
High level logic input voltage	V _{IH}	—	2.0	—	V _{DD}	V
Low level logic input voltage	V _{IL}	—	GND	—	0.8	V
High level SOUT output current	I _{OH}	V _{DD} = 5 V	—	—	-1	mA
Low level SOUT output current	I _{OL}	V _{DD} = 5 V	—	—	1	mA
Constant current output	I _O	$\overline{\text{OUTn}}$	2	—	50	mA

AC Items (Unless otherwise specified, V_{DD} = 4.5 to 5.5 V, T_a = -40°C to 85°C)

Characteristics	Symbol	Test Circuits	Test Conditions	Min	Typ.	Max	Unit
Serial data transfer frequency	f _{SCK}	7	—	—	—	25	MHz
Clock pulse width	t _{wSCK}	7	SCK = "H" or "L"	20	—	—	ns
Latch pulse width	t _{wSLAT}	7	$\overline{\text{SLAT}}$ = "H"	20	—	—	ns
Enable pulse width	t _{wOE1}	7	$\overline{\text{OE}}$ = "H" or "L", R _{EXT} = 500 Ω	100	—	—	ns
	t _{wOE2}	—	When error is detected *1	2	—	—	μs
Hold time	t _{HOLD1}	7	—	5	—	—	ns
	t _{HOLD2}	7	—	5	—	—	ns
	t _{HOLD3}	7	—	10	—	—	ns
	t _{HOLD4}	7	—	10	—	—	ns
Setup time	t _{SETUP1}	7	—	5	—	—	ns
	t _{SETUP2}	7	—	5	—	—	ns
	t _{SETUP3}	7	—	10	—	—	ns
	t _{SETUP4}	7	—	10	—	—	ns
Maximum clock rise time	t _r	7	*2	—	—	500	ns
Maximum clock fall time	t _f	7	*2	—	—	500	ns

Note1: Please refer to page 16 for details of the error detection.

Note2: If the device is connected in a cascade and the tr/tf of the clock waveform increases due to deceleration of the clock waveform, it may not be possible to achieve the timing required for data transfer. Please keep these timing conditions in mind when designing your application.

Electrical Characteristics (Unless otherwise specified, $V_{DD} = 4.5$ to 5.5 V and $T_a = 25^\circ\text{C}$)

Characteristics	Symbol	Test Circuits	Test Conditions	Min	Typ.	Max	Unit
High level logic output voltage	V_{OH}	1	$I_{OH} = -1$ mA, SOUT	$V_{DD} - 0.4$	—	—	V
Low level logic output voltage	V_{OL}	1	$I_{OH} = +1$ mA, SOUT	—	—	0.4	V
High level logic input current	I_{IH}	2	$V_{IN} = V_{DD}$, \overline{OE} , SIN, SCK	—	—	1	μA
Low level logic input current	I_{IL}	3	$V_{IN} = \text{GND}$, \overline{SLAT} , SIN, SCK	—	—	-1	μA
Power supply current	I_{DD1}	4	$V_O = 16$ V, No R_{EXT} SCK = "L", $\overline{OE} = \text{"H"}$	—	0.1	0.5	mA
	I_{DD2}	4	$R_{EXT} = 1.56$ k Ω , All output OFF	—	—	7.0	mA
	I_{DD3}	4	$R_{EXT} = 500$ Ω , All output OFF	—	—	14.0	mA
	I_{DD4}	4	$R_{EXT} = 1.2$ k Ω , All output ON	—	—	7.0	mA
	I_{DD5}	4	$R_{EXT} = 500$ Ω , All output ON	—	—	14.0	mA
Constant current output	I_{O1}^{*1}	5	$V_{DD} = 5.0$ V, $V_O = 1.0$ V, $R_{EXT} = 1.56$ k Ω	14.1	15	15.9	mA
	I_{O2}	5	$V_{DD} = 5.0$ V, $V_O = 1.0$ V, $R_{EXT} = 500$ Ω	44.2	47	49.8	mA
Output OFF leak current	I_{OK}	5	$V_O = 16$ V, $R_{EXT} = 1.56$ k Ω , All output OFF	—	—	0.5	μA
Constant current error	ΔI_O	5	$V_{DD} = 5.0$ V, $V_O = 1.0$ V, $R_{EXT} = 1.56$ k Ω , $\overline{OUT0}$ to $\overline{OUT15}$	—	± 1	± 3	%
Constant current power supply voltage regulation	$\%V_{DD}$	5	$V_{DD} = 4.5$ to 5.5 V, $V_O = 1.0$ V, $R_{EXT} = 1.56$ k Ω , $\overline{OUT0}$ to $\overline{OUT15}$	—	± 1	± 4	$\%/V$
Constant current output voltage regulation	$\%V_O$	5	$V_{DD} = 5.0$ V, $V_O = 1.0$ to 3.0 V, $R_{EXT} = 1.56$ k Ω , $\overline{OUT0}$ to $\overline{OUT15}$	—	± 1	± 4	$\%/V$
Pull-up resistor	R_{UP}	3	\overline{OE}	250	500	800	k Ω
Pull-down resistor	R_{DOWN}	2	\overline{SLAT}	250	500	800	k Ω

Note1: TCA62746AFG is guaranteed by this specification manufactured after the week 47 of 2007 (Weekly code 747).

TCA62746AFNG is guaranteed by this specification.

Electrical Characteristics during OOD/OSD Mode (Unless otherwise specified, $V_{DD} = 4.5$ to 5.5 V and $T_a = 25^\circ\text{C}$)

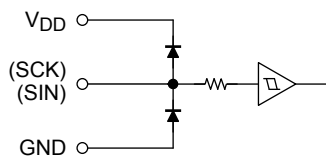
Characteristics	Symbol	Test Circuits	Test Conditions	Min	Typ.	Max	Unit
OOD voltage	V_{OOD}	6	$R_{EXT} = 464$ Ω to 11.5 k Ω	—	0.30	0.40	V
OSD voltage	V_{OSD}	6	$R_{EXT} = 464$ Ω to 11.5 k Ω	2.85	3.0	—	V

Switching Characteristics (Unless otherwise specified, $T_a = 25^\circ\text{C}$ and $V_{DD} = 5.0\text{ V}$)

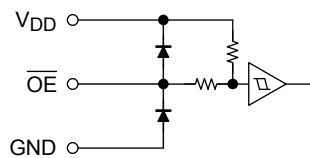
Characteristics		Symbol	Test Circuits	Test Conditions	Min	Typ.	Max	Unit
Propagation delay time	SCK- $\overline{\text{OUT0}}$	t_{pLH1}	7	$\overline{\text{SLAT}} = \text{"H"}, \overline{\text{OE}} = \text{"L"}$	—	20	100	ns
	$\overline{\text{SLAT}} - \overline{\text{OUT0}}$	t_{pLH2}	7	$\overline{\text{OE}} = \text{"L"}$	—	20	100	
	$\overline{\text{OE}} - \overline{\text{OUT0}}$	t_{pLH3}	7	$\overline{\text{SLAT}} = \text{"H"}$	—	20	100	
	SCK-SOUT	t_{pLH}	7	—	5	10	—	
	SCK- $\overline{\text{OUT0}}$	t_{pHL1}	7	$\overline{\text{SLAT}} = \text{"H"}, \overline{\text{OE}} = \text{"L"}$	—	50	100	
	$\overline{\text{SLAT}} - \overline{\text{OUT0}}$	t_{pHL2}	7	$\overline{\text{OE}} = \text{"L"}$	—	50	100	
	$\overline{\text{OE}} - \overline{\text{OUT0}}$	t_{pHL3}	7	$\overline{\text{SLAT}} = \text{"H"}$	—	50	100	
	SCK-SOUT	t_{pHL}	7	—	15	20	—	
Output rise time	t_{or}	7	10 to 90% of voltage waveform	—	30	150	ns	
Output fall time	t_{of}	7	90 to 10% of voltage waveform	—	70	150	ns	
Output delay time	$t_{DLY (ON)}$	7	$\overline{\text{OUT}}_n - \overline{\text{OUT}}_{(n+1)}$ between adjacent outputs	—	20	—	ns	
Output delay time	$t_{DLY (OFF)}$	7	$\overline{\text{OUT}}_n - \overline{\text{OUT}}_{(n+1)}$ between adjacent outputs	—	20	—	ns	

I/O Equivalent Circuits

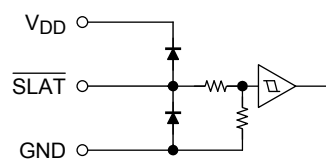
1. SCK, SIN



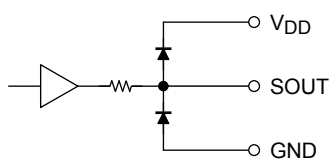
2. $\overline{\text{OE}}$



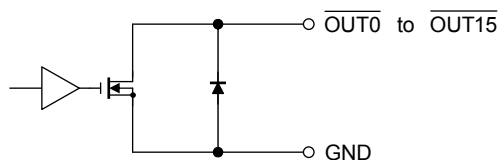
3. $\overline{\text{SLAT}}$



4. SOUT

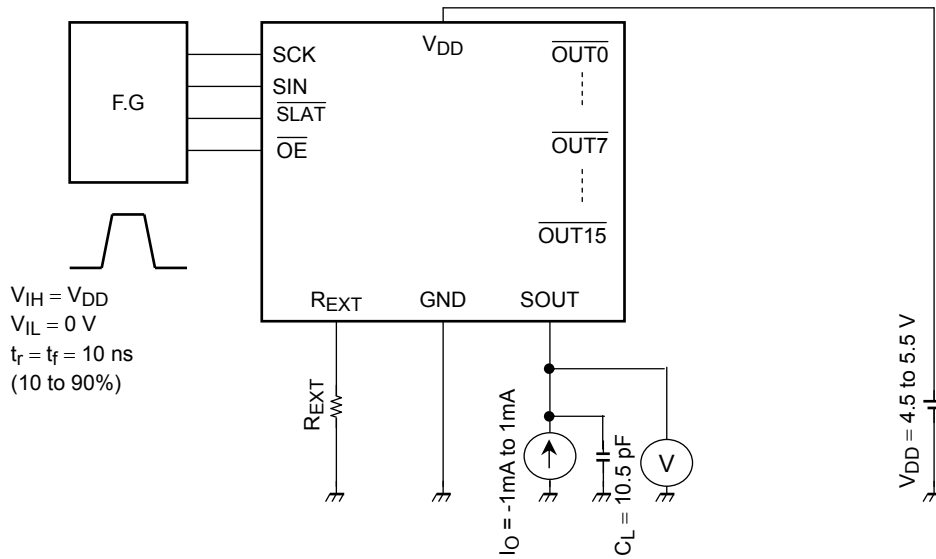


5. $\overline{\text{OUT0}}$ to $\overline{\text{OUT15}}$

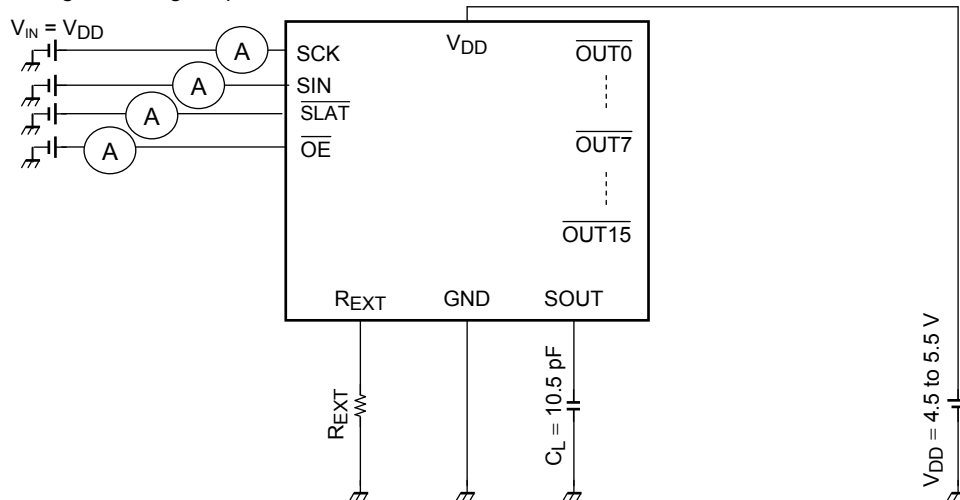


Test Circuits

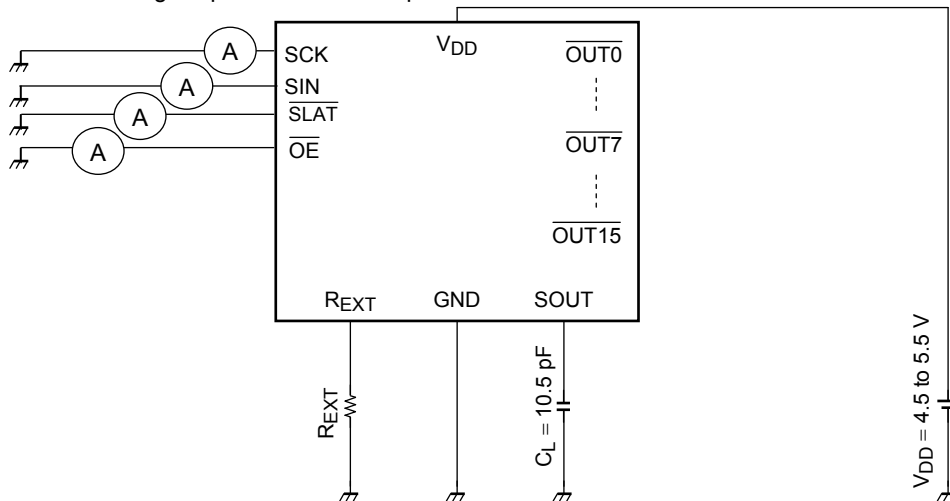
Test Circuit1: High level logic input voltage / Low level logic input voltage



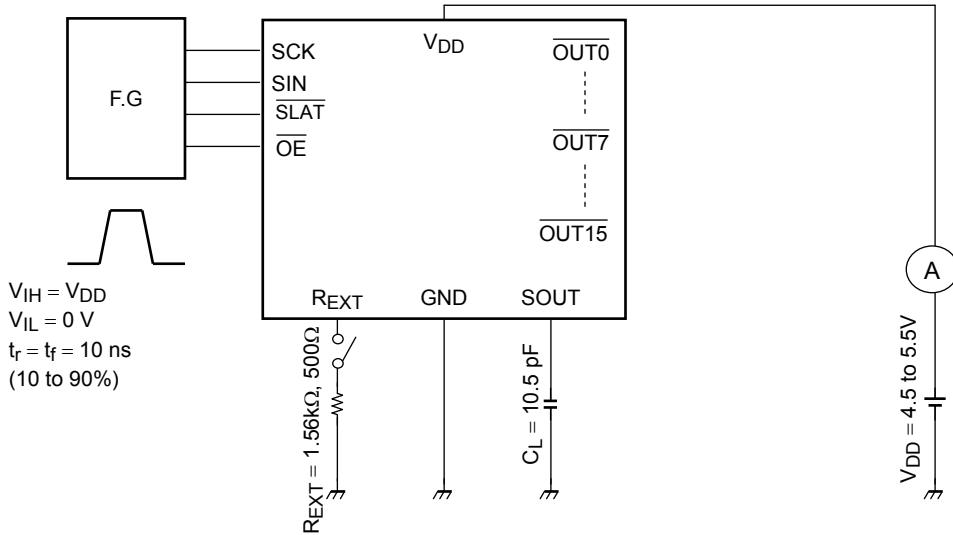
Test Circuit2: High level logic input current / Pull-down resistor



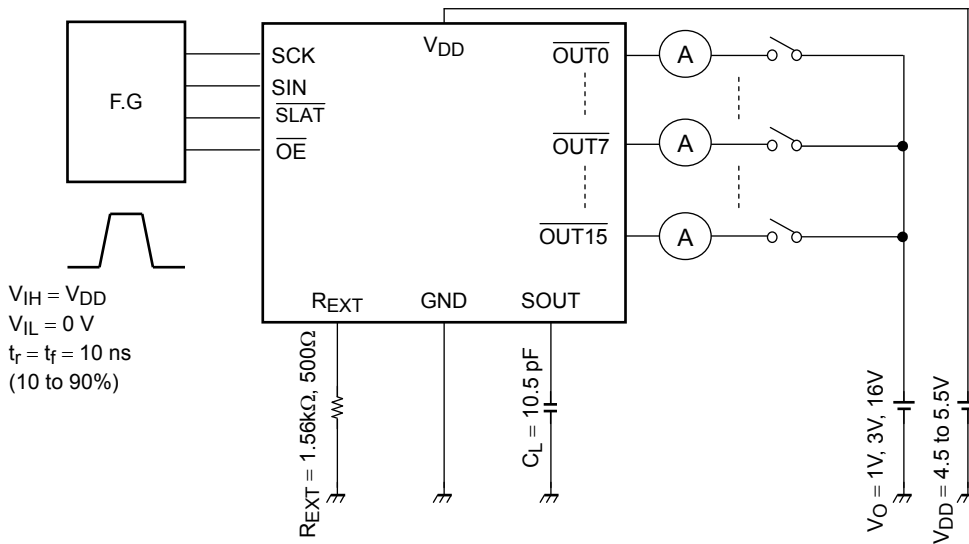
Test Circuit3: Low level logic input current / Pull-up resistor



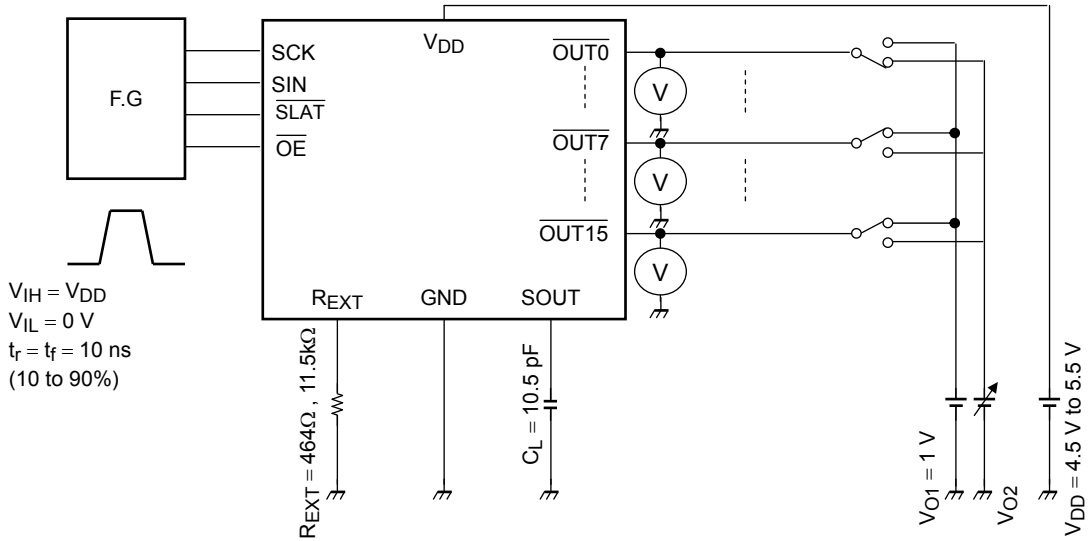
Test Circuit4: Power supply current



Test Circuit5: Constant current output / Output OFF leak current / Constant current error
Constant current power supply voltage regulation / Constant current output voltage regulation

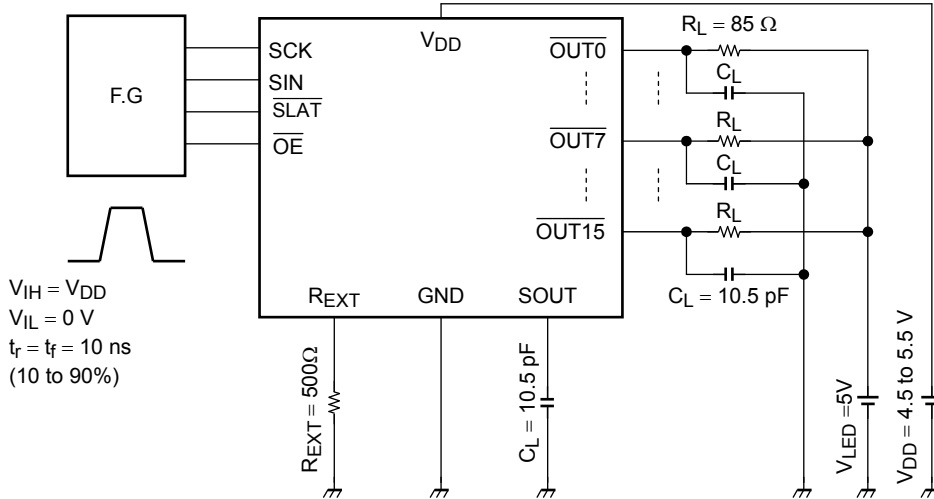


Test Circuit6: OOD voltage / OSD voltage



All output terminals is set to turning on, only one output terminal is connected with the V_{O2} power supply, and V_{O2} is changed. V_{OOD}/V_{OSD} is confirmed by the error detection result from SOUT.

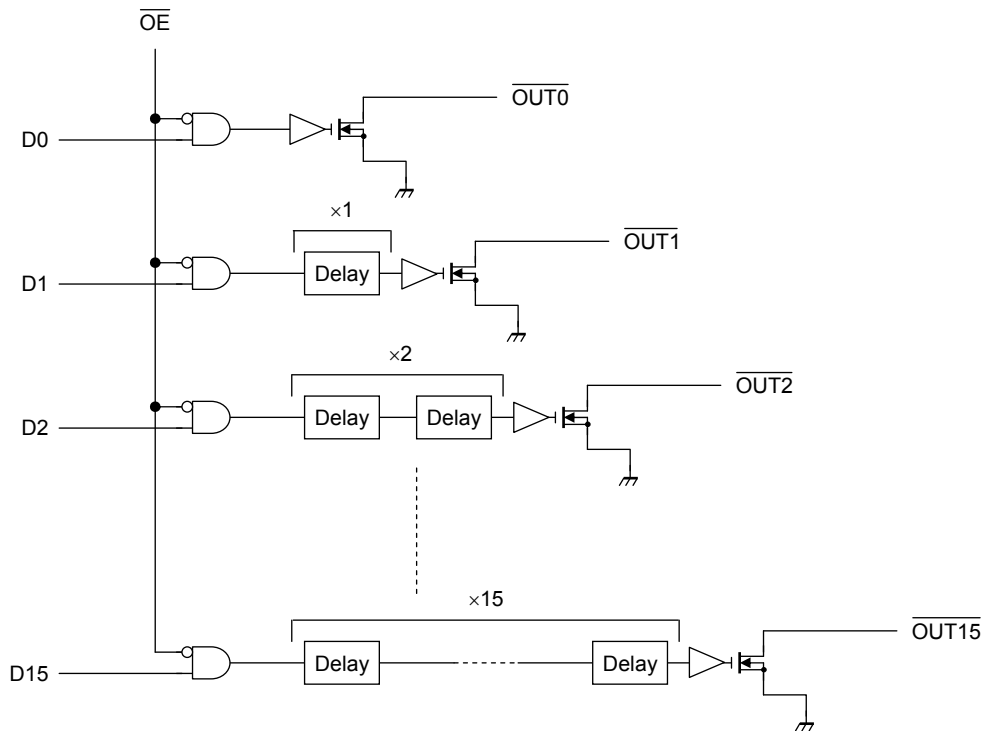
Test Circuit7: Switching Characteristics



Output Delay Circuit

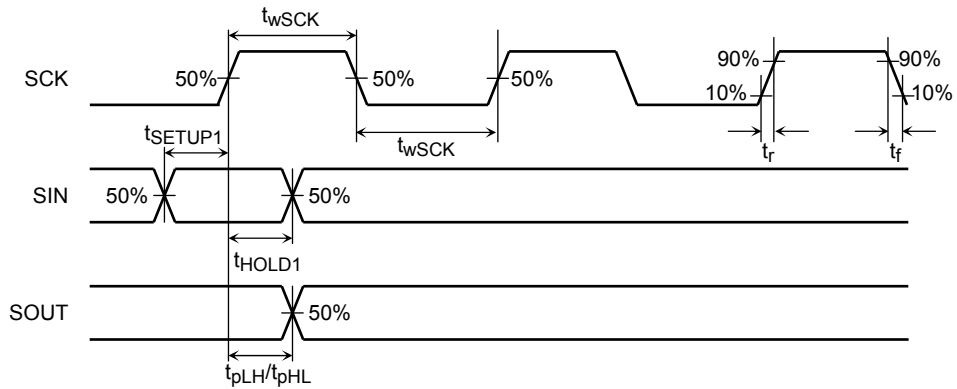
This is designed for high speed switching between outputs and is intended to have the effect of reducing switching noise by reducing the di/dt when all outputs are ON or OFF at the same time. There is a switching time lag (20 ns typ.) between adjacent outputs.

The equivalent circuit chart of the delay circuit is shown in the following.

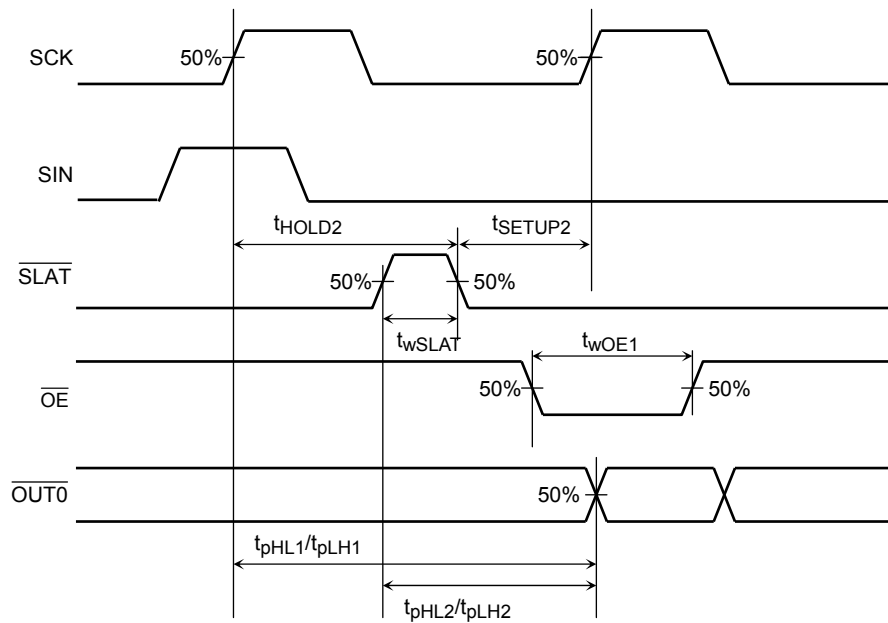


Timing Waveforms

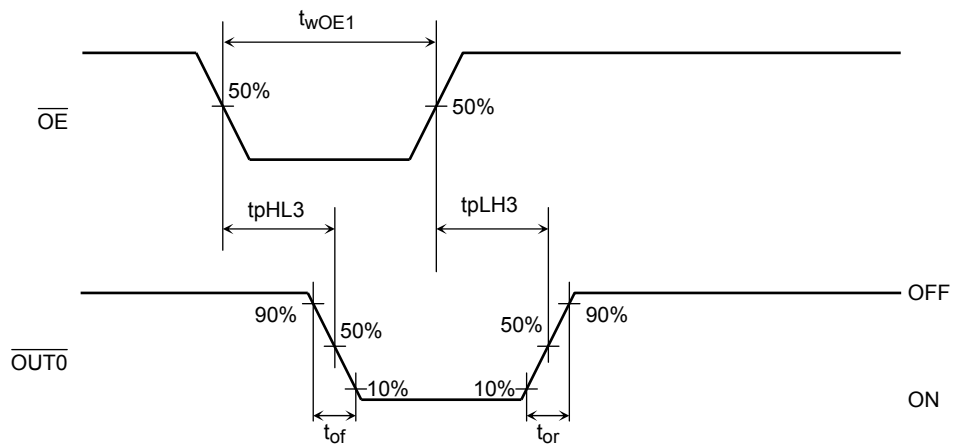
1. SCK, SIN, SOUT



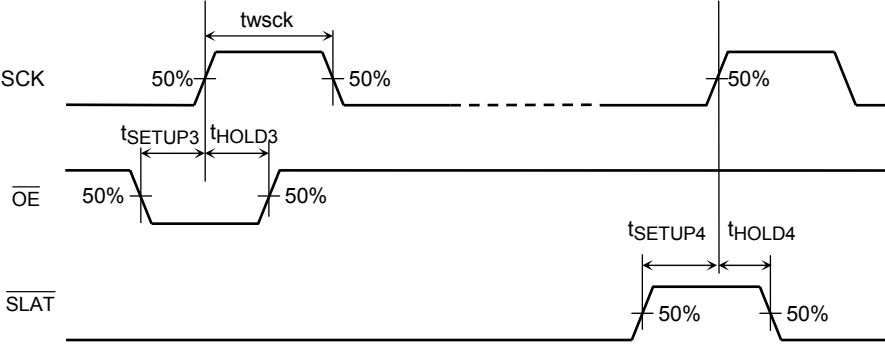
2. SCK, SIN, \overline{SLAT} , \overline{OE} , $\overline{OUT0}$



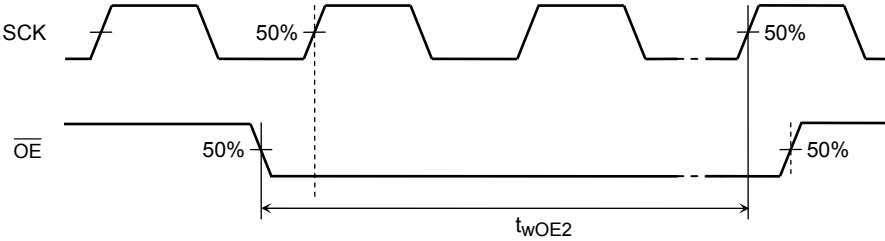
3. $\overline{OUT0}$



4. OOD Mode/OSD Mode



5. OOD/OSD Read Mode



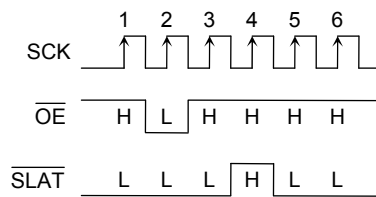
PWM grayscale control

This IC is possible to PWM grayscale control by the input of the PWM signal to the EN terminal.

When PWM grayscale control is done, we recommend the LED power-supply voltage to be set to become the satiety region of the constant current characteristic. When using this IC outside the saturation area, PWM grayscale control cannot be normally done.

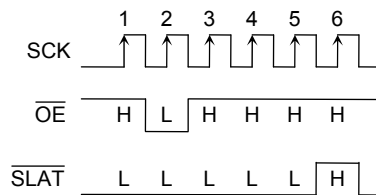
Switching to Open Circuit Detection (OOD) and Short Circuit Detection (OSD) Modes

Switching to OSD mode



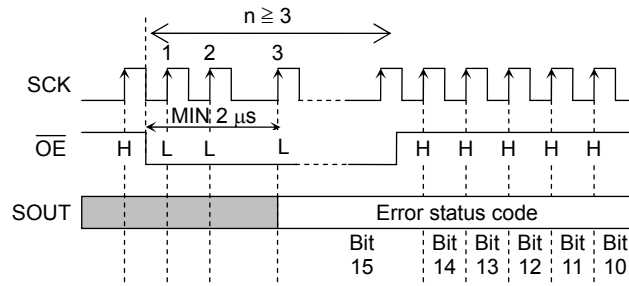
The signal sequence set to be in the OSD mode. Here, the $\overline{\text{SLAT}}$ active pulse would not latch any data.

Switching to OOD mode



The signal sequence set to be in the OOD mode. Here, the $\overline{\text{SLAT}}$ active pulse would not latch any data.

Reading Error Status Code



When the above signal sequence is set in the OOD and OSD modes, the error state code can be read through the terminal SOUT.

Error state code of OOD detection mode

	Error state code	State of output terminal
$V_{OOD} \geq V_0$	0	Open circuit
$V_{OOD} < V_0$	1	Normal

Error state code of OSD detection mode

	Error state code	State of output terminal
$V_{OSD} \leq V_0$	0	Short circuit
$V_{OSD} > V_0$	1	Normal

Description

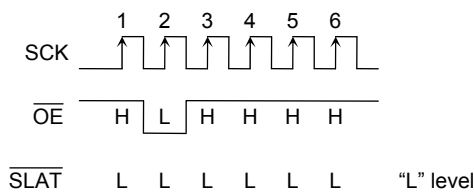
In the OOD and OSD modes, the state of \overline{OE} must be switched from “H” to “L”. And, then, This IC would execute Open-/Short-circuit Detection as well as enabling output ports to drive current.

At least three clock must be inputs at the “L” state of \overline{OE} and the third clock should be at least 2 μ s after the falling edge of \overline{OE} . the detected error status into the built-in shift register is done by rising edge of this third clock.

When \overline{OE} is “L”, the serial data cannot be input from the terminal SIN.

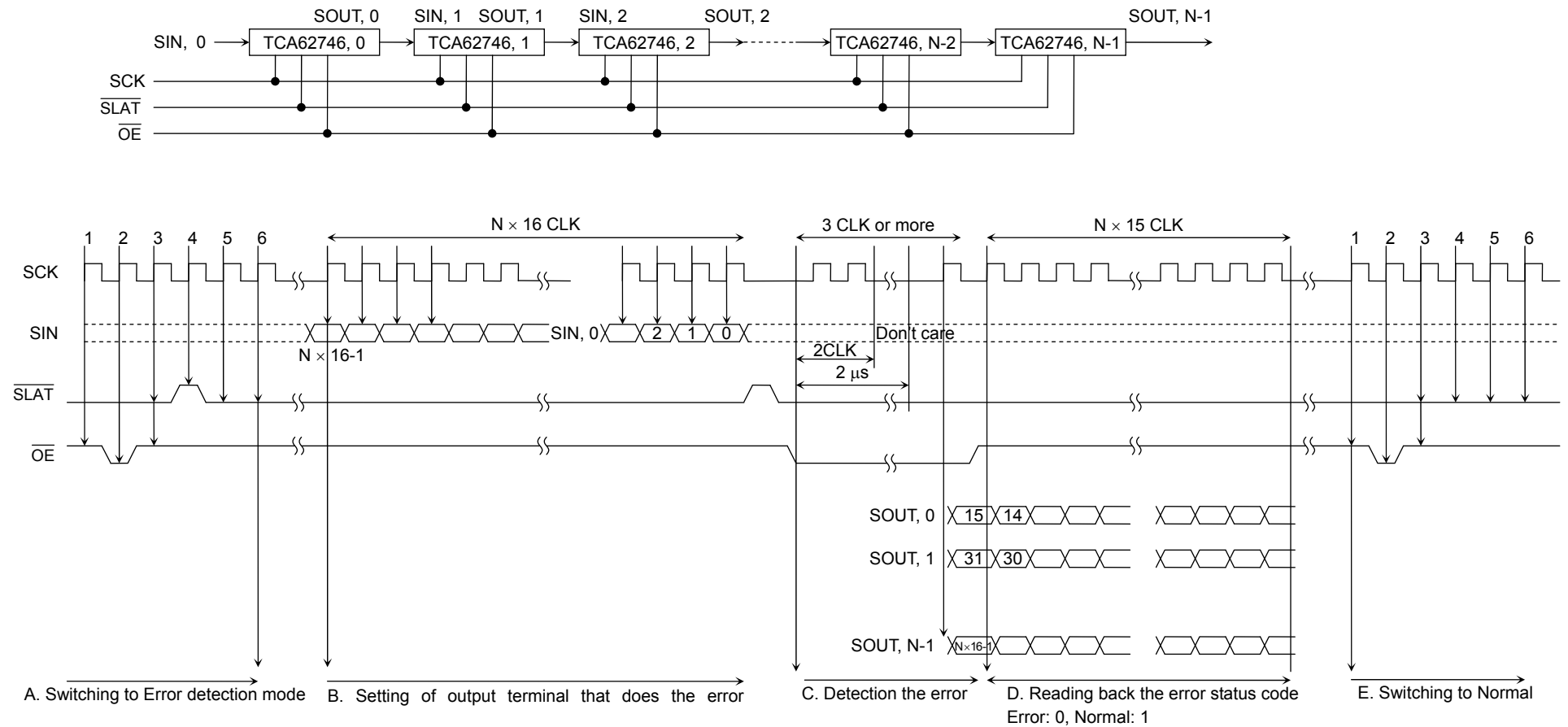
When \overline{OE} is changed from “L” to “H”, the error state code is output from the terminal SOUT synchronizing with the clock.

Switching to Normal Mode



The signal sequence set to be in the Normal mode.

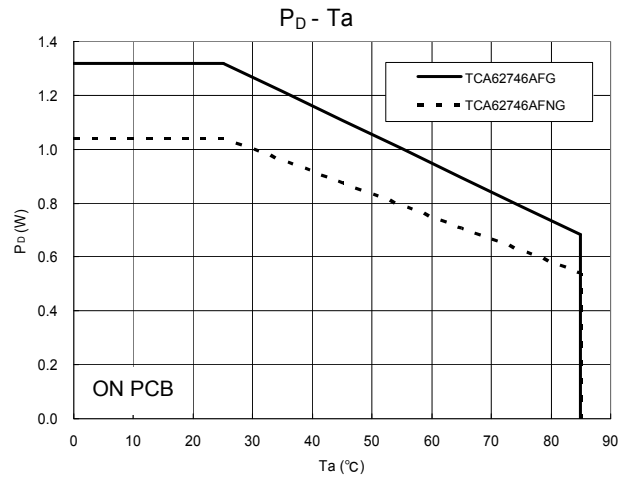
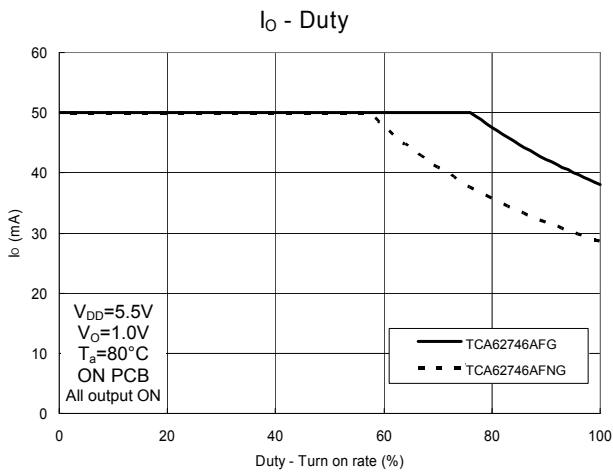
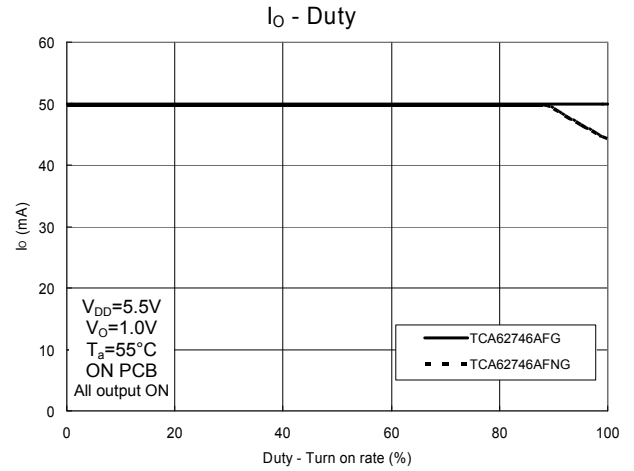
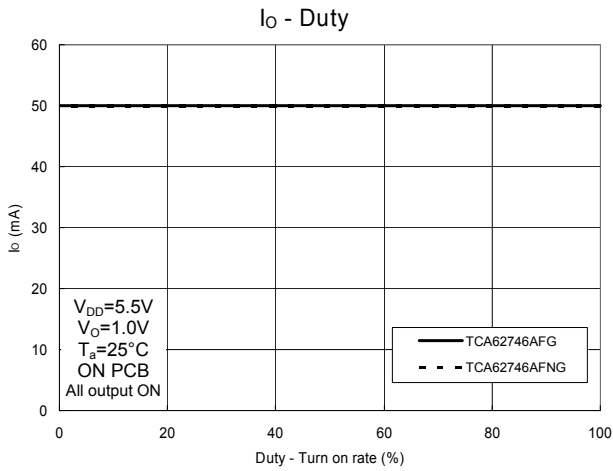
Timing chart of error detection mode (OSD mode)



Reference data

*This data is provided for reference only. Thorough evaluation and testing should be implemented when designing your application's mass production design.

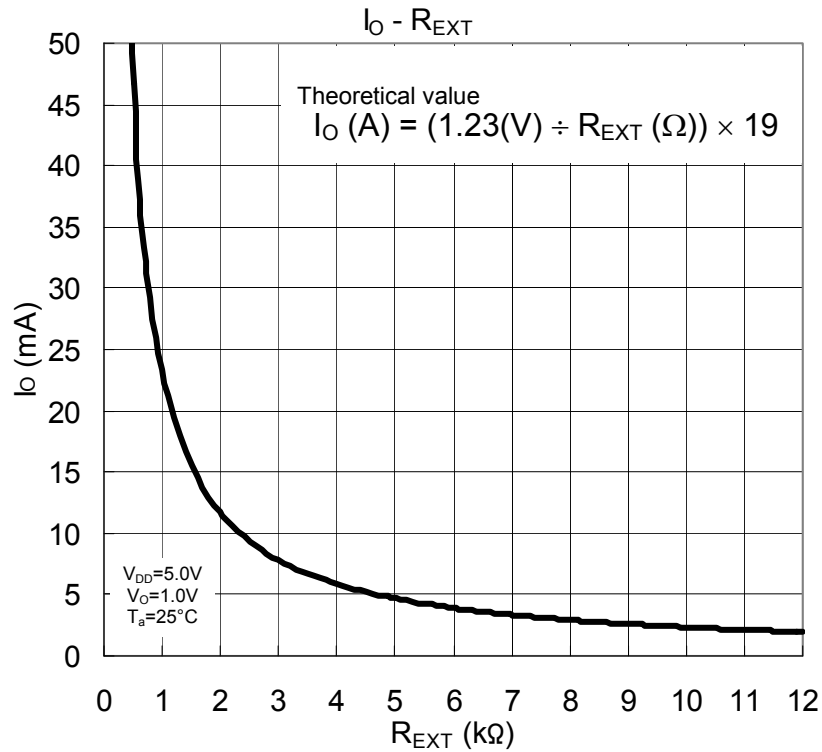
Set output current – Duty cycle graph



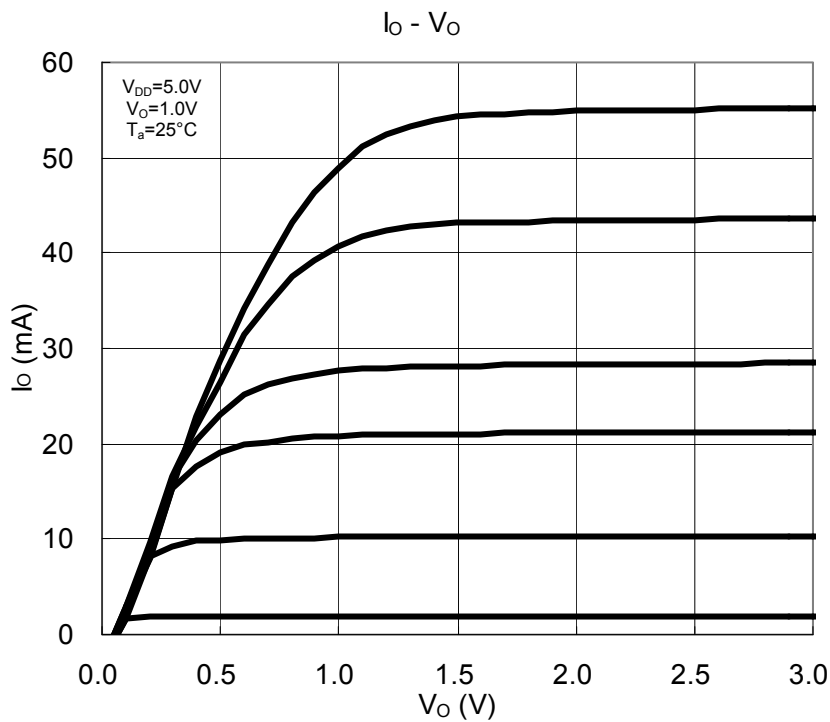
Reference data

*This data is provided for reference only. Thorough evaluation and testing should be implemented when designing your application's mass production design.

Output Current – R_{EXT} Resistor



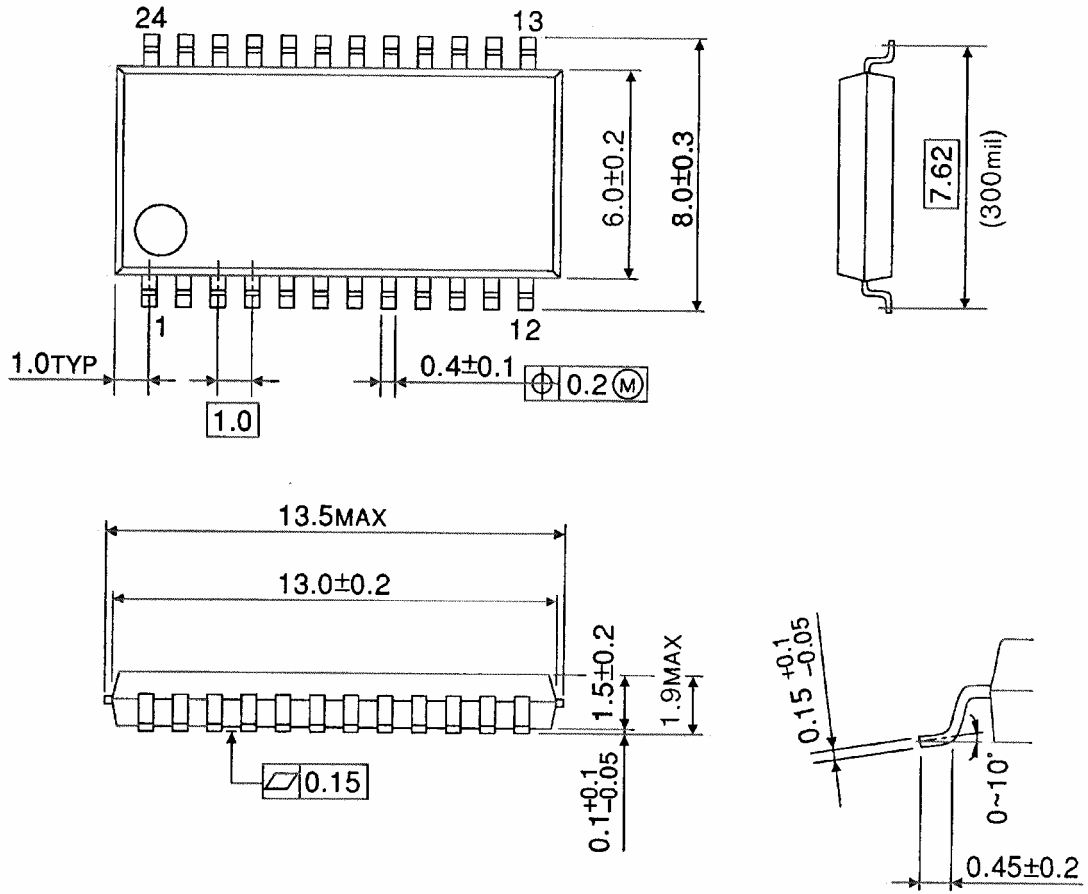
Constant current characteristic



Package Dimensions

SSOP24-P-300-1.00B

Unit : mm

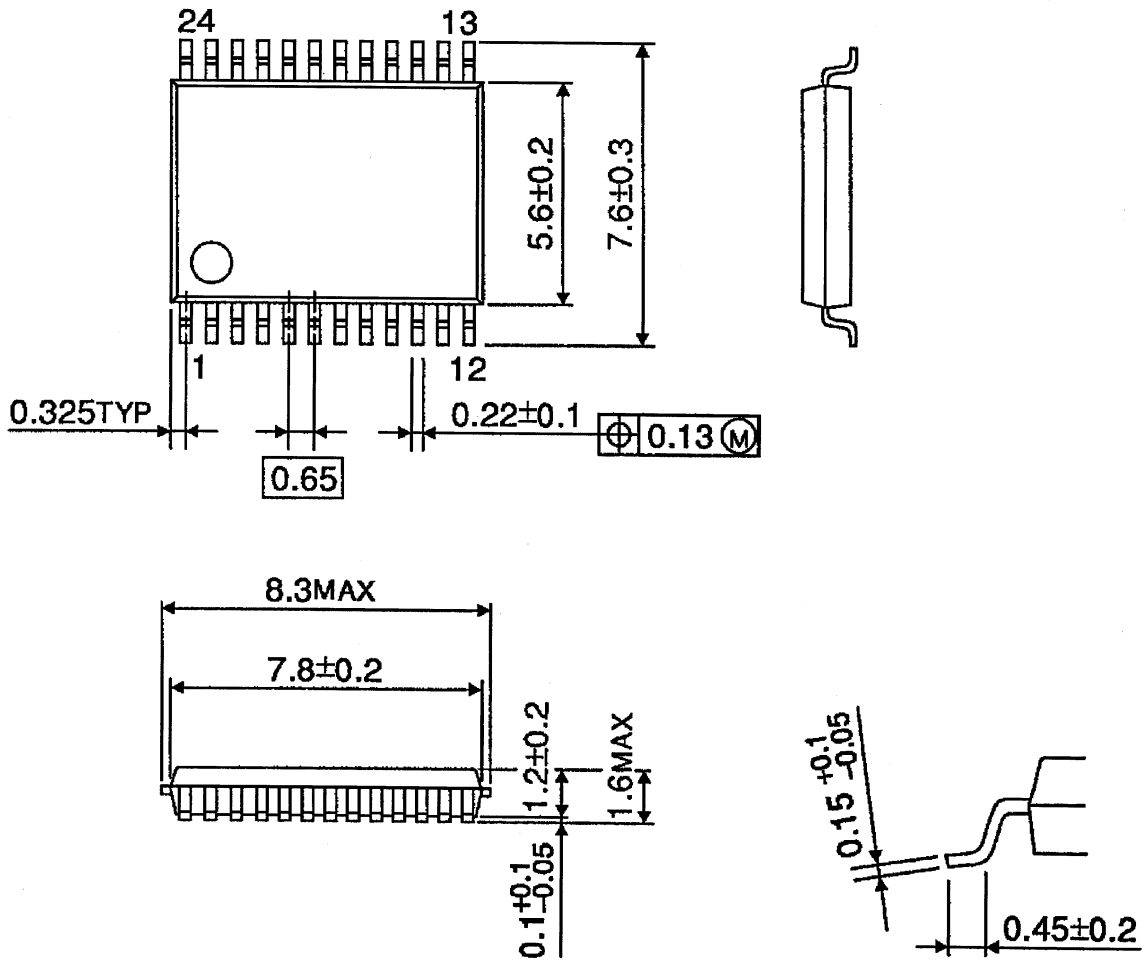


Weight: 0.32 g (typ.)

Package Dimensions

SSOP24-P-300-0.65A

単位 : mm



Weight: 0.14 g (typ.)

Serge resisting

The terminals which are weak to electro static discharge are shown in the following table.

pin	MM Model ESD test Result (Internal Standard ±200V)			
	- Serge		+ Serge	
	Standard	TEST Result	Standard	TEST Result
1	V _{DD}	200V	V _{DD}	200V
2	V _{DD} ,GND	200V	V _{DD} ,GND	200V
3	V _{DD} ,GND	200V	V _{DD} ,GND	200V
4	V _{DD} ,GND	200V	V _{DD} ,GND	200V
5	V _{DD} ,GND	200V	V _{DD} ,GND	160V
6	V _{DD} ,GND	200V	V _{DD} ,GND	160V
7	V _{DD} ,GND	200V	V _{DD} ,GND	160V
8	V _{DD} ,GND	200V	V _{DD} ,GND	160V
9	V _{DD} ,GND	200V	V _{DD} ,GND	160V
10	V _{DD} ,GND	200V	V _{DD} ,GND	160V
11	V _{DD} ,GND	200V	V _{DD} ,GND	160V
12	V _{DD} ,GND	200V	V _{DD} ,GND	160V
13	V _{DD} ,GND	200V	V _{DD} ,GND	160V
14	V _{DD} ,GND	200V	V _{DD} ,GND	160V
15	V _{DD} ,GND	200V	V _{DD} ,GND	160V
16	V _{DD} ,GND	200V	V _{DD} ,GND	160V
17	V _{DD} ,GND	200V	V _{DD} ,GND	160V
18	V _{DD} ,GND	200V	V _{DD} ,GND	160V
19	V _{DD} ,GND	200V	V _{DD} ,GND	160V
20	V _{DD} ,GND	200V	V _{DD} ,GND	160V
21	V _{DD} ,GND	200V	V _{DD} ,GND	200V
22	V _{DD} ,GND	200V	V _{DD} ,GND	200V
23	V _{DD} ,GND	200V	V _{DD} ,GND	200V
24	GND	200V	GND	200V

Notes on Contents**1. Block Diagrams**

Some of the functional blocks, circuits, or constants in the block diagram may be omitted or simplified for explanatory purposes.

2. Equivalent Circuits

The equivalent circuit diagrams may be simplified or some parts of them may be omitted for explanatory purposes.

3. Timing Charts

Timing charts may be simplified for explanatory purposes.

4. Application Circuits

The application circuits shown in this document are provided for reference purposes only. Thorough evaluation is required, especially at the mass production design stage.

Toshiba does not grant any license to any industrial property rights by providing these examples of application circuits.

5. Test Circuits

Components in the test circuits are used only to obtain and confirm the device characteristics. These components and circuits are not guaranteed to prevent malfunction or failure from occurring in the application equipment.

IC Usage Considerations**Notes on handling of ICs**

- [1] The absolute maximum ratings of a semiconductor device are a set of ratings that must not be exceeded, even for a moment. Do not exceed any of these ratings.
Exceeding the rating(s) may cause the device breakdown, damage or deterioration, and may result injury by explosion or combustion.
- [2] Use an appropriate power supply fuse to ensure that a large current does not continuously flow in case of over current and/or IC failure. The IC will fully break down when used under conditions that exceed its absolute maximum ratings, when the wiring is routed improperly or when an abnormal pulse noise occurs from the wiring or load, causing a large current to continuously flow and the breakdown can lead smoke or ignition. To minimize the effects of the flow of a large current in case of breakdown, appropriate settings, such as fuse capacity, fusing time and insertion circuit location, are required.
- [3] If your design includes an inductive load such as a motor coil, incorporate a protection circuit into the design to prevent device malfunction or breakdown caused by the current resulting from the inrush current at power ON or the negative current resulting from the back electromotive force at power OFF. IC breakdown may cause injury, smoke or ignition.
Use a stable power supply with ICs with built-in protection functions. If the power supply is unstable, the protection function may not operate, causing IC breakdown. IC breakdown may cause injury, smoke or ignition.
- [4] Do not insert devices in the wrong orientation or incorrectly.
Make sure that the positive and negative terminals of power supplies are connected properly.
Otherwise, the current or power consumption may exceed the absolute maximum rating, and exceeding the rating(s) may cause the device breakdown, damage or deterioration, and may result injury by explosion or combustion.
In addition, do not use any device that is applied the current with inserting in the wrong orientation or incorrectly even just one time.
- [5] Carefully select external components (such as inputs and negative feedback capacitors) and load components (such as speakers), for example, power amp and regulator.
If there is a large amount of leakage current such as input or negative feedback condenser, the IC output DC voltage will increase. If this output voltage is connected to a speaker with low input withstand voltage, overcurrent or IC failure can cause smoke or ignition. (The over current can cause smoke or ignition from the IC itself.) In particular, please pay attention when using a Bridge Tied Load (BTL) connection type IC that inputs output DC voltage to a speaker directly.

About solderability, following conditions were confirmed

- Solderability

- (1) Use of Sn-37Pb solder Bath

- solder bath temperature = 230°C
 - dipping time = 5 seconds
 - the number of times = once
 - use of R-type flux

- (2) Use of Sn-3.0Ag-0.5Cu solder Bath

- solder bath temperature = 245°C
 - dipping time = 5 seconds
 - the number of times = once
 - use of R-type flux

RESTRICTIONS ON PRODUCT USE

20070701-EN

- The information contained herein is subject to change without notice.
- TOSHIBA is continually working to improve the quality and reliability of its products. Nevertheless, semiconductor devices in general can malfunction or fail due to their inherent electrical sensitivity and vulnerability to physical stress. It is the responsibility of the buyer, when utilizing TOSHIBA products, to comply with the standards of safety in making a safe design for the entire system, and to avoid situations in which a malfunction or failure of such TOSHIBA products could cause loss of human life, bodily injury or damage to property.
In developing your designs, please ensure that TOSHIBA products are used within specified operating ranges as set forth in the most recent TOSHIBA products specifications. Also, please keep in mind the precautions and conditions set forth in the "Handling Guide for Semiconductor Devices," or "TOSHIBA Semiconductor Reliability Handbook" etc.
- The TOSHIBA products listed in this document are intended for usage in general electronics applications (computer, personal equipment, office equipment, measuring equipment, industrial robotics, domestic appliances, etc.). These TOSHIBA products are neither intended nor warranted for usage in equipment that requires extraordinarily high quality and/or reliability or a malfunction or failure of which may cause loss of human life or bodily injury ("Unintended Usage"). Unintended Usage include atomic energy control instruments, airplane or spaceship instruments, transportation instruments, traffic signal instruments, combustion control instruments, medical instruments, all types of safety devices, etc.. Unintended Usage of TOSHIBA products listed in this document shall be made at the customer's own risk.
- The products described in this document shall not be used or embedded to any downstream products of which manufacture, use and/or sale are prohibited under any applicable laws and regulations.
- The information contained herein is presented only as a guide for the applications of our products. No responsibility is assumed by TOSHIBA for any infringements of patents or other rights of the third parties which may result from its use. No license is granted by implication or otherwise under any patents or other rights of TOSHIBA or the third parties.
- Please use these products in this document in compliance with all applicable laws and regulations that regulate the inclusion or use of controlled substances. Toshiba assumes no liability for damage or losses occurring as a result of noncompliance with applicable laws and regulations.
- The products described in this document are subject to foreign exchange and foreign trade control laws.