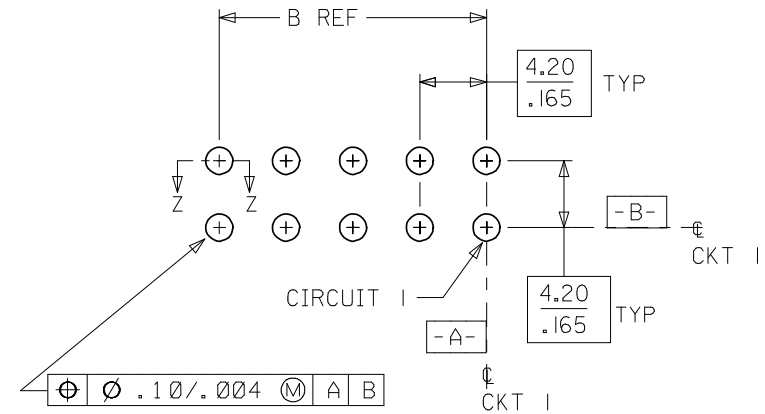
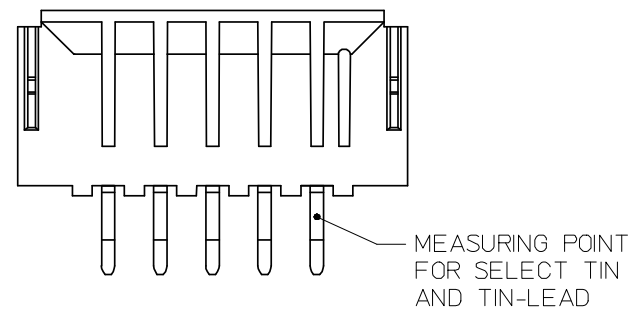


CKT	A	B
4	18.81 / .740	4.20 / .165
6	23.01 / .906	8.40 / .331
8	27.21 / 1.071	12.60 / .496
10	31.41 / 1.237	16.80 / .661
12	35.61 / 1.402	21.00 / .827
14	39.81 / 1.567	25.20 / .992
16	44.01 / 1.733	29.40 / 1.157
18	48.21 / 1.898	33.60 / 1.323
20	52.41 / 2.063	37.80 / 1.488
22	56.61 / 2.229	42.00 / 1.654
24	60.81 / 2.394	46.20 / 1.819



- NOTES:
- MATERIAL:
HOUSING: NYLON, GLASS FILLED, UL94V-0, COLOR: BLACK
TERMINAL: PHOSPHOR BRONZE
 - FINISH: SEE SHEET 2
 - PRODUCT SPECIFICATION: PS-43879-001
 - PACKAGING: PK-43879-001
 - THIS PART MATES WITH RECEPTACLE NUMBERS 5557 AND 42474
 - THIS PART MATES WITH HEADER NUMBER 42385
 - PART ALLOWS FOR 1.27/.050 MAX. MIS-ALIGNMENT WITH MATING HOUSING IN ANY DIRECTION
 - DRILLED HOLE DIAMETER IS EQUIVALENT TO 5/64 INCH STANDARD DRILL BIT
 - CONNECTOR ASSEMBLIES ARE NOT DESIGNED TO BE MATED AND UNMATED WHILE CIRCUITS ARE LIVE
 - PART IS NOT DESIGNED FOR CURRENT SHARING
 - PART CONFORMS TO CLASS "B" REQUIREMENTS OF COSMETIC SPECIFICATION PS-45499-002

PCB LAYOUT: COMPONENT SIDE
RECOMMENDED MINIMUM PCB THICKNESS: $\frac{2.24}{.088}$

2	K
1	K2
SHEET	REV

UPDT PCB TAIL LENGT K2	EC NO: UCP2008-2722 2008/05/07 DRWN: J.BELL 2008/05/28 CHKD: AELHAG 2008/05/28 APPR: FSM/TH 2008/05/28	QUALITY SYMBOLS ▽=0 ▽=0	GENERAL TOLERANCES (UNLESS SPECIFIED)		DIMENSION STYLE MM/IN		SCALE ---	DESIGN UNITS METRIC	THIRD ANGLE PROJECTION				
			4 PLACES ± --- ± ---	3 PLACES ± --- ± .010	2 PLACES ± 0.25 ± .014	1 PLACE ± 0.35 ± ---	ANGULAR ± 1/2°	DRAWN BY MANLAPAZ	DATE 1998/04/08	TITLE MINI-FIT JR BMI/CPI HEADER ASSEMBLY			
			DRAFT WHERE APPLICABLE MUST REMAIN WITHIN DIMENSIONS			MATERIAL NO. SEE SHEET 2		EDGLEY		DATE 1998/04/08		MOLEX INCORPORATED	
						SIZE B		THIS DRAWING CONTAINS INFORMATION THAT IS PROPRIETARY TO MOLEX INCORPORATED AND SHOULD NOT BE USED WITHOUT WRITTEN PERMISSION		DOCUMENT NO. SD-43879-021		SHEET NO. 1 OF 2	

FINISH: 1 TIN OVER NICKEL		FINISH: 2 GOLD & TIN/LEAD OVER NICKEL		FINISH: 3 TIN/LEAD OVER NICKEL		FINISH: 4 GOLD & TIN OVER NICKEL		FINISH: 5 GOLD & TIN/LEAD OVER NICKEL	
CKTS	MATERIAL NO.	CKTS	MATERIAL NO.	CKTS	MATERIAL NO.	CKTS	MATERIAL NO.	CKTS	MATERIAL NO.
04	43879-0022	04	43879-0033	04	43879-0044	04	43879-0055	04	43879-0066
06	43879-0023	06	43879-0034	06	43879-0045	06	43879-0056	06	43879-0067
08	NOT TOOLED	08	NOT TOOLED	08	NOT TOOLED	08	NOT TOOLED	08	NOT TOOLED
10	43879-0025	10	43879-0036	10	43879-0047	10	43879-0058	10	43879-0069
12	NOT TOOLED	12	NOT TOOLED	12	NOT TOOLED	12	NOT TOOLED	12	NOT TOOLED
14	43879-0027	14	43879-0038	14	43879-0049	14	43879-0060	14	43879-0071
16	NOT TOOLED	16	NOT TOOLED	16	NOT TOOLED	16	NOT TOOLED	16	NOT TOOLED
18	43879-0029	18	43879-0040	18	43879-0051	18	43879-0062	18	43879-0073
20	NOT TOOLED	20	NOT TOOLED	20	NOT TOOLED	20	NOT TOOLED	20	NOT TOOLED
22	NOT TOOLED	22	NOT TOOLED	22	NOT TOOLED	22	NOT TOOLED	22	NOT TOOLED
24	43879-0032	24	43879-0043	24	43879-0054	24	43879-0065	24	43879-0076

FINISH:

1 - 0.00254/.000100 MIN. BRIGHT TIN OVER 0.00127/.000050 MIN. NICKEL OVERALL.

2 - 0.00076/.000030 MIN. GOLD IN CONTACT AREA, 0.00254/.000100 MIN. 90/10 MATTE TIN/LEAD IN TAIL AREA, OVER 0.00127/.000050 MIN. NICKEL OVERALL.

3 - 0.00254/.000100 MIN. 90/10 BRIGHT TIN/LEAD OVER 0.00127/.000050 MIN. NICKEL OVERALL.

4 - 0.00076/.000030 MIN. GOLD IN CONTACT AREA, 0.00254/.000100 MIN. MATTE TIN IN TAIL AREA, OVER 0.00127/.000050 MIN. NICKEL OVERALL.

5 - 0.00076/.000030 MIN. GOLD IN CONTACT AREA, 0.00076-0.00178/.000030-.000070 90/10 MATTE TIN/LEAD IN TAIL AREA, OVER 0.00127/.000050 MIN. NICKEL OVERALL.

SEE SHEET ONE EC NO: UCP2007-2985 DRWN:LSCHMIDT 2007/06/15 CHKD:JBELL 2007/06/18 APPR:FSMTH 2007/06/20	QUALITY SYMBOLS ▽=0 ▽=0	GENERAL TOLERANCES (UNLESS SPECIFIED)		DIMENSION STYLE		SCALE	DESIGN UNITS	THIRD ANGLE PROJECTION
				MM/IN		---	METRIC	
				DRAWN BY DATE		TITLE		
				CHECKED BY DATE		MINI-FIT JR BMI/CPI HEADER ASSEMBLY		
		1 PLACE ±0.35 ±---		APPROVED BY DATE		MOLEX INCORPORATED		
		ANGULAR ±1/2°		EDGLEY 1998/04/08		DOCUMENT NO.		
		DRAFT WHERE APPLICABLE MUST REMAIN WITHIN DIMENSIONS		SEE CHART		SD-43879-021		
				MATERIAL NO.		SHEET NO.		
				SIZE B		2 OF 2		
				THIS DRAWING CONTAINS INFORMATION THAT IS PROPRIETARY TO MOLEX INCORPORATED AND SHOULD NOT BE USED WITHOUT WRITTEN PERMISSION				