



# Divisible Europa terminal strips

# EUROPA

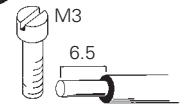
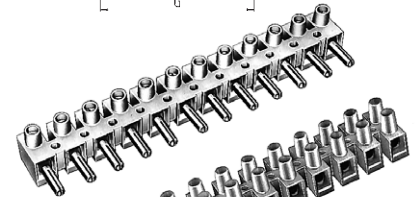
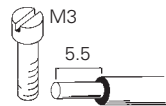
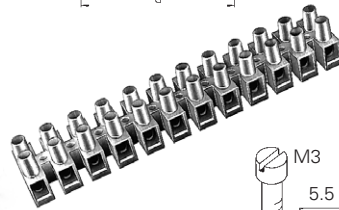
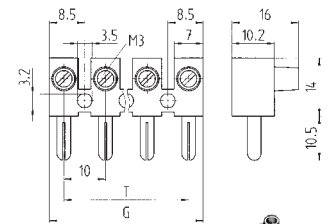
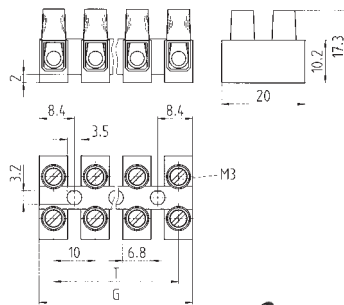
## Material:

Insulating housing: Polyamide 6 ivory  
 Hardness test at 125 °C  
 Glow-wire test with 850 °C  
 Tracking test PTI 250  
 Clamping body: nickel-plated brass  
 Wire protection: phosphor bronze  
 Clamping screws: steel, zinc-plated and dichromated

Permanent temperature 100 °C  
 Permanent temperature 130 °C accord. to UL 746 B  
 Tracking resistance accord. to DIN IEC 112 CTI > 600.

Terminals with wire protection DS are fitted with a wire protection guard inside the clamping body, which prevents damage to the connected wire. All parts are captive in the insulating housing. The clamping screws are secured against loosening and provide vibration-proof connections. The terminal strips are supplied with the clamping screws in the "open" position.

EN 60998-1/-2-1 (fixed position)  
 EN60335-1/DIN VDE 0700 T1  
 Approvals



## Type 6 E

4 mm<sup>2</sup>

with DS: up to 2.5 mm<sup>2</sup>/fine-stranded  
 400 V; 24 A; 1.0 – 2.5 mm<sup>2</sup>

Male terminal strip without wire protection  
**Type 6 ES**

Female terminal strip without wire protection  
**Type 6 E**

4 mm<sup>2</sup>

AC 400 V; 10 A; 1 – 1.5 mm<sup>2</sup>/1 – 2.5 mm<sup>2</sup>\*



	Poles	G	T	Type	Part no.	Std. pack	G	T	Type	Part no.	Std. pack	
without wire protection	1	7	-	6E/ 1	21.310.0153.0	4000	7	-	6ES/ 1	22.310.0153.0	100	
UL ratings: AWG no. 20-12 20 A (6 E) 22-14 15 A (6 E DS) 22-12 20 A (6 ES, 6 E) Female terminal strip 22-8 40 A (10 E) 22-12 20 A (10 E DS) 22-8 50/65 A (16 E)-field/factory wiring 22-10 30/40 A (16 E DS)-field/factory wiring 20-4 70 A (20 E) 22-6 65/75 A (20 E DS)-field/factory wiring 300 V (600 V with PVC insulating spacer)	2	17	10	6E/ 2	21.310.0253.0	1500	17	10	6ES/ 2	22.310.0253.0	100	
	3	27	20	6E/ 3	21.310.0353.0	1500	27	20	6ES/ 3	22.310.0353.0	100	
	4	37	30	6E/ 4	21.310.0453.0	1000	37	30	6ES/ 4	22.310.0453.0	100	
	5	47	40	6E/ 5	21.310.0553.0	500	47	40	6ES/ 5	22.310.0553.0	100	
	6	57	50	6E/ 6	21.310.0653.0	500	57	50	6ES/ 6	22.310.0653.0	100	
	7	67	60	6E/ 7	21.310.0753.0	50	67	60	6ES/ 7	22.310.0753.0	50	
	8	77	70	6E/ 8	21.310.0853.0	50	77	70	6ES/ 8	22.310.0853.0	50	
	9	87	80	6E/ 9	21.310.0953.0	50	87	80	6ES/ 9	22.310.0953.0	50	
	10	97	90	6E/10	21.310.1053.0	50	97	90	6ES/10	22.310.1053.0	50	
	12	117	110	6E	21.310.1253.0	250	117	110	6ES	22.310.1253.0	50	
										Female terminal strip without wire protection		
	with wire protection (DS)	1	7	-	6E/ 1 DS	21.311.0153.0	4000	7	-	6E/ 1	99.261.3521.9	200
CSA ratings: AWG no. 22-14 20 A (6 E, 6 E DS) 22-14 20 A (6 ES, 6 E) Female terminal strip 22-12 25 A (10 E, 10 E DS) 20-10 40 A (16 E, 16 E DS) 18-8 65 A (20 E, 20 E DS) 300 V (600 V with PVC insulating spacer) - with insulating spacer and fastening screws from insulating material 800 V 6 E (DS) - with insulating spacer and fastening screws from insulating material 1000 V 10 E (DS), 16 E (DS), 20 E (DS) - 1pole version (without own fastening device) no VDE approval 20 E, 20 EDS: 18-6 AWG, 65 A, 600 V - no spacer required	2	17	10	6E/ 2 DS	21.311.0253.0	1500	17	10	6E/ 2	99.262.3521.9	100	
	3	27	20	6E/ 3 DS	21.311.0353.0	1500	27	20	6E/ 3	99.263.3521.9	100	
	4	37	30	6E/ 4 DS	21.311.0453.0	1000	37	30	6E/ 4	99.264.3521.9	100	
	5	47	40	6E/ 5 DS	21.311.0553.0	500	47	40	6E/ 5	99.265.3521.9	500	
	6	57	50	6E/ 6 DS	21.311.0653.0	500	57	50	6E/ 6	99.266.3521.9	100	
	7	67	60	6E/ 7 DS	21.311.0753.0	50	67	60	6E/ 7	99.267.3521.9	50	
	8	77	70	6E/ 8 DS	21.311.0853.0	50	77	70	6E/ 8	99.268.3521.9	50	
	9	87	80	6E/ 9 DS	21.311.0953.0	50	87	80	6E/ 9	99.269.3521.9	50	
	10	97	90	6E/10 DS	21.311.1053.0	50	97	90	6E/10	99.270.3521.9	50	
	12	117	110	6E DS	21.311.1253.0	250	117	110	6E	99.272.3521.9	50	
	<b>Accessories</b>											
	Jumper bars E-Cu	2			VB 11/1/2	07.250.0227.0	100					
	3			VB 11/1/3	07.250.0327.0	100						
	6	52.8		VB 11/1/6	07.250.0627.0	50						
	12	112.8		VB 11/1/12	07.250.1027.0	50						
Insulating spacer PVC polycarbonate-yellow for higher voltages 1000 mm		1000.0			07.470.1380.0	1						
Wire guard Polycarbonat-yellow	2 -	20.5		LH GE/2	07.470.2256.0	100						
	12	120		LH GE/12	07.470.3256.0	10						

\*1) flexible wire/rigid wire

