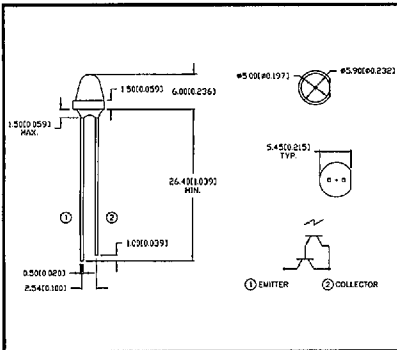


discrete sensors photodarlington transistors



RADIAL LEADED, EPOXY LENS PACKAGES

OED-PT5063L40

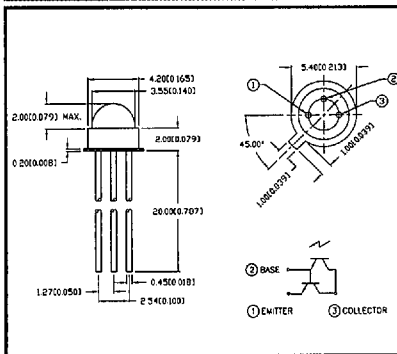


Package Style	Lens	Limits of Safe Operation			I _{CEO} @ 10 V _{CEO} (nA) Max
		V _{CEO} (V) Max	PC (mW) Max	t-opr (°C)	
T-5mm Leaded	Black Resin	30	100	-40 ~ + 85	100

I _c (mA) @ EV ~ 1000 Lx				λ _p (nm) Typ	Δ θ deg Typ	λ (nm)	tr/ff @ V _{EC} 5V I _c 1mA
Min	Typ	Max	V _{CE} (V)				
—	0.4	—	5.0	900	±20	500 ~ 1000	60/60 μS

TO-18 METAL CAN PACKAGES

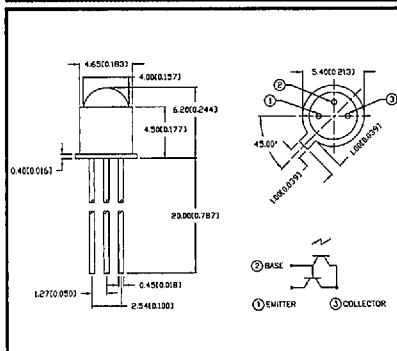
OED-PT-1MLB



Package Style	Lens	Limits of Safe Operation			I _{CEO} @ 10 V _{CEO} (nA) Max
		V _{CEO} (V) Max	PC (mW) Max	t-opr (°C)	
TO-18 Three Leads	Clear Resin	25	100	-25 ~ + 85	100

I _c (mA) @ EV ~ 1000 Lx				λ _p (nm) Typ	Δ θ deg Typ	λ (nm)	tr/ff @ V _{EC} 5V I _c 1mA
Min	Typ	Max	V _{CE} (V)				
5.0	—	—	5.0	800	±70	480 ~ 1000	65/75 μS

OED-PT-1KLB



Package Style	Lens	Limits of Safe Operation			I _{CEO} @ 10 V _{CEO} (nA) Max
		V _{CEO} (V) Max	PC (mW) Max	t-opr (°C)	
TO-18 Three Leads	Clear Resin	30	100	-30 ~ + 120	100

I _c (mA) @ EV ~ 1000 Lx				λ _p (nm) Typ	Δ θ deg Typ	λ (nm)	tr/ff @ V _{EC} 5V I _c 1mA
Min	Typ	Max	V _{CE} (V)				
5.0	—	—	5.0	800	±15	480 ~ 1000	65/75 μS