

**PLEASE CHECK WWW.MOLEX.COM FOR LATEST PART INFORMATION**

**Part Number:** [0563870000](#)  
**Status:** **Active**  
**Description:** HMC™ Rectangular Industrial Wire-to-Wire Bracket Cover, 48 and 72 Circuits, External Thread, PG36

**Documents:**

[Drawing \(PDF\)](#) [Product Specification PS-58719-006 \(PDF\)](#)  
[Product Specification PS-58719-005 \(PDF\)](#) [RoHS Certificate of Compliance \(PDF\)](#)

**General**

Product Family	I/O Connectors
Series	<a href="#">56387</a>
Application	Wire-to-Wire
Component Type	Wire-to-Wire Bracket Cover
Product Name	HMC™
Type	N/A

**Physical**

Circuits (Loaded)	N/A
Lock to Mating Part	Yes
Material - Plating Mating	n/a
Orientation	Vertical
Packaging Type	Bag
Panel Mount	N/A
Pitch - Mating Interface (in)	0.000 In
Pitch - Mating Interface (mm)	0.00 mm
Polarized to Mating Part	N/A
Temperature Range - Operating	-55°C to +125°C
Termination Interface: Style	N/A
Waterproof / Dustproof	Yes
Waterproof / Dustproof Type	IP65

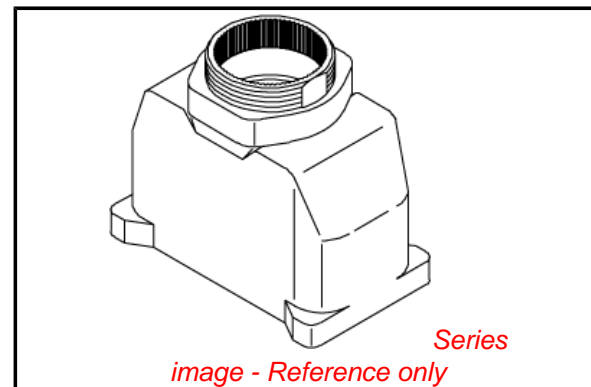
**Electrical**

Current - Maximum per Contact	N/A
-------------------------------	-----

**Material Info**

**Reference - Drawing Numbers**

Product Specification	PS-58719-005, PS-58719-006, RPS-58719-006, RPS-58719-007
Sales Drawing	SD-56387-002



**EU RoHS**

**ELV and RoHS  
Compliant**  
**REACH SVHC**  
 Not Reviewed  
**Halogen-Free  
Status**

**China RoHS**



**Not Reviewed**  
**Need more information on product  
environmental compliance?**

Email [productcompliance@molex.com](mailto:productcompliance@molex.com)  
 For a multiple part number RoHS Certificate of Compliance, [click here](#)

Please visit the [Contact Us](#) section for any non-product compliance questions.

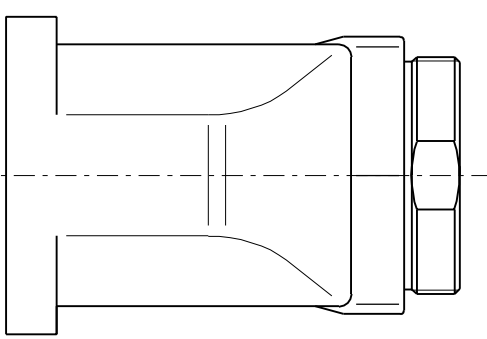
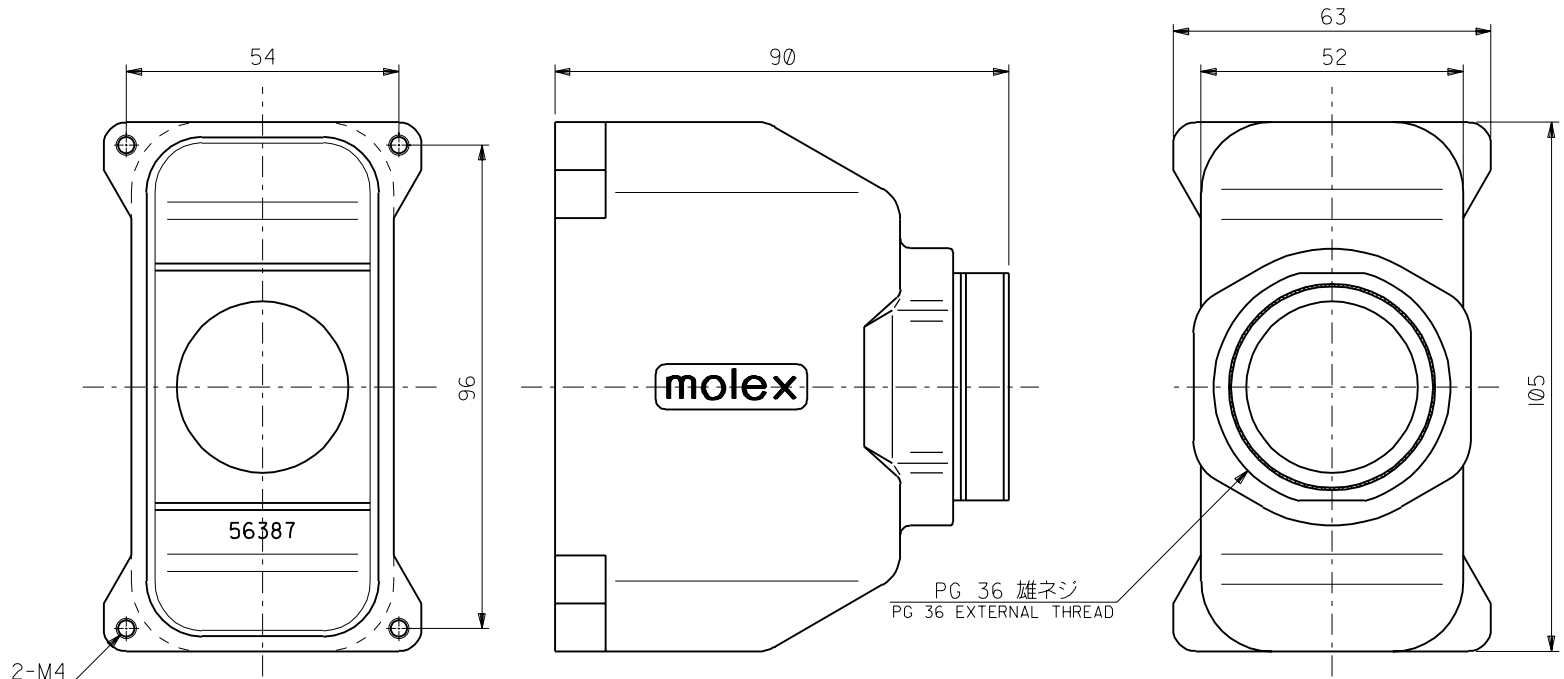
**Search Parts in this Series**

[56387Series](#)

**Use With**

[58866](#) end bell cap assembly, [58719](#) panel-mount bracket

DWG. NO. SD-56387-002



- 注)  
NOTES
- 適用リセプタクルシェルアッセンブリ : 58719-\*\*\*\*  
APPLICABLE RECEPTACLE SHELL ASS'Y : 58719-\*\*\*\*
  - 適用エンドベルキャップセット : 58866-\*\*\*\*  
APPLICABLE END BELL CAP SET : 58866-\*\*\*\*
  - 適用取り付けねじ (リセプタクルシェルアッセンブリ) : M4×10  
APPLICABLE SCREW (RECEPTACLE SHELL ASS'Y) : M4×10

56387-0000	56387-0*00
MATERIAL No.	MODEL No.

DO NOT SCALE DRAWING

EC NO. DRWN: CHK: APPR:	EC NO. DRWN: CHK: APPR:	EC NO. DRWN: CHK: APPR:	EC NO. DRWN: CHK: APPR:	EC NO. DRWN: CHK: APPR:	RELEASED '01/01/22 EC NO. JD2001-0972 DRWN: S.AKIYAMA CHK: J.MIYAZAWA APPR: H.IKESUGI	MATERIAL 材料 #	GENERAL TOLERANCES: (UNLESS SPECIFIED) 一般公差 10 UNDER 未満 #0.2 10 OVER 以上 30 UNDER 未満 #0.25 30 OVER 以上 #0.3 ANGLE 角度 #3°	SCALE 1-1 DESIGN UNITS mm INCH THIRD ANGLE PROJECTION DIMENSIONS: mm INCH mm INCH SHT REV REVISION ON CAD ONLY	DRAWN BY & DATE S. Akiyama '01/01/22 CHECKED BY & DATE J. Masawa '01/01/22 APPROVED BY & DATE H. Ikessugi '01/01/22 CAD FILE NAME 56387002.S01	TITLE: POWER CONN. 48P W TO W TYPE COVER MOLEX INCORPORATED MATERIAL NO. SEE CHART DRAWING NO. SD-56387-002 SHEET NO. 1 OF 1
					0	FINISH 仕上げ #				THIS DRAWING CONTAINS INFORMATION THAT IS PROPRIETARY TO MOLEX INCORPORATED AND SHOULD NOT BE USED WITHOUT WRITTEN PERMISSION. SIZE B