

THE INFORMATION CONTAINED HEREIN IS CONSIDERED "PROPRIETARY" TO BEL FUSE INC. AND SHALL NOT BE COPIED, REPRODUCED OR DISCLOSED WITHOUT THE WRITTEN APPROVAL OF BEL FUSE INC.

LED1 POLARITY			LED2 POLARITY		
PIN 27	PIN 28	COLOR	PIN 29	PIN 30	COLOR
-	+	GREEN	+	-	YELLOW
			-	+	GREEN

RoHS  
2002/95/EC



**ELECTRICAL CHARACTERISTICS @ 25°C**

**URNS RATIO**

TP1	1CT : 1CT ±2%
TP2	1CT : 1CT ±2%
TP3	1CT : 1CT ±2%
TP4	1CT : 1CT ±2%

**DCL @ 100kHz,100mVRMS**

8mA DC BIAS 350 uH MIN.

**INS. LOSS**

100KHz TO 100MHz -1.1 dB MAX

**RET. LOSS (MIN)**

1MHz-30MHz	-18 dB
30MHz-60MHz	-16 dB
60MHz-80MHz	-14 dB
80MHz-100MHz	-12 dB

**CM TO CM REJ**

100kHz - 100MHz -25 dB TYP

**CROSS TALK**

1MHz - 60MHz	-35 dB TYP
60MHz - 100MHz	-25 dB TYP

**HIPOT (Isolation Voltage)**

1500 Vrms

**LEAKAGE INDUCTANCE**

PRIMARY W/ SECONDARY SHORTED 0.3uH Max. @ 1MHz

**INTERWINDING CAPACITANCE**

PER CHANNEL (PRI. TO SEC.) 50pF Max @ 1MHz

**DC RESISTANCE**

(21-15)=(16-23)=(24-18)=(19-26) 1.2 ohms Max  
(RJ1-RJ2)=(RJ3-RJ6)=(RJ4-RJ5)=(RJ7-RJ8) 1.2 ohms Max

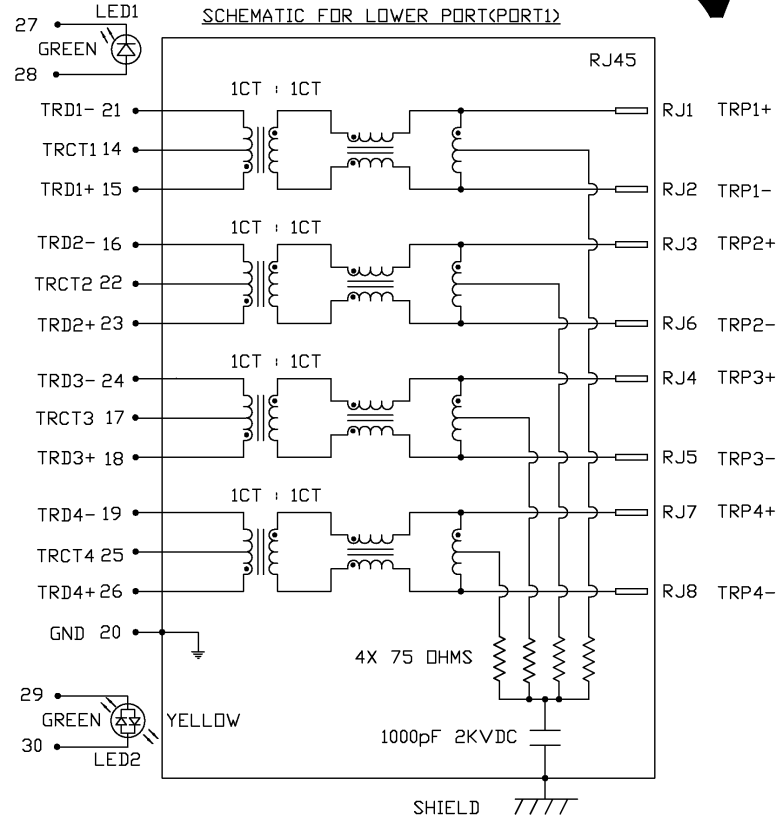
**LED 1**

VF (FORWARD VOLTAGE) IF=20mA GREEN 2.2V TYP.  
λD (DOMINANT WAVELENGTH) IF=20mA GREEN 565nm TYP.

**LED 2**

VF (FORWARD VOLTAGE) IF=20mA GREEN 2.2V TYP.  
λD (DOMINANT WAVELENGTH) IF=20mA GREEN 565nm TYP.  
IF=20mA YELLOW 2.1V TYP.  
IF=20mA YELLOW 590nm TYP.

PRELIMINARY



ORIGINATED BY	DATE	TITLE	PART NO. / DRAWING NO.	STANDARD DIM. TOL. IN INCH	[ ] METRIC DIM. AS REFERENCE
CHUNG	12-27-05	2X1 gigabit MagJack® (with LED)	0845-2S1T-E4	.X	UNIT : INCH [mm] REV. : PD
DRAWN BY	DATE		FILE NAME	.XX	SCALE : N/A SIZE : A4
DE	12-27-05		08452S1TE4PD.DWG	.XXX	PAGE : 2



THE INFORMATION CONTAINED HEREIN IS CONSIDERED "PROPRIETARY" TO BEL FUSE INC. AND SHALL NOT BE COPIED, REPRODUCED OR DISCLOSED WITHOUT THE WRITTEN APPROVAL OF BEL FUSE INC.

LED3 POLARITY			LED4 POLARITY		
PIN 31	PIN 32	COLOR	PIN 33	PIN 34	COLOR
+	-	GREEN	+	-	YELLOW
			-	+	GREEN

RoHS  
2002/95/EC



**ELECTRICAL CHARACTERISTICS @ 25°C**

**URNS RATIO**

TP1	1CT : 1CT ±2%
TP2	1CT : 1CT ±2%
TP3	1CT : 1CT ±2%
TP4	1CT : 1CT ±2%

**QCL @ 100kHz,100mVRMS**

8mA DC BIAS 350 uH MIN.

**INS. LOSS**

100KHz TO 100MHz -1.1 dB MAX

**RET. LOSS (MIN)**

1MHz-30MHz	-18 dB
30MHz-60MHz	-16 dB
60MHz-80MHz	-14 dB
80MHz-100MHz	-12 dB

**CM TO CM REJ**

100kHz - 100MHz -25 dB TYP

**CROSS TALK**

1MHz - 60MHz	-35 dB TYP
60MHz - 100MHz	-25 dB TYP

**HIPOT (Isolation Voltage)**

1500 Vrms

**LEAKAGE INDUCTANCE**

PRIMARY W/ SECONDARY SHORTED 0.3uH Max. @ 1MHz

**INTERWINDING CAPACITANCE**

PER CHANNEL (PRI. TO SEC.) 50pF Max @ 1MHz

**DC RESISTANCE**

(13-6)=(5-11)=(10-3)=(2-8)	1.2 ohms Max
(RJ1-RJ2)=(RJ3-RJ6)=(RJ4-RJ5)=(RJ7-RJ8)	1.2 ohms Max

**LED 3 (Super bright)**

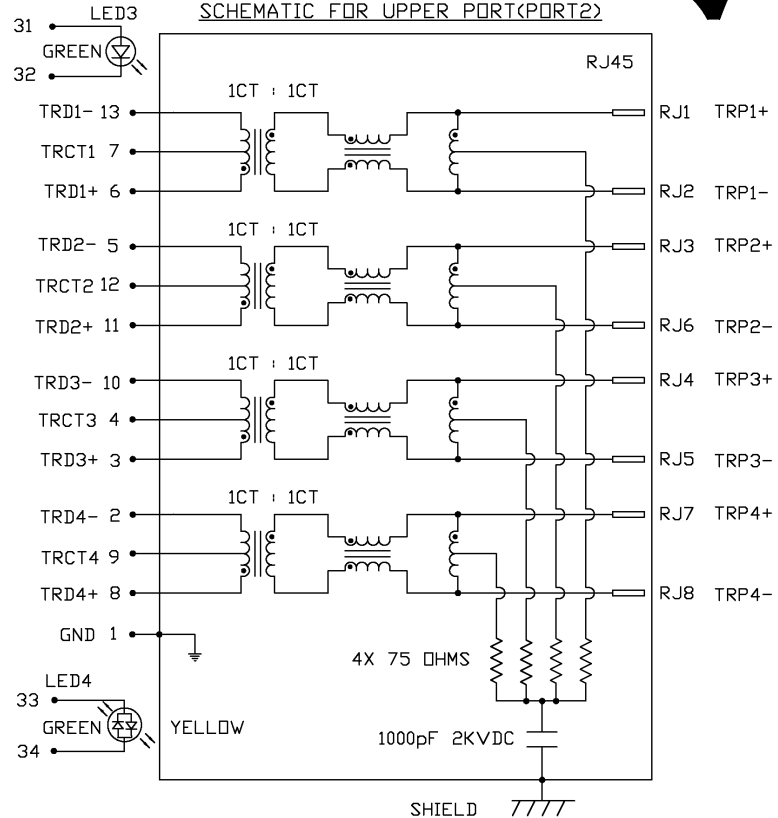
VF (FORWARD VOLTAGE)	IF=20mA	GREEN	2.2V TYP.
λD (DOMINANT WAVELENGTH)	IF=20mA	GREEN	565nm TYP.

**LED 4 (Super bright)**

VF (FORWARD VOLTAGE)	IF=20mA	GREEN	2.2V TYP.
λD (DOMINANT WAVELENGTH)	IF=20mA	GREEN	565nm TYP.
		YELLOW	2.1V TYP.
		YELLOW	590nm TYP.

PRELIMINARY

**SCHEMATIC FOR UPPER PORT(PORT2)**



ORIGINATED BY	DATE	TITLE	PART NO. / DRAWING NO.	STANDARD DIM. TOL. IN INCH	[ ] METRIC DIM. AS REFERENCE
CHUNG	12-27-05	2X1 glgabit MagJack® (with LED)	0845-2S1T-E4	.X	UNIT : INCH [mm] REV. : PD
DRAWN BY	DATE		FILE NAME	.XX	SCALE : N/A SIZE : A4
DE	12-27-05		08452S1TE4PD.DWG	.XXX	PAGE : 3

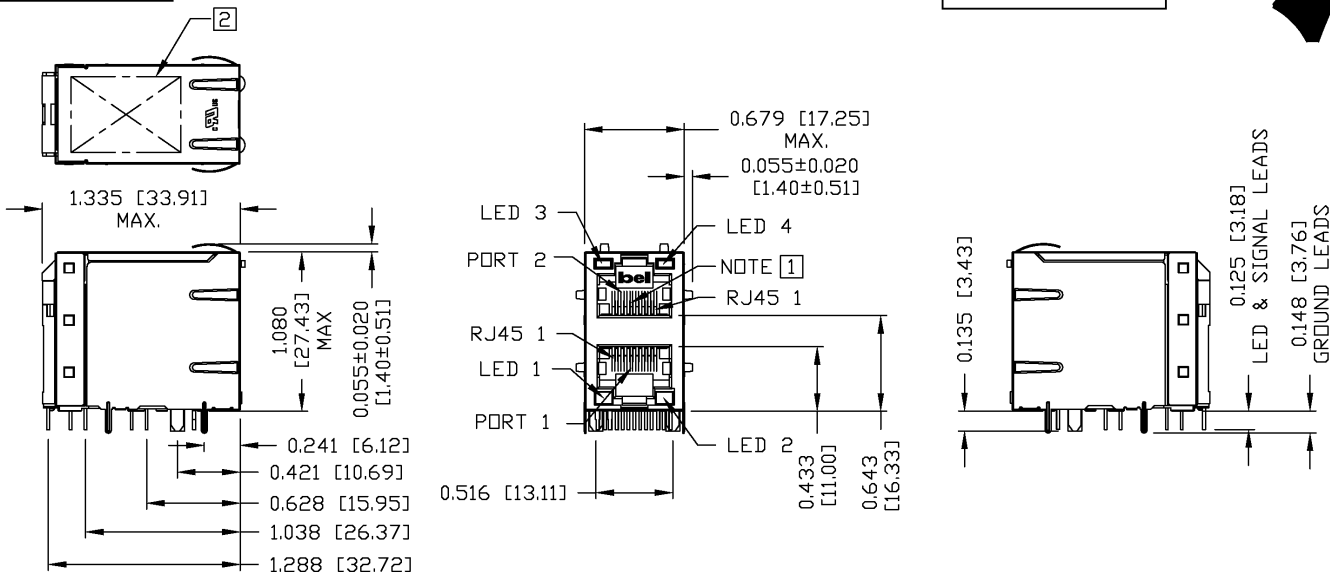


THE INFORMATION CONTAINED HEREIN IS CONSIDERED "PROPRIETARY" TO BEL FUSE INC. AND SHALL NOT BE COPIED, REPRODUCED OR DISCLOSED WITHOUT THE WRITTEN APPROVAL OF BEL FUSE INC.

RoHS  
2002/95/EC



PRELIMINARY



**NOTES:**

PLASTIC HOUSING: THERMOPLASTIC PBT  
 FLAMMABILITY RATING UL 94V-0  
 CONTACT PLATING: 50 MICRO-INCH HARD GOLD PLATING  
 OUTPUT PINS: TIN-COATED COPPER WIRE, DIA 0.018 INCH.  
 METAL SHIELD: NICKEL PLATED COPPER ALLOY.  
 (ALL GROUND LEADS ARE SOLDER DIPPED)  
 RoHS COMPLIANCE, PER EU DIRECTIVE 2002/95/EC.

1. JACK CAVITY CONFORMS TO FCC RULES AND REGULATIONS, PART 68 SUBPART F.

2. MARK PART WITH MFG LOGO, MFG NAME, PART NUMBER, AND DATE CODE.

UL RECOGNIZED - FILE #E196366 AND E169987.

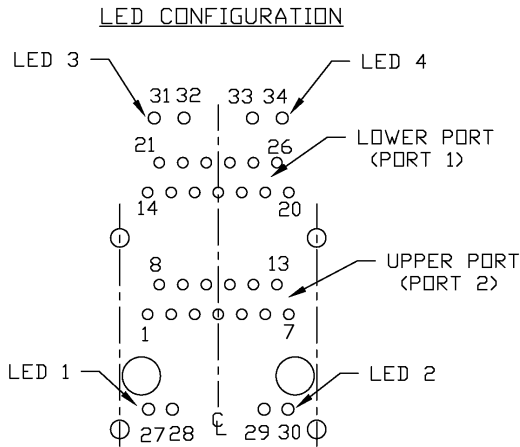
ORIGINATED BY BILL	DATE 12-27-05	TITLE 2X1 gigabit MagJack® (with LED)	PART NO. / DRAWING NO. 0845-2S1T-E4	STANDARD DIM.		[ ] METRIC DIM. AS REFERENCE		
				TOL. IN INCH		UNIT : INCH [mm]	REV. : PD	
DRAWN BY QIN	DATE 12-27-05		FILE NAME 08452SITE4PD.DWG	.X	±0.010	SCALE : N/A	SIZE : A4	COMPONENTS ARE A CONNECTED PLANT
				.XX		SCALE : N/A	SIZE : A4	
				.XXX	±0.010		PAGE : 4	

THE INFORMATION CONTAINED HEREIN IS CONSIDERED "PROPRIETARY" TO BEL FUSE INC. AND SHALL NOT BE COPIED, REPRODUCED OR DISCLOSED WITHOUT THE WRITTEN APPROVAL OF BEL FUSE INC.

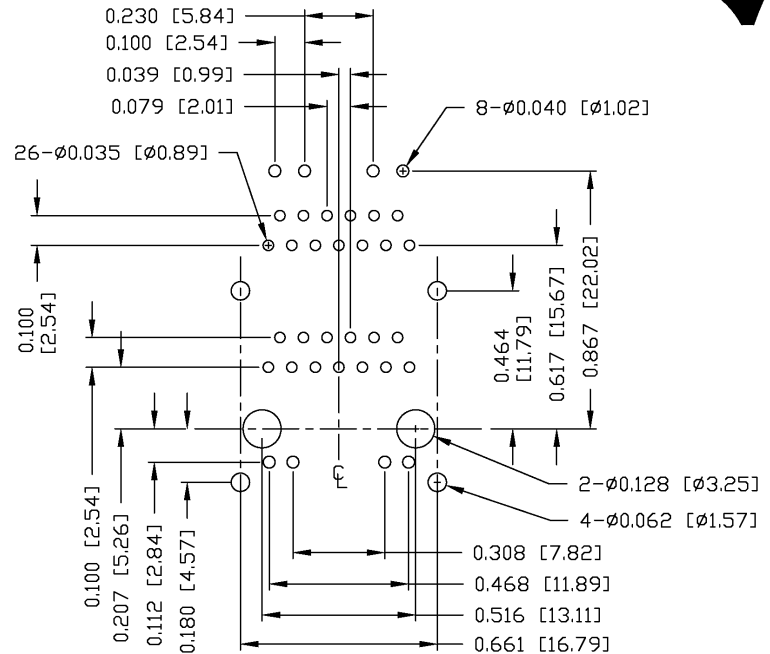
RoHS  
2002/95/EC



PRELIMINARY



**PIN-OUT INFORMATION**  
(COMPONENT SIDE VIEW)  
(SCALE 2:1)



**SUGGESTED FOOTPRINT**  
(COMPONENT SIDE VIEW)  
(SCALE 2:1)

ORIGINATED BY	DATE	TITLE	PART NO. / DRAWING NO.	STANDARD DIM. TOL. IN INCH	[ ] METRIC DIM. AS REFERENCE
BILL	12-27-05	2X1 gigabit MagJack® (with LED)	0845-2S1T-E4	.X	UNIT : INCH [mm]
DRAWN BY	DATE		FILE NAME	.XX	SCALE : N/A
QIN	12-27-05		08452S1TE4PD.DWG	.XXX	±0.004
					REV. : PD
					SIZE : A4
					PAGE : 5

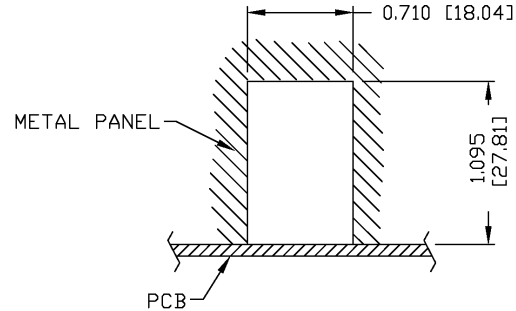
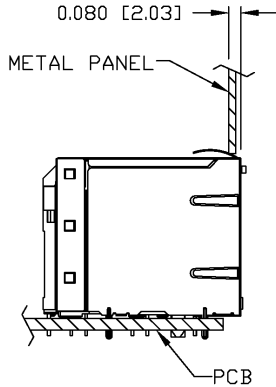


THE INFORMATION CONTAINED HEREIN IS CONSIDERED "PROPRIETARY" TO BEL FUSE INC. AND SHALL NOT BE COPIED, REPRODUCED OR DISCLOSED WITHOUT THE WRITTEN APPROVAL OF BEL FUSE INC.

PRELIMINARY



SUGGESTED PANEL OPENING



NOTE:

THE DISTANCE OF PANEL INSIDE SURFACE RELATIVE TO FRONT SURFACE OF PART IS ONLY A SUGGESTION. IN CASE THIS DISTANCE IS DIFFERENT, THE REQUIRED PANEL OPENING DIMENSIONS CHANGE ACCORDINGLY.

PACKING INFORMATION

PACKING TRAY: 0200-9999-H5 (TOP)  
0200-9999-H6 (BOTTOM)

PACKING QUANTITY: 40 PCS FINISHED GOODS PER TRAY  
6 TRAYS (240 PCS FINISHED GOODS) PER CARTON BOX.

NOTE: CARDBOARD ARE PLACED BETWEEN LAYERS OF PACKING TRAY INSIDE CARTON BOX.  
(INCLUDE THE UPPERMOST AND LOWEREST TRAY)

ORIGINATED BY	DATE	TITLE	PART NO. / DRAWING NO.	STANDARD DIM. TOL. IN INCH	[ ] METRIC DIM. AS REFERENCE
BILL	12-27-05	2X1 gigabit MagJack® (with LED)	0845-2S1T-E4	.X	UNIT : INCH [mm] REV. : PD
DRAWN BY	DATE		FILE NAME	.XX	SCALE : N/A SIZE : A4
QIN	12-27-05		08452SITE4PD.DWG	.XXX ±0.004	PAGE : 6

