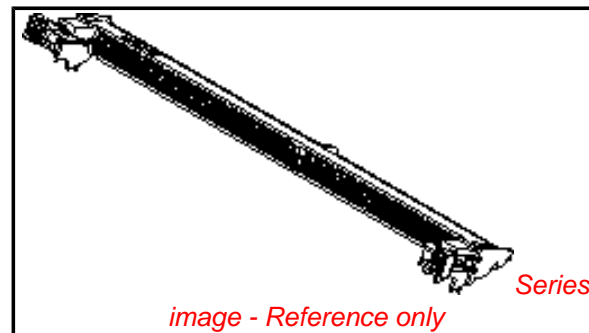


PLEASE CHECK WWW.MOLEX.COM FOR LATEST PART INFORMATION

Part Number: **0879170052**
Status: **Active**
Description: 1.00mm (.039") Pitch Fully Buffered DIMM Socket, 28.5° Angle, Through Hole, 240 Circuits, with Beveled Metal Pins, with Off-White Latches, 0.76µm (30µ") Gold (Au) Selective Plating, 2.79mm (.110") Solder Tail Length, Lead-free

Documents:

[3D Model](#) [Product Specification PS-87917-001 \(PDF\)](#)
[Drawing \(PDF\)](#) [RoHS Certificate of Compliance \(PDF\)](#)



General

Product Family	Memory Module Sockets
Series	87917
Comments	Latches in Off-White ColorSolder Tail Length at 2.79mm (.110")
Component Type	Memory Module
JEDEC Outline	MO-256
Product Name	FB DIMM

Physical

Circuits (Loaded)	240
Color - Resin	Black, Natural
Durability (mating cycles max)	25
Entry Angle	28.5° Angle
Keying to Mating Part	Yes
Material - Metal	Phosphor Bronze
Material - Plating Mating	Gold
Material - Plating Termination	Tin
Material - Resin	High Temperature Thermoplastic
PC Tail Length (in)	0.110 In
PC Tail Length (mm)	2.79 mm
PCB Locator	Yes
PCB Retention	Yes
PCB Thickness Recommended (in)	0.062 In
PCB Thickness Recommended (mm)	1.60 mm
Packaging Type	Tray
Pitch - Mating Interface (in)	0.039 In
Pitch - Mating Interface (mm)	1.00 mm
Plating min: Mating (µin)	30
Plating min: Mating (µm)	0.76
Plating min: Termination (µin)	100
Plating min: Termination (µm)	2.54
Temperature Range - Operating	-55°C to +85°C
Termination Interface: Style	Through Hole

Electrical

Current - Maximum per Contact	1A
Voltage - Maximum	30V
Voltage Key	1.8V

Solder Process Data

Duration at Max. Process Temperature (seconds)	10
Lead-free Process Capability	SMC & Wave Capable (TH only)
Max. Cycles at Max. Process Temperature	2
Process Temperature max. C	260

Material Info

EU RoHS **China RoHS**

ELV and RoHS Compliant
REACH SVHC Contains SVHC: No
Halogen-Free Status
Not Halogen-Free



Need more information on product environmental compliance?

Email productcompliance@molex.com
 For a multiple part number RoHS Certificate of Compliance, [click here](#)

Please visit the [Contact Us](#) section for any non-product compliance questions.

Search Parts in this Series

87917Series

Mates With

JEDEC MO-256 modules

Reference - Drawing Numbers

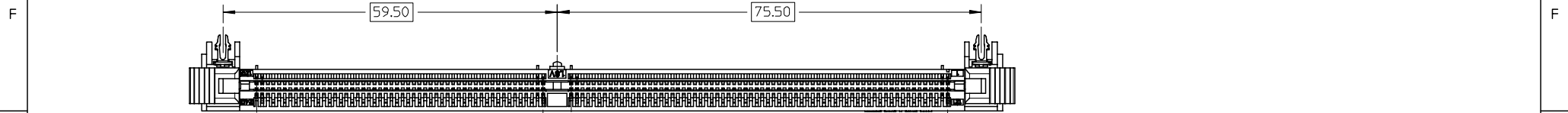
Product Specification
Sales Drawing

PS-87917-001, RPS-87917-001
SD-87917-001

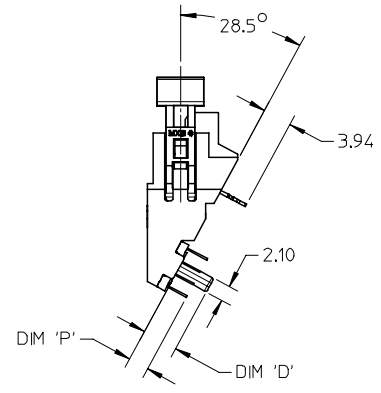
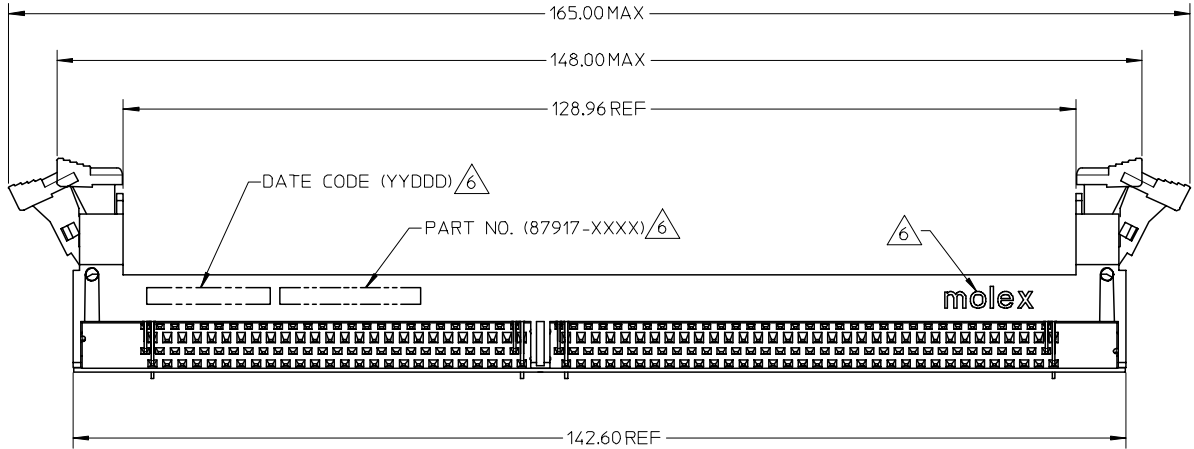
This document was generated on 04/13/2010

PLEASE CHECK WWW.MOLEX.COM FOR LATEST PART INFORMATION

10 9 8 7 6 5 4 3 2 1



E



D

C

NOTES :

- MATERIAL : HOUSING AND BASEPLATE.
 - LCP, GLASS FILLED, UL94-V0, BLACK LATCH.
 - NYLON, GLASS FILLED, UL94-V0, NATURAL (OFF WHITE).
 TERMINALS & FORKLATCH - COPPER ALLOY.

2. PLATING : CONTACT AREA - SEE TABLE ON SHEET 5.
 SOLDERTAIL - SEE TABLE ON SHEET 5.

3. CARD SLOT ACCEPTS 1.27±0.10MM MODULE THICKNESS (MEASURED OVER PC PADS).

4. REFER TO PRODUCT SPECIFICATION, PS-87917-001 FOR PERFORMANCE SPECIFICATION.

5. PRODUCT SHALL BE PACKED IN TRAY.

6. MOLEX LOGO, DATE & PART NO. INDICATED ON HOUSING.

7. KEEP OUT ZONE IS THE AREA WHERE THE CONNECTOR (INCLUDE LATCH) IS MOUNTED ON THE PCB.

B

A

ADDED HSG. CORING EC NO: S2007-0413 2006/11/08 DRWN:BLIM CHKD:SHLEN 2006/11/09 APPR:GGLLEE 2006/11/10	QUALITY SYMBOLS ▽=0 ▽C=0	GENERAL TOLERANCES (UNLESS SPECIFIED)	DIMENSION STYLE MM ONLY	SCALE NTS	DESIGN UNITS METRIC	THIRD ANGLE PROJECTION
		4 PLACES ± --- ± --- 3 PLACES ± --- ± --- 2 PLACES ± 0.2 ± --- 1 PLACE ± 0.5 ± --- ANGULAR ± 1 °	DRAWN BY JTAN DATE 2005/12/23	TITLE FB DIMM, 1.00MM PITCH 240 CKTS, 28.5 DEG	MOLEX INCORPORATED	
B3	REV	DRAFT WHERE APPLICABLE MUST REMAIN WITHIN DIMENSIONS	SEE TABLE	APPROVED BY GGLLEE DATE 2006/02/06	DOCUMENT NO. SD-87917-001	SHEET NO. 1 OF 6

9 8 7 6 5 4 3 2 1

10 9 8 7 6 5 4 3 2 1

F

F

E

E

D

D

C

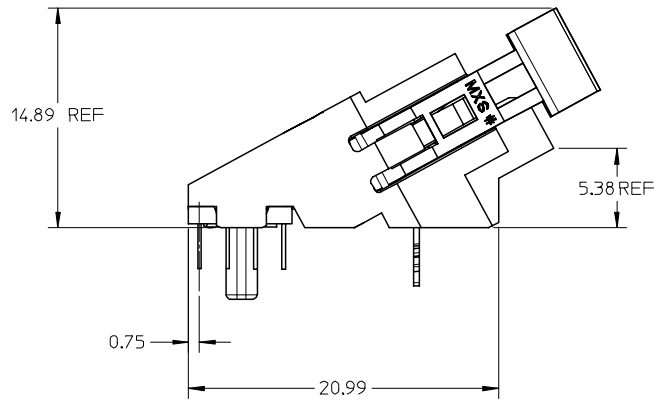
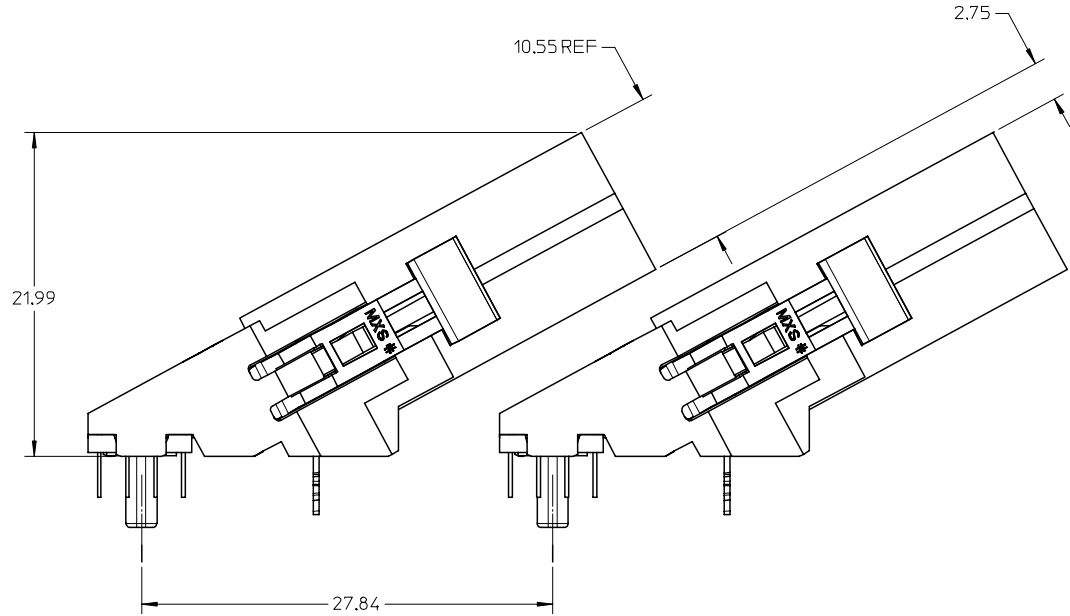
C

B

B

A

A



ADDED HSG. CORING
 EC NO: S2007-0413 2006/11/08
 DRWN:BLIM 2006/11/09
 CHKD:SHLENI 2006/11/09
 APPR:GGLLEE 2006/11/10

QUALITY SYMBOLS
 ▽=0
 ∇=0

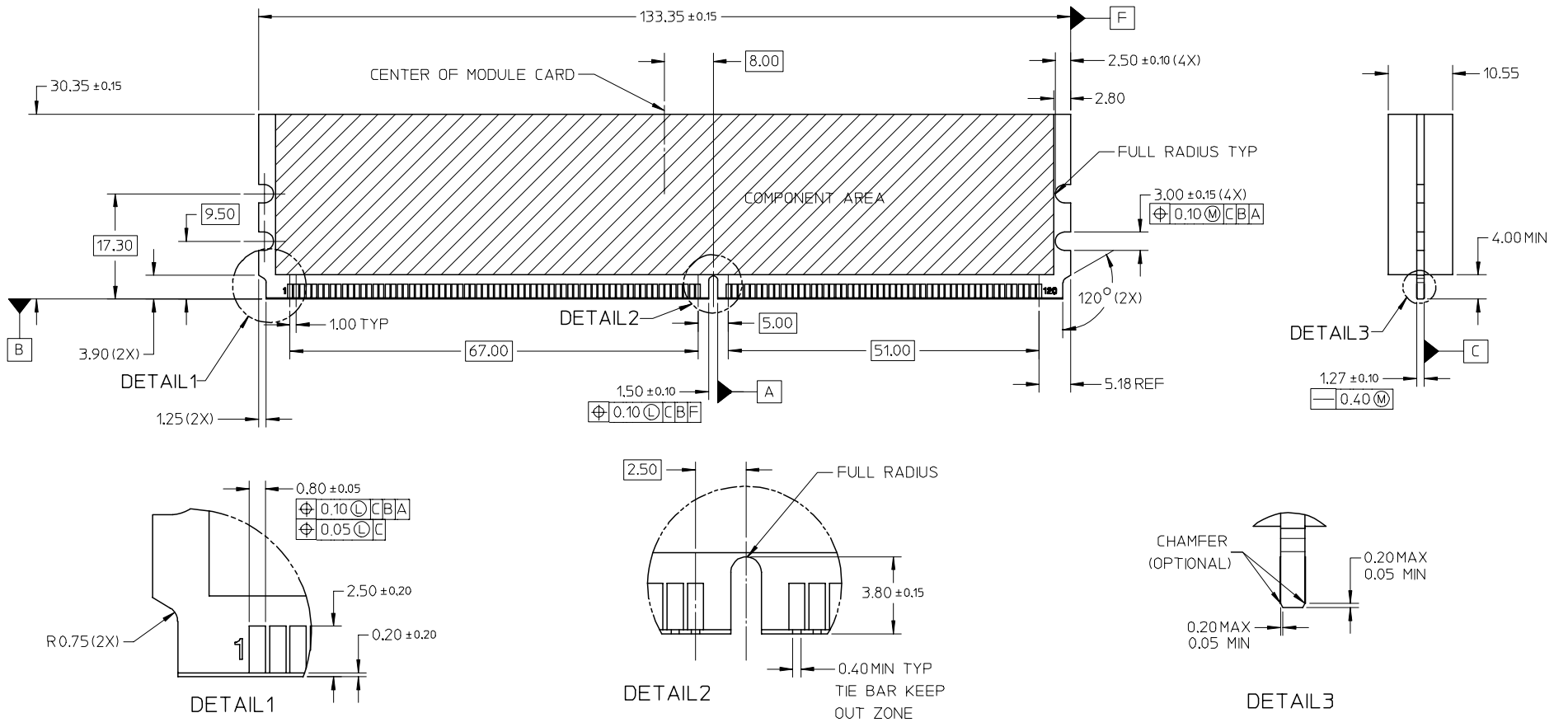
GENERAL TOLERANCES (UNLESS SPECIFIED)	
	mm
4 PLACES	± 0.2
3 PLACES	± 0.3
2 PLACES	± 0.4
1 PLACE	± 0.5
ANGULAR ± 1 °	

DIMENSION STYLE	
MM ONLY	
DRAWN BY	DATE
JTAN	2005/12/23
CHECKED BY	DATE
SRRAMESH	2006/02/03
APPROVED BY	DATE
GGLLEE	2006/02/06
MATERIAL NO.	
SEE TABLE	

SCALE	DESIGN UNITS	THIRD ANGLE PROJECTION
NTS	METRIC	⊙ □
TITLE		
FB DIMM, 1.00MM PITCH		
240 CKTS, 28.5 DEG		
MOLEX INCORPORATED		
DOCUMENT NO.	SHEET NO.	
SD-87917-001	2 OF 6	

9 8 7 6 5 4 3 2 1

MODULE CARD
 FB DIMM,DUAL IN-LINE MEMORY MODULE FAMILY 1.00MM CONTACT CENTERS
 (PER JEDEC MO-256,DATE : 10/15)



- NOTES:
1. LEADING EDGE OF CONTACT PADS SPECIFIED BY THE KEEPOUT ZONE SHALL BE FREE OF BURRS AND EXTERNAL TIEBARS. FOR OPTIMUM PERFORMANCE, THE TIE IS TO BE ON AN INTERNAL LAYER SO THAT THE REMNANT CANNOT CAUSE CONTACT DAMAGE.
 2. THE CHAMFER IS A FABRICATION OPTION AND IS NOT REQUIRED.
 3. THE CHAMFER IS NOT TO HIT THE GOLD CONTACTS.

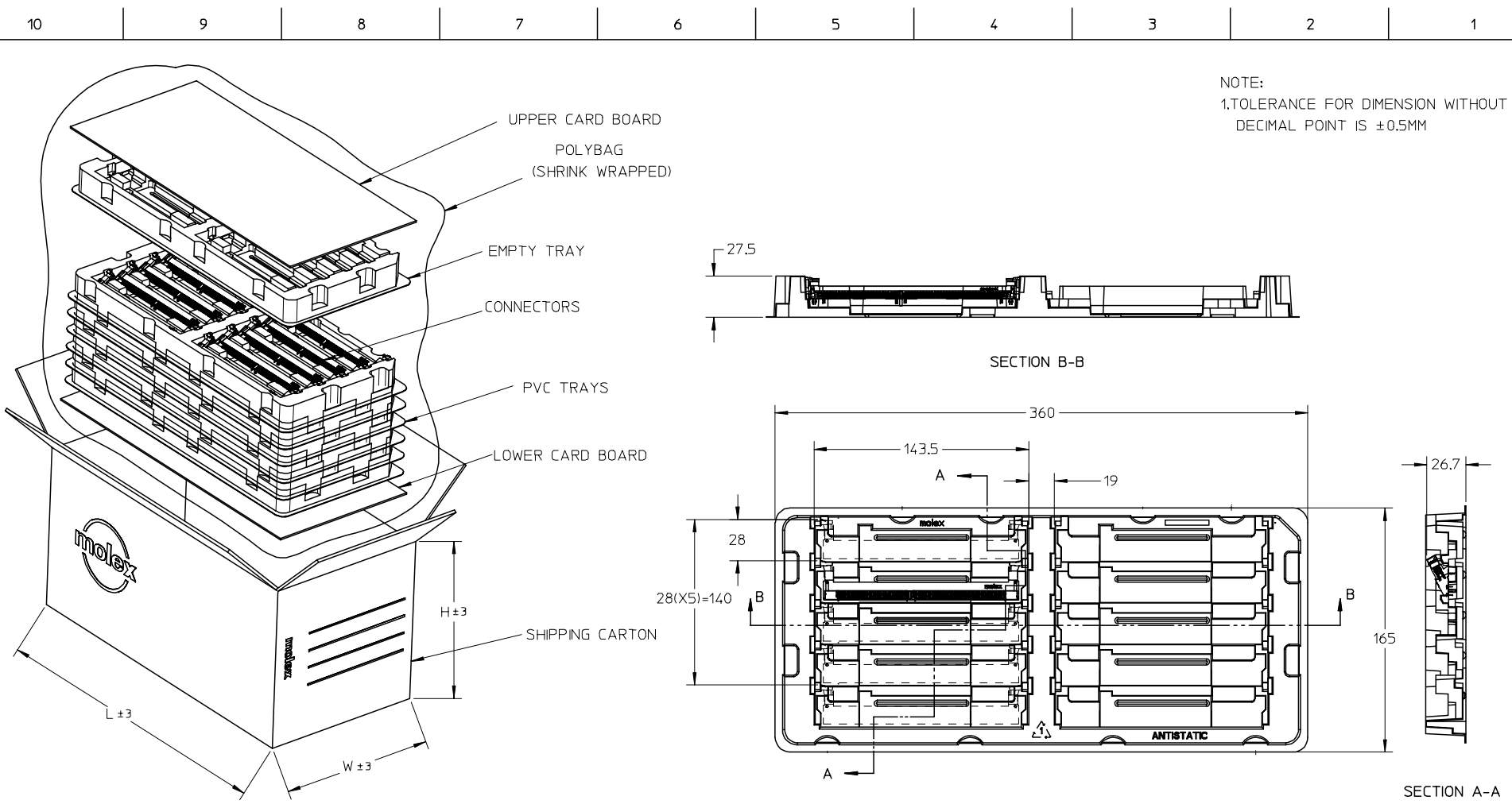
ADDED HSG. CORING EC NO: S2007-0413 DRWN:BLIM 2006/11/08 CHKD:SHLENI 2006/11/09 APPR:GGLLEE 2006/11/10	QUALITY SYMBOLS ▽=0 ▽=0	GENERAL TOLERANCES (UNLESS SPECIFIED)		DIMENSION STYLE	SCALE	DESIGN UNITS	THIRD ANGLE PROJECTION			
				MM ONLY	NTS	METRIC				
				mm	INCH					
				DRAFT WHERE APPLICABLE MUST REMAIN WITHIN DIMENSIONS		SEE TABLE				
				DRAWN BY	DATE	TITLE				
				JTAN	2005/12/23	FB DIMM, 1.00MM PITCH 240 CKTS, 28.5 DEG				
				CHECKED BY	DATE					
				SRRAMESH	2006/02/03					
				APPROVED BY	DATE					
				GGLLEE	2006/02/06	MOLEX INCORPORATED				
				MATERIAL NO.	DOCUMENT NO.	SHEET NO.				
					SD-87917-001	3 OF 6				
				THIS DRAWING CONTAINS INFORMATION THAT IS PROPRIETARY TO MOLEX INCORPORATED AND SHOULD NOT BE USED WITHOUT WRITTEN PERMISSION						

10 9 8 7 6 5 4 3 2 1

PART NO.	VOLTAGE KEY	DIM 'P'	DIM 'D'	RECOMMENDED PCB THICKNESS	CONTACT AREA PLATING	SOLDERTAIL PLATING
87917-0001	CENTER (1.8V)	2.79	3.18	1.57	0.38uM/15uIN GOLD OVER 1.27uM/50uIN MIN NICKEL	2.54uM/100uIN MIN TIN OVER 1.27uM/50uIN MIN NICKEL
87917-0052					0.76uM/30uIN GOLD OVER 1.27uM/50uIN MIN NICKEL	
87917-0011		3.18	4.83	2.36	0.76uM/30uIN GOLD OVER 1.27uM/50uIN MIN NICKEL	
87917-0012					0.38uM/15uIN GOLD OVER 1.27uM/50uIN MIN NICKEL	

ADDED HSG. CORING EC NO: S2007-0413 DRWN:BLIM CHKD:SHLENI APPR:GGLLEE	2006/11/08	2006/11/09	2006/11/10	QUALITY SYMBOLS ▽=0 ◻=0	GENERAL TOLERANCES (UNLESS SPECIFIED) <table border="1"> <thead> <tr> <th></th> <th>mm</th> <th>INCH</th> </tr> </thead> <tbody> <tr> <td>4 PLACES</td> <td>± .005</td> <td>± .0002</td> </tr> <tr> <td>3 PLACES</td> <td>± .005</td> <td>± .0002</td> </tr> <tr> <td>2 PLACES</td> <td>± 0.2</td> <td>± .008</td> </tr> <tr> <td>1 PLACE</td> <td>± 0.5</td> <td>± .020</td> </tr> </tbody> </table> ANGULAR ± 1 °		mm	INCH	4 PLACES	± .005	± .0002	3 PLACES	± .005	± .0002	2 PLACES	± 0.2	± .008	1 PLACE	± 0.5	± .020	DIMENSION STYLE MM ONLY	SCALE NTS	DESIGN UNITS METRIC	THIRD ANGLE PROJECTION
		mm	INCH																					
	4 PLACES	± .005	± .0002																					
	3 PLACES	± .005	± .0002																					
2 PLACES	± 0.2	± .008																						
1 PLACE	± 0.5	± .020																						
REV	DESCRIPTION	DRAWN BY JTAN		DATE 2005/12/23	TITLE FB DIMM, 1.00MM PITCH 240 CKTS, 28.5 DEG																			
		CHECKED BY SRRAMESH		DATE 2006/02/03	MOLEX INCORPORATED																			
B3		APPROVED BY GGLEE		DATE 2006/02/06	MATERIAL NO. SEE TABLE		DOCUMENT NO. SD-87917-001	SHEET NO. 5 OF 6																

9 8 7 6 5 4 3 2 1



NOTE:
1.TOLERANCE FOR DIMENSION WITHOUT DECIMAL POINT IS ±0.5MM

PACKAGING

TRAY

CARTON DIMENSIONS (MAX)	PARTS PER TRAY	TRAYS PER CARTON (EXC. EMPTY TRAY)	TOTAL PARTS PER CARTON	GROSS WEIGHT (KG)
L = 371 W = 184 H = 192	10	6	60	1.5

ADDED HSG. CORING EC NO: S2007-0413 DRWN:BLIM CHKD:SHLENI APPR:GGLLEE	2006/11/08 2006/11/09 2006/11/10	DESCRIPTION REV
B3		

QUALITY SYMBOLS	GENERAL TOLERANCES (UNLESS SPECIFIED)	
	mm	INCH
▽=0	4 PLACES ± ---	± ---
▽=0	3 PLACES ± ---	± ---
	2 PLACES ± 0.2	± ---
	1 PLACE ± 0.5	± ---
	ANGULAR ± 1 °	
	DRAFT WHERE APPLICABLE MUST REMAIN WITHIN DIMENSIONS	

DIMENSION STYLE		SCALE	DESIGN UNITS	THIRD ANGLE PROJECTION
MM ONLY		NTS	METRIC	
DRAWN BY	DATE	TITLE		
JTAN	2005/12/23	FB DIMM, 1.00MM PITCH		
CHECKED BY	DATE	240 CKTS, 28.5 DEG		
SRRAMESH	2006/02/03			
APPROVED BY	DATE			
GGLLEE	2006/02/06			
MATERIAL NO.	DOCUMENT NO.	SHEET NO.		
	SD-87917-001	6 OF 6		

SEE TABLE	SD-87917-001	6 OF 6
THIS DRAWING CONTAINS INFORMATION THAT IS PROPRIETARY TO MOLEX INCORPORATED AND SHOULD NOT BE USED WITHOUT WRITTEN PERMISSION		