

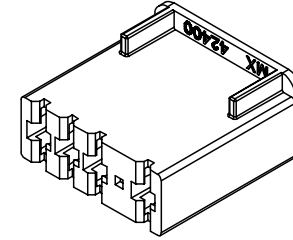
13 12 11 10 9 8 7 6 5 4 3 2 1

J  
I  
H  
G  
F  
E  
D  
C  
B  
A

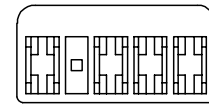
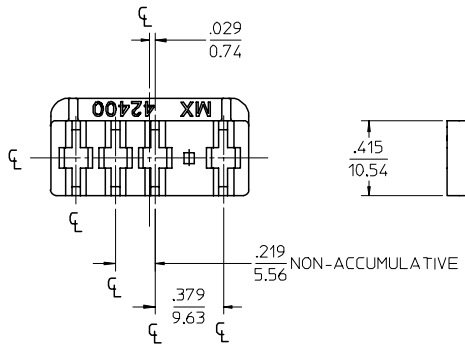
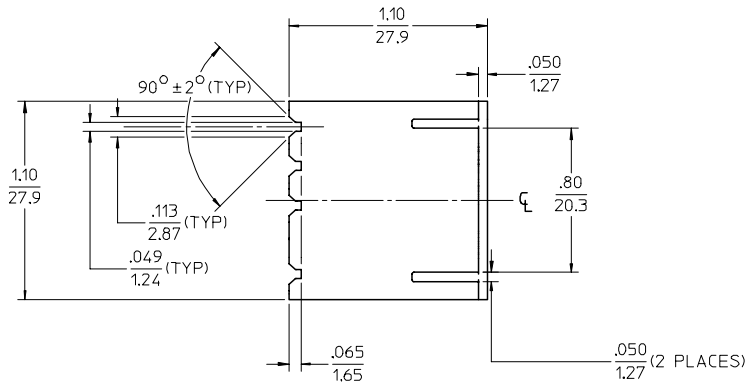
J  
I  
H  
G  
F  
E  
D  
C  
B  
A

NOTES:

1. MATERIAL: SEE CHART ON SHEET 3
2. FINISH: NONE
3. PRODUCT SPECIFICATION: NONE
4. HOUSING MATES TO .032±.0005/0.81±0.013 THICK BY .250/6.35 WIDE BY .31/7.9 LONG SPADE TERMINALS. MAXIMUM LENGTH OF SPADE TERMINALS TO BE .450/11.43.
5. USE TERMINALS: ENG. NO. 41422-3\* & -5\*.
6. PARTS CONFORM TO CLASS 'B' REQUIREMENTS OF COSMETIC SPECIFICATION PS-45499-002.



42400-000\*



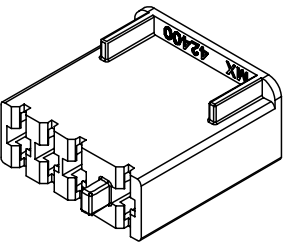
<b>ANGLE TOLERANCE</b> FCC NO: UCP2008-1155 2007/11/20 DRW: NLSCHM/DT 2007/11/20 CHKD: ADERR 2007/11/20 APPR: FSM/TH 2007/11/20 REV DESCRIPTION	QUALITY SYMBOLS ▽=0 ▽=0	GENERAL TOLERANCES (UNLESS SPECIFIED) mm INCH 4 PLACES ± --- ± --- 3 PLACES ± --- ± .010 2 PLACES ± 0.25 ± .014 1 PLACE ± 0.35 ± --- ANGULAR ± 1 °	DIMENSION STYLE IN/MM DRAWN BY DATE MAB 1995/06/09 CHECKED BY DATE KBP 1995/06/09 APPROVED BY DATE RAS 1995/06/09	SCALE 2:1 DESIGN UNITS INCH THIRD ANGLE PROJECTION	TITLE 4 CIRCUIT CONNECTOR HOUSING	
	DRAFT WHERE APPLICABLE MUST REMAIN WITHIN DIMENSIONS		MATERIAL NO. SEE CHART SIZE C	MOLEX INCORPORATED DOCUMENT NO. SD-42400-*00*	SHEET NO. 1 OF 3	
	THIS DRAWING CONTAINS INFORMATION THAT IS PROPRIETARY TO MOLEX INCORPORATED AND SHOULD NOT BE USED WITHOUT WRITTEN PERMISSION					
	Molex logo and company name					

12 11 10 9 8 7 6 5 4 3 2 1

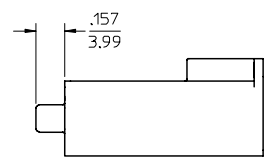
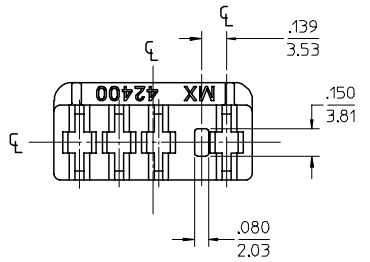
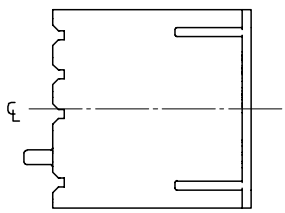
13 12 11 10 9 8 7 6 5 4 3 2 1

J  
I  
H  
G  
F  
E  
D  
C  
B  
A

J  
I  
H  
G  
F  
E  
D  
C  
B  
A



42400-100\*

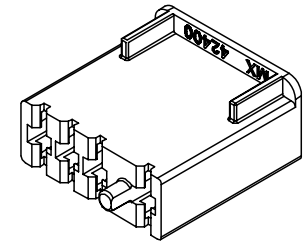
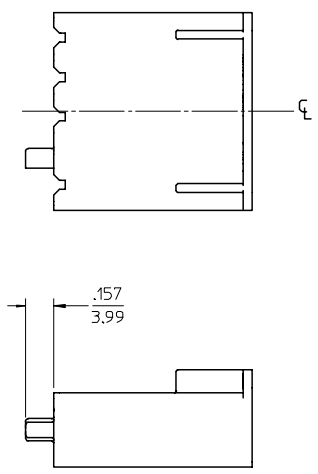
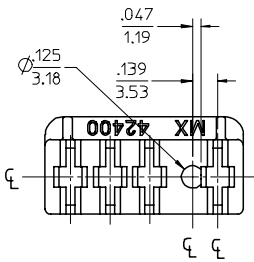


42400-100\*  
SEE SHEET 1 FOR DIMENSIONS NOT SHOWN

SEE SHEET 1 FC NO: UCP2008-1155 DRAWN: LSCHMIDT 2007/11/20 CHKD: ADERR 2007/11/20 APPR: FSM TH 2007/11/20 REV:	QUALITY SYMBOLS ▽=0 ▽=0	GENERAL TOLERANCES (UNLESS SPECIFIED)		DIMENSION STYLE IN/MM		SCALE 2:1	DESIGN UNITS INCH	THIRD ANGLE PROJECTION			
		4 PLACES ± --- ± ---	3 PLACES ± --- ± .010	DRAWN BY MAB	DATE 1995/06/09	TITLE 4 CIRCUIT CONNECTOR HOUSING					
		2 PLACES ± 0.25 ± .014	1 PLACE ± 0.35 ± ---	CHECKED BY KBP	DATE 1995/06/09	APPROVED BY RAS					
		ANGULAR ± 1 °		MATERIAL NO. SEE CHART		DOCUMENT NO. SD-42400-*00*		SHEET NO. 2 OF 3			
DRAFT WHERE APPLICABLE MUST REMAIN WITHIN DIMENSIONS				THIS DRAWING CONTAINS INFORMATION THAT IS PROPRIETARY TO MOLEX INCORPORATED AND SHOULD NOT BE USED WITHOUT WRITTEN PERMISSION							

12 11 10 9 8 7 6 5 4 3 2 1

ENG. NUMBER	E.D.P. NUMBER	NUMBER CIRCUITS	MATERIAL	COLOR	COMMENTS
42400-0001	06-02-3042	4	UL94 V-2 NYLON	NATURAL	NO PEG (SHT.1)
42400-0003	42400-0003	4	UL94 V-0 NYLON	WHITE	NO PEG (SHT.1)
42400-0004	42400-0004	4	UL94 V-0 NYLON	BLACK	NO PEG (SHT.1)
42400-1003	42400-1003	4	UL94 V-0 NYLON	WHITE	SQUARE PEG (SHT.2)
42400-1004	42400-1004	4	UL94 V-0 NYLON	BLACK	SQUARE PEG (SHT.2)
42400-2001	42400-2001	4	UL94 V-2 NYLON	NATURAL	ROUND PEG (SHT.3)
42400-2003	42400-2003	4	UL94 V-0 NYLON	WHITE	ROUND PEG (SHT.3)
42400-2004	42400-2004	4	UL94 V-0 NYLON	BLACK	ROUND PEG (SHT.3)



42400-200\*

42400-200\*

SEE SHEET 1 FOR DIMENSIONS NOT SHOWN

SEE SHEET 1 FCC NO: UCP2008-1155 DRW: NLSCHMIDT CHKD: ADERR APPR: FSM TH REV:	QUALITY SYMBOLS ▽=0 ▽=0	GENERAL TOLERANCES (UNLESS SPECIFIED)		DIMENSION STYLE IN/MM		SCALE 2:1	DESIGN UNITS INCH	THIRD ANGLE PROJECTION					
		4 PLACES ± .010 ± .010	3 PLACES ± .010 ± .010	2 PLACES ± 0.25 ± .014	1 PLACE ± 0.35 ± .014	ANGULAR ± 1 °	DRAWN BY MAB	DATE 1995/06/09	CHECKED BY KBP	DATE 1995/06/09	APPROVED BY RAS	DATE 1995/06/09	TITLE 4 CIRCUIT CONNECTOR HOUSING
		DRAFT WHERE APPLICABLE MUST REMAIN WITHIN DIMENSIONS		SEE CHART		MATERIAL NO.		DOCUMENT NO.		SHEET NO.			
						MOLEX INCORPORATED		SD-42400-*00*		3 OF 3			