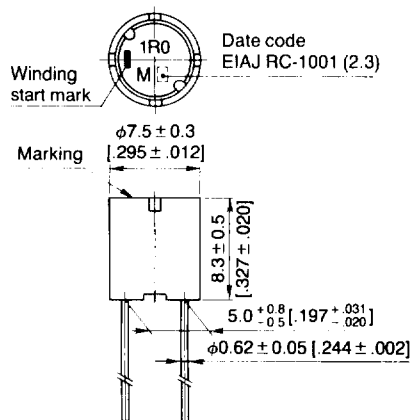


Inductors

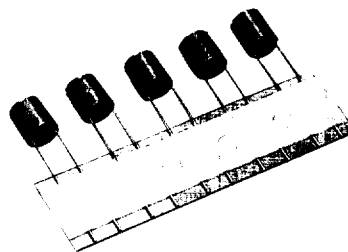
RADIAL LEAD TYPE FOR LARGE CURRENT, NSL SERIES CHARACTERISTICS

| | |
|---------------------------------|---|
| Operating temperature range | - 20 to +85°C [- 4 to +185°F] (including self-temperature rise, 25°C [45°F] max.) |
| Storage temperature range | - 40 to +85°C [- 40 to +185°F] |
| Dielectric withstanding voltage | 500Vdc (between case and lead wire) |
| Rated current | Value obtained based on inductance change rate (10% drop in initial value) or temperature rise whichever is smaller. |
| Terminal tensile strength | 1 kg min. |

NSL0708 TYPE



Weight: 1g
Dimensions in mm [inches]

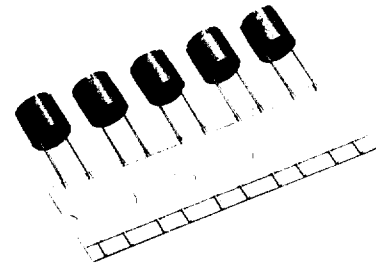
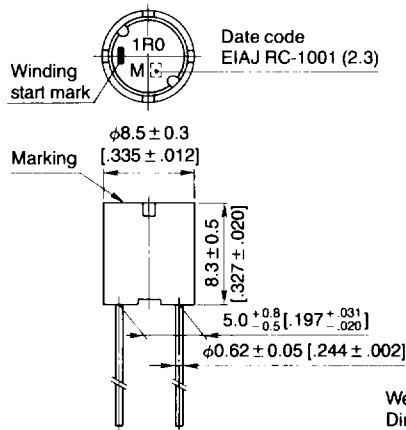


ELECTRICAL CHARACTERISTICS

| Part No. | Inductance (μ H) | Q min. | Test frequency L/Q (Hz) | Self-resonant frequency (MHz) min. | DC resistance (Ω) max. | Rated current (A) max. | |
|-------------------|--------------------------|-----------|----------------------------|--|------------------------------------|---------------------------------------|---------------------------------|
| | | | | | | Based on inductance change rate | Based on temperature rise |
| NSL0708RA-1R0M4R4 | 1 ± 20% | 10 | 1k/7.96M | 90 | 0.01 | 6.8 | 4.4 |
| NSL0708RA-1R5M4R2 | 1.5 ± 20% | 10 | 1k/7.96M | 66 | 0.012 | 5.6 | 4.2 |
| NSL0708RA-2R2M3R7 | 2.2 ± 20% | 10 | 1k/7.96M | 50 | 0.015 | 4.6 | 3.7 |
| NSL0708RA-3R3M3R3 | 3.3 ± 20% | 10 | 1k/7.96M | 35 | 0.018 | 3.8 | 3.3 |
| NSL0708RA-4R7M3R1 | 4.7 ± 20% | 10 | 1k/7.96M | 27 | 0.022 | 3.2 | 3.1 |
| NSL0708RA-6R8M2R6 | 6.8 ± 20% | 10 | 1k/7.96M | 20 | 0.028 | 2.6 | 2.9 |
| NSL0708RA-100K2R1 | 10 ± 10% | 20 | 1k/2.52M | 15 | 0.043 | 2.1 | 2.5 |
| NSL0708RA-150K1R8 | 15 ± 10% | 20 | 1k/2.52M | 12 | 0.052 | 1.8 | 1.8 |
| NSL0708RA-220K1R4 | 22 ± 10% | 20 | 1k/2.52M | 10 | 0.08 | 1.4 | 1.5 |
| NSL0708RA-330K1R2 | 33 ± 10% | 20 | 1k/2.52M | 8 | 0.13 | 1.2 | 1.2 |
| NSL0708RA-470KR90 | 47 ± 10% | 20 | 1k/2.52M | 6.7 | 0.16 | 1 | 0.9 |
| NSL0708RA-680KR83 | 68 ± 10% | 20 | 1k/2.52M | 5.6 | 0.25 | 0.83 | 0.84 |
| NSL0708RA-101KR68 | 100 ± 10% | 20 | 1k/796k | 4 | 0.32 | 0.68 | 0.73 |
| NSL0708RA-151KR56 | 150 ± 10% | 20 | 1k/796k | 3.7 | 0.57 | 0.56 | 0.56 |
| NSL0708RA-221KR46 | 220 ± 10% | 20 | 1k/796k | 3 | 0.73 | 0.46 | 0.47 |
| NSL0708RA-331KR37 | 330 ± 10% | 20 | 1k/796k | 2.5 | 1.1 | 0.37 | 0.4 |
| NSL0708RA-471KR31 | 470 ± 10% | 20 | 1k/796k | 2.1 | 1.8 | 0.31 | 0.32 |
| NSL0708RA-681KR25 | 680 ± 10% | 20 | 1k/796k | 1.7 | 2.3 | 0.26 | 0.25 |
| NSL0708RA-102KR21 | 1000 ± 10% | 50 | 1k/252k | 1.4 | 3.9 | 0.21 | 0.21 |

Inductors

NSL0808 TYPE



ELECTRICAL CHARACTERISTICS

| Part No. | Inductance (μ H) | Q min. | Test frequency L/Q (Hz) | Self-resonant frequency (MHz) min. | DC resistance (Ω) max. | Rated current (A) max. | |
|-------------------|--------------------------|-----------|----------------------------|--|------------------------------------|---------------------------------------|---------------------------------|
| | | | | | | Based on inductance change rate | Based on temperature rise |
| NSL0808RA-3R3M3R8 | 3.3 \pm 20% | 10 | 1k/7.96M | 34 | 0.017 | 4.5 | 3.8 |
| NSL0808RA-4R7M3R5 | 4.7 \pm 20% | 10 | 1k/7.96M | 27 | 0.021 | 3.8 | 3.5 |
| NSL0808RA-6R8M3R1 | 6.8 \pm 20% | 10 | 1k/7.96M | 22 | 0.025 | 3.2 | 3.1 |
| NSL0808RA-100K2R6 | 10 \pm 10% | 20 | 1k/2.52M | 17 | 0.031 | 2.6 | 2.7 |
| NSL0808RA-150K2R1 | 15 \pm 10% | 20 | 1k/2.52M | 13 | 0.042 | 2.1 | 2.4 |
| NSL0808RA-220K1R7 | 22 \pm 10% | 20 | 1k/2.52M | 10 | 0.07 | 1.7 | 1.9 |
| NSL0808RA-330K1R4 | 33 \pm 10% | 20 | 1k/2.52M | 8 | 0.092 | 1.4 | 1.5 |
| NSL0808RA-470K1R2 | 47 \pm 10% | 20 | 1k/2.52M | 6.5 | 0.13 | 1.2 | 1.3 |
| NSL0808RA-680K1R0 | 68 \pm 10% | 20 | 1k/2.52M | 5.4 | 0.16 | 1 | 1.1 |
| NSL0808RA-101KR80 | 100 \pm 10% | 20 | 1k/796k | 4.4 | 0.25 | 0.8 | 0.94 |
| NSL0808RA-151KR67 | 150 \pm 10% | 20 | 1k/796k | 3.6 | 0.4 | 0.67 | 0.73 |
| NSL0808RA-221KR54 | 220 \pm 10% | 15 | 1k/796k | 2.9 | 0.53 | 0.54 | 0.64 |
| NSL0808RA-331KR45 | 330 \pm 10% | 15 | 1k/796k | 2.4 | 0.78 | 0.45 | 0.52 |
| NSL0808RA-471KR38 | 470 \pm 10% | 15 | 1k/796k | 2 | 1 | 0.38 | 0.46 |
| NSL0808RA-681KR32 | 680 \pm 10% | 15 | 1k/796k | 1.6 | 1.5 | 0.32 | 0.37 |
| NSL0808RA-102KR26 | 1000 \pm 10% | 30 | 1k/252k | 1.3 | 2.2 | 0.26 | 0.3 |
| NSL0808RA-152KR21 | 1500 \pm 10% | 30 | 1k/252k | 1.1 | 3.5 | 0.21 | 0.25 |