

NCV8184

Micropower 70 mA Low Dropout Tracking Regulator/Line Driver

The NCV8184 is a monolithic integrated low dropout tracking voltage regulator designed to provide an adjustable buffered output voltage that closely tracks (± 3.0 mV) the reference input.

The part can be used in automotive applications with remote sensors, or any situation where it is necessary to isolate the output of your regulator.

The NCV8184 also enables the user to bestow a quick upgrade to their module when added current is needed, and the existing regulator cannot provide.

The versatility of this part also enables it to be used as a high-side driver.

Features

- 70 mA Source Capability
- Output Tracks within ± 3.0 mV
- Low Input Voltage Tracking Performance (Works Down to $V_{REF} = 2.1$ V)
- Low Dropout (0.35 V Typ. @ 50 mA)
- Low Quiescent Current
- Thermal Shutdown
- Wide Operating Range
- Internally Fused Leads in SOIC-8 Package
- NCV Prefix, for Automotive and Other Applications Requiring Site and Change Control
- AEC Qualified
- PPAP Capable
- These are Pb-Free Devices

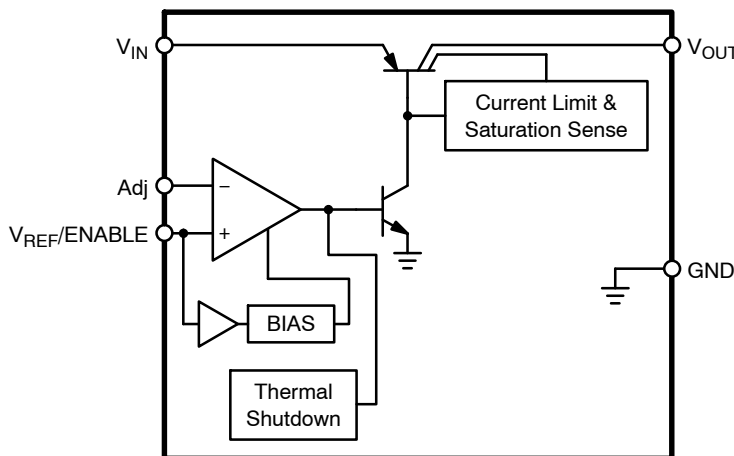


Figure 1. Block Diagram

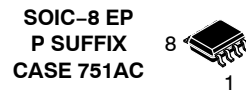


ON Semiconductor®

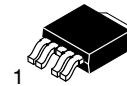
<http://onsemi.com>



SOIC-8
D SUFFIX
CASE 751

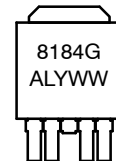
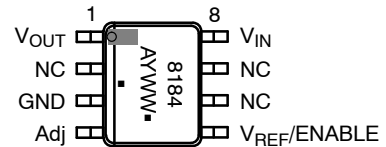
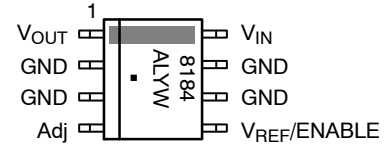


SOIC-8 EP
P SUFFIX
CASE 751AC



DPAK 5-LEAD
DT SUFFIX
CASE 175AA

PIN CONNECTIONS AND MARKING DIAGRAMS



- | | |
|------|---------------------|
| Pin | 1. V_{IN} |
| | 2. V_{OUT} |
| Tab, | 3. GND |
| | 4. Adj |
| | 5. $V_{REF/ENABLE}$ |

- | | |
|--------|---------------------|
| 8184 | = Device Code |
| A | = Assembly Location |
| L | = Wafer Lot |
| Y | = Year |
| W, WW | = Work Week |
| ▪ or G | = Pb-Free Package |

ORDERING INFORMATION

See detailed ordering and shipping information in the package dimensions section on page 17 of this data sheet.

NCV8184

MAXIMUM RATINGS

| Rating | Value | Unit |
|---|---|--------|
| Storage Temperature | -65 to 150 | °C |
| Supply Voltage Range (Continuous) | -15 to 45 | V |
| Supply Voltage Operating Range | 4.0 to 42 | V |
| Peak Transient Voltage ($V_{IN} = 14$ V, Load Dump Transient = 31 V) | 45 | V |
| Voltage Range (V_{OUT} , Adj) | -3.0 to 45 | V |
| Voltage Range ($V_{REF/ENABLE}$) | -0.3 to 45 | V |
| Maximum Junction Temperature | 150 | °C |
| ESD Capability | Human Body Model | 2.5 kV |
| | Machine Model | 200 V |
| | Charge Device Model | 1000 V |
| Lead Temperature Soldering: | Reflow: (SMD styles only) (Note 1) 240 peak 260 peak (Pb-Free) (Note 2) | °C |

Stresses exceeding Maximum Ratings may damage the device. Maximum Ratings are stress ratings only. Functional operation above the Recommended Operating Conditions is not implied. Extended exposure to stresses above the Recommended Operating Conditions may affect device reliability.

- 60 second maximum above 183°C.
- 5°C / +0°C Allowable Conditions, applies to both Pb and Pb-Free devices.

THERMAL CHARACTERISTICS See Package Thermal Data Section (Page 8)

ELECTRICAL CHARACTERISTICS ($V_{IN} = 14$ V; $V_{REF/ENABLE} > 2.1$ V; $-40^{\circ}\text{C} < T_J < +150^{\circ}\text{C}$; $C_{OUT} = 1.0$ μF ; $I_{OUT} = 1.0$ mA; Adj = V_{OUT} ; $C_{OUT-ESR} = 1.0$ Ω , unless otherwise specified.)

| Parameter | Test Conditions | Min | Typ | Max | Unit |
|-----------|-----------------|-----|-----|-----|------|
|-----------|-----------------|-----|-----|-----|------|

REGULATOR OUTPUT

| | | | | | |
|--|---|------|-----|-----|---------------|
| $V_{REF/ENABLE} - V_{OUT}$ V_{OUT} Tracking Error | $5.7\text{ V} \leq V_{IN} \leq 26\text{ V}$, $100\ \mu\text{A} \leq I_{OUT} \leq 60\text{ mA}$ $2.1\text{ V} \leq V_{REF/ENABLE} \leq (V_{IN} - 600\text{ mV})$ | -3.0 | - | 3.0 | mV |
| Dropout Voltage ($V_{IN} - V_{OUT}$) | $I_{OUT} = 100\ \mu\text{A}$ | - | 100 | 150 | mV |
| | $I_{OUT} = 5.0\text{ mA}$ | - | 250 | 500 | mV |
| | $I_{OUT} = 60\text{ mA}$ | - | 350 | 600 | mV |
| Line Regulation | $5.7\text{ V} \leq V_{IN} \leq 26\text{ V}$, $V_{REF/ENABLE} = 5.0\text{ V}$ | - | - | 3.0 | mV |
| Load Regulation | $100\ \mu\text{A} \leq I_{OUT} \leq 60\text{ mA}$, $V_{REF/ENABLE} = 5.0\text{ V}$ | - | - | 3.0 | mV |
| Adj Input Bias Current | $V_{REF/ENABLE} = 5.0\text{ V}$ | - | 0.2 | 6.0 | μA |
| Current Limit | $V_{IN} = 14\text{ V}$, $V_{REF} = 5.0\text{ V}$, $V_{OUT} = 90\%$ of V_{REF} (Note 3) | 70 | - | 225 | mA |
| Quiescent Current ($I_{IN} - I_{OUT}$) | $V_{IN} = 12\text{ V}$, $I_{OUT} = 60\text{ mA}$ | - | 5.0 | 7.0 | mA |
| | $V_{IN} = 12\text{ V}$, $I_{OUT} = 100\ \mu\text{A}$ | - | 50 | 70 | μA |
| | $V_{IN} = 12\text{ V}$, $V_{REF/ENABLE} = 0\text{ V}$ | - | - | 20 | μA |
| Ripple Rejection | $f = 120\text{ Hz}$, $I_{OUT} = 60\text{ mA}$, $6.0\text{ V} \leq V_{IN} \leq 26\text{ V}$ | 60 | - | - | dB |
| Thermal Shutdown | Guaranteed by Design | 150 | 180 | 210 | °C |

$V_{REF/ENABLE}$

| | | | | | |
|--------------------|---------------------------------|-----|-----|-----|---------------|
| Enable Voltage | - | 0.8 | - | 2.1 | V |
| Input Bias Current | $V_{REF/ENABLE} = 5.0\text{ V}$ | - | 0.2 | 3.0 | μA |

- V_{OUT} connected to Adj lead.

PACKAGE PIN DESCRIPTION

| Package Lead Number | | | Lead Symbol | Function |
|---------------------|------------|--------------|------------------|-------------------------------------|
| SOIC-8 EPAD | SOIC-8 | DPAK, 5-LEAD | | |
| 8 | 8 | 1 | V_{IN} | Battery supply input voltage. |
| 1 | 1 | 2 | V_{OUT} | Regulated output. |
| 3, EPAD | 2, 3, 6, 7 | Tab, 3 | GND | Ground. |
| 4 | 4 | 4 | Adj | Adjust lead, noninverting input. |
| 5 | 5 | 5 | $V_{REF/ENABLE}$ | Reference voltage and ENABLE input. |
| 2, 6, 7 | - | - | NC | No Connection. PCB traces allowed. |

TYPICAL PERFORMANCE CHARACTERISTICS

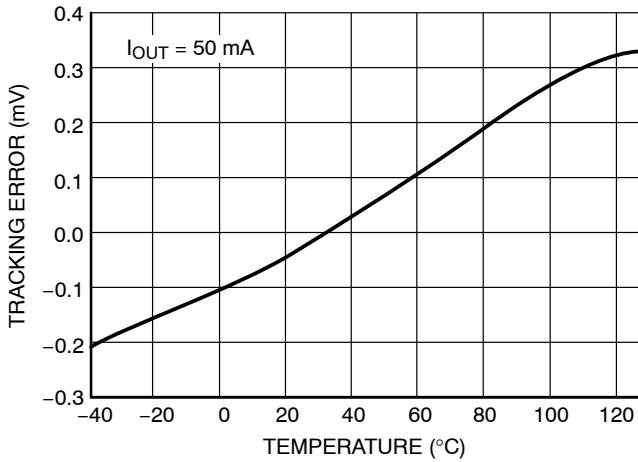


Figure 2. Tracking Error vs. Temperature

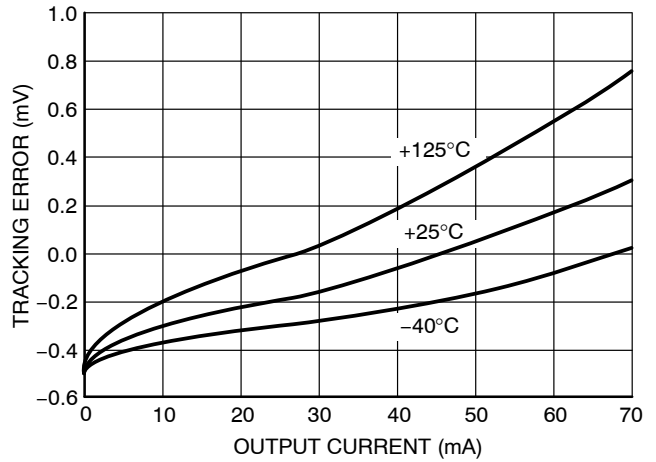


Figure 3. Tracking Error vs. Output Current

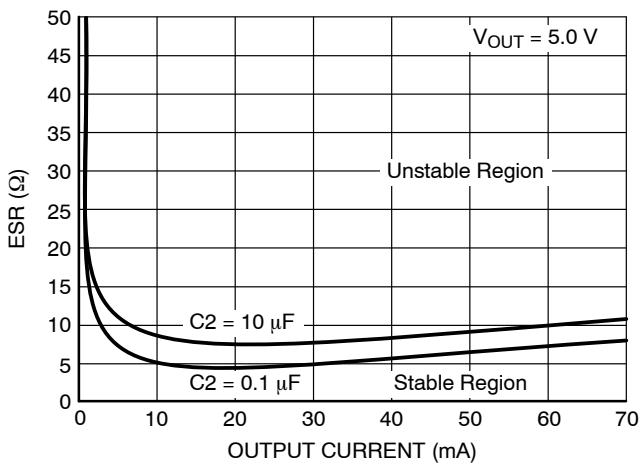


Figure 4. Output Stability with Capacitor Change

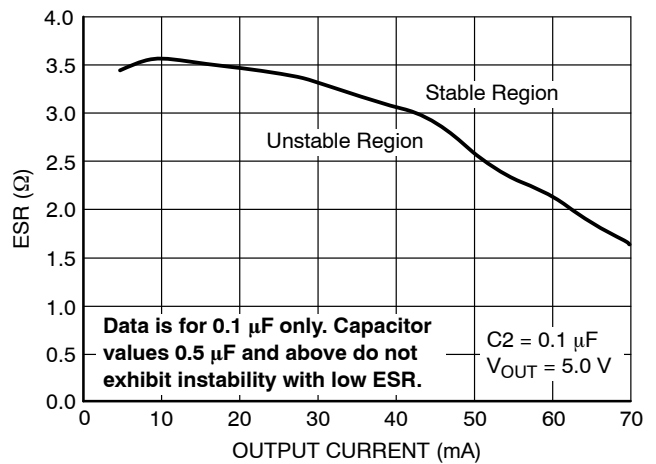


Figure 5. Output Stability with 0.1 µF at Low ESR

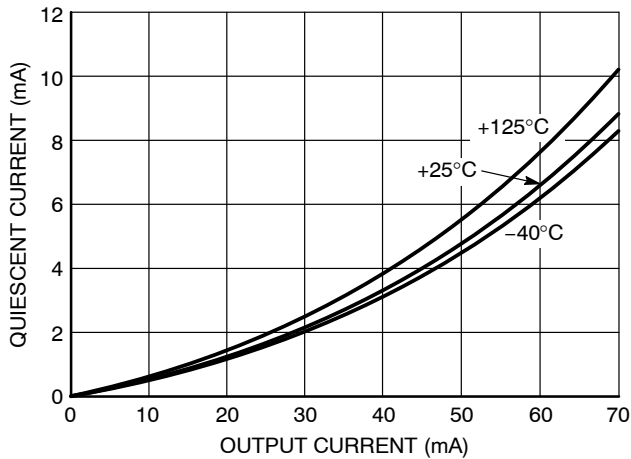


Figure 6. Quiescent Current vs. Output Current

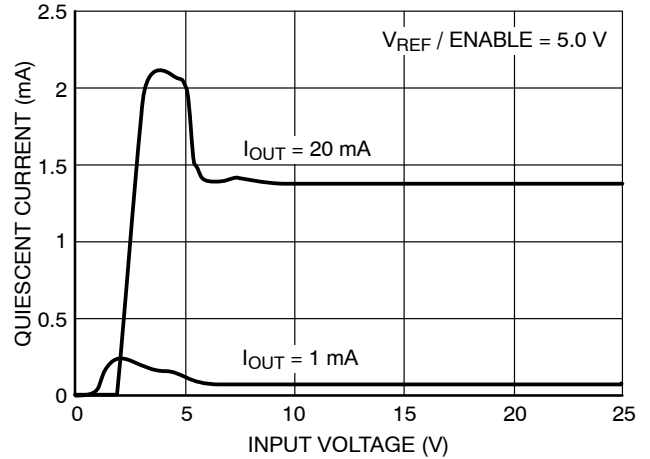


Figure 7. Quiescent Current vs. Input Voltage

TYPICAL PERFORMANCE CHARACTERISTICS

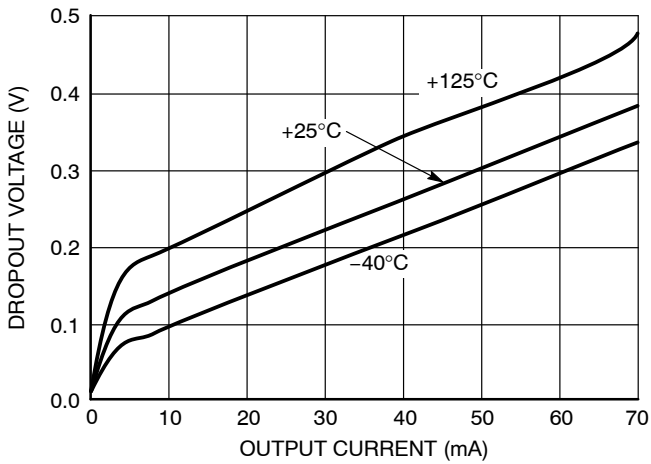


Figure 8. Dropout Voltage vs. Output Current

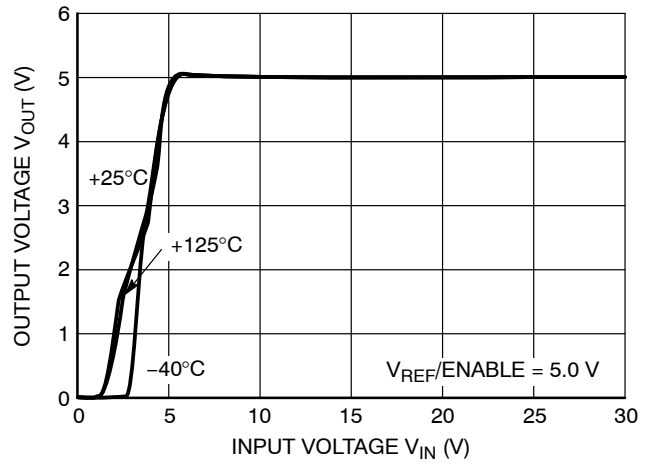


Figure 9. Output Voltage vs. Input Voltage

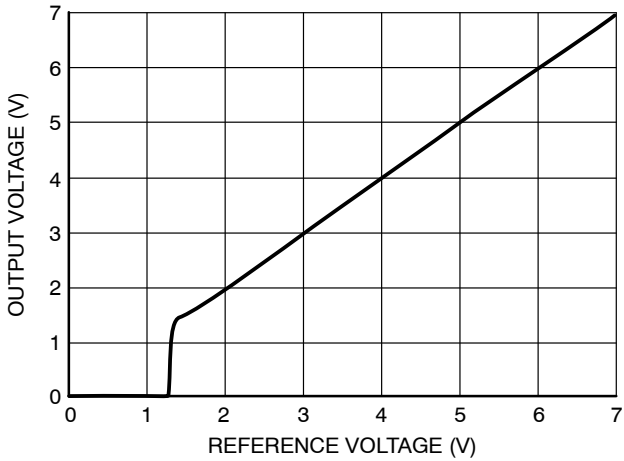


Figure 10. Output Voltage vs. Reference Voltage

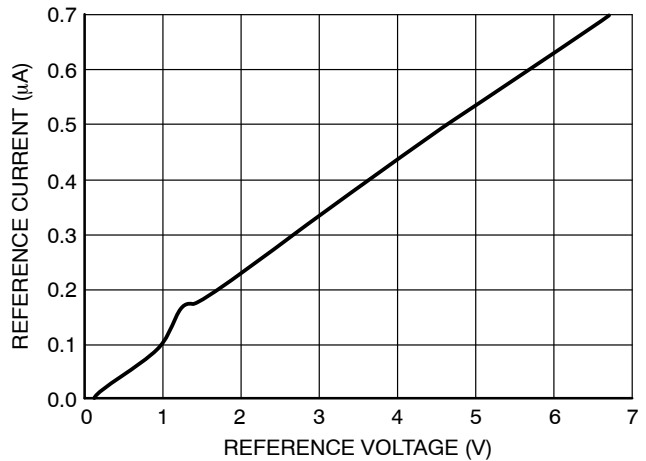


Figure 11. Reference Current vs. Reference Voltage

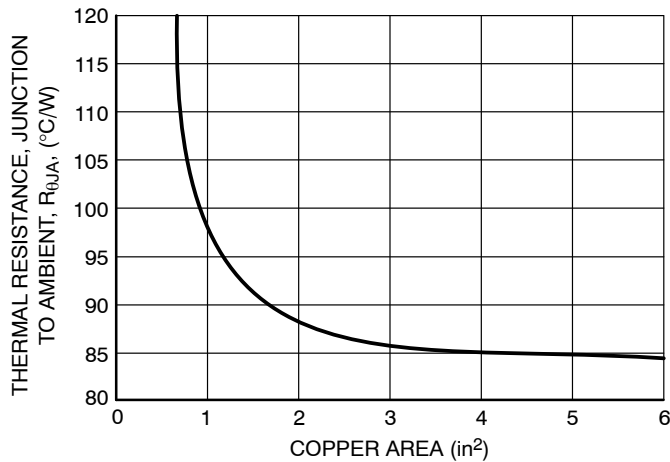


Figure 12. SOIC-8, θ_{JA} as a Function of the Pad Copper Area (2.0 oz. Cu Thickness), Board Material = 0.0625 G-10/R-4

CIRCUIT DESCRIPTION

ENABLE Function

By pulling the V_{REF}/ENABLE lead below 0.8 V, (see Figure 16 or Figure 17), the IC is disabled and enters a sleep state where the device draws less than 20 μA from supply. When the V_{REF}/ENABLE lead is greater than 2.1 V, V_{OUT} tracks the V_{REF}/ENABLE lead normally.

Output Voltage

The output is capable of supplying 70 mA to the load while configured as a similar (Figure 13), lower (Figure 15), or higher (Figure 14) voltage as the reference lead. The Adj lead acts as the inverting terminal of the op amp and the V_{REF} lead as the non-inverting.

The device can also be configured as a high-side driver as displayed in Figure 18.

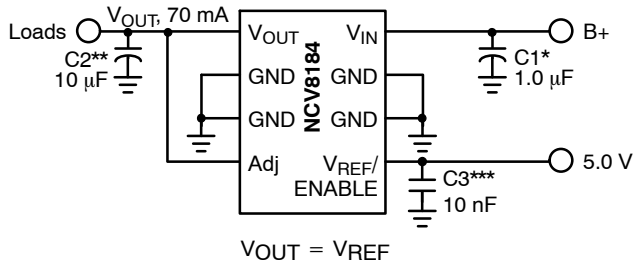


Figure 13. Tracking Regulator at the Same Voltage

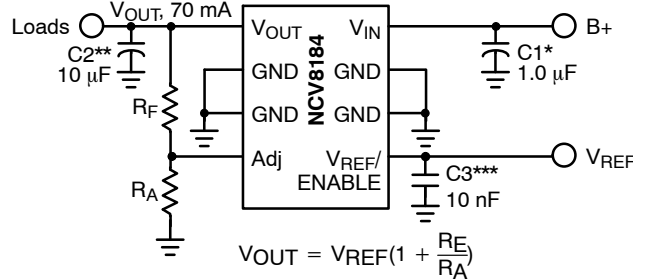


Figure 14. Tracking Regulator at Higher Voltages

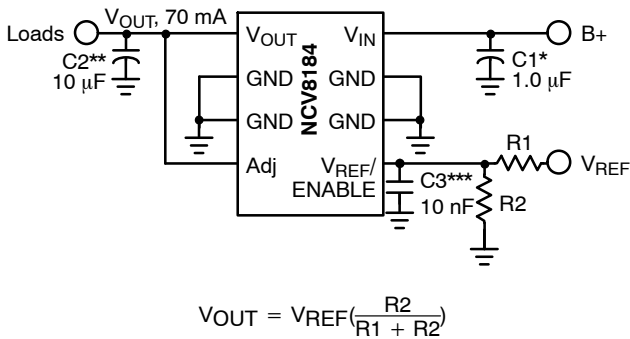


Figure 15. Tracking Regulator at Lower Voltages

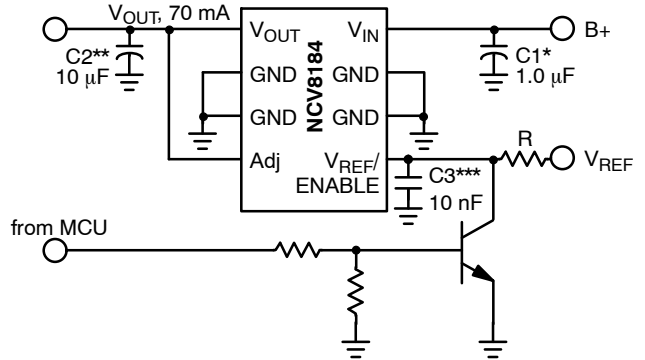


Figure 16. Tracking Regulator with ENABLE Circuit

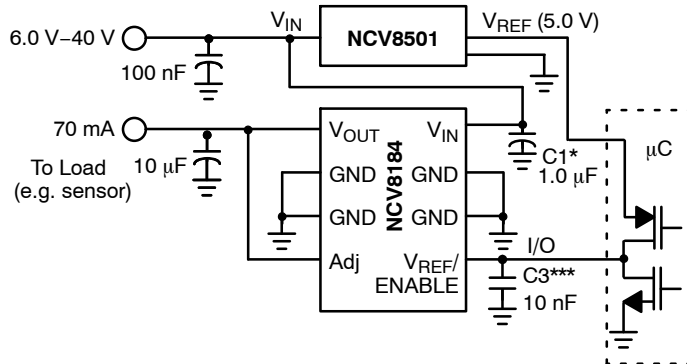


Figure 17. Alternative ENABLE Circuit

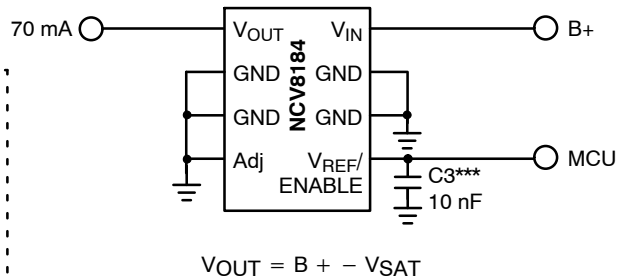


Figure 18. High-Side Driver

* C1 is required if the regulator is far from the power source filter.
 ** C2 is required for stability.
 *** C3 is recommended for EMC susceptibility

APPLICATION NOTES

V_{OUT} Short to Battery

The NCV8184 will survive a short to battery when hooked up the conventional way as shown in Figure 19. No damage to the part will occur. The part also endures a short to battery when powered by an isolated supply at a lower voltage as in

Figure 20. In this case the NCV8184 supply input voltage is set at 7.0 V when a short to battery (14 V typical) occurs on V_{OUT} which normally runs at 5.0 V. The current into the device (ammeter in Figure 20) will draw additional current as displayed in Figure 21.

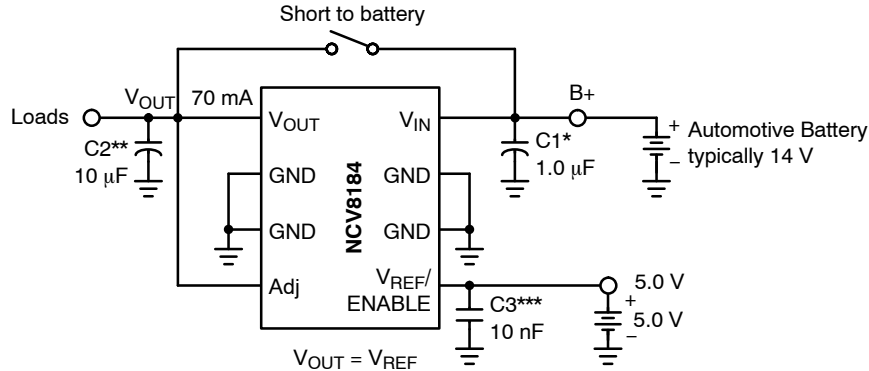
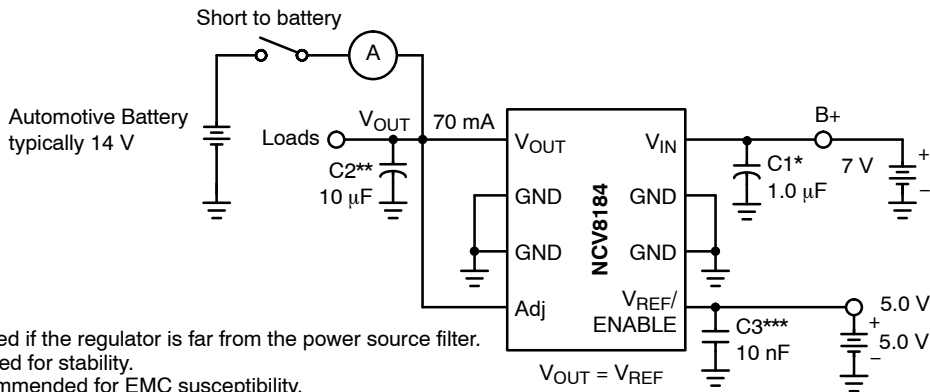


Figure 19.



* C1 is required if the regulator is far from the power source filter.
 ** C2 is required for stability.
 *** C3 is recommended for EMC susceptibility.

Figure 20.

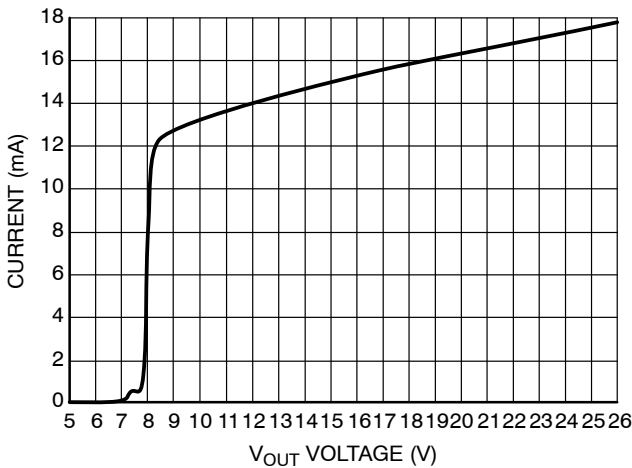


Figure 21. V_{OUT} Short to Battery

Switched Application

The NCV8184 has been designed for use in systems where the reference voltage on the V_{REF}/ENABLE pin is continuously on. Typically, the current into the V_{REF}/ENABLE pin will be less than 1.0 µA when the voltage on the V_{IN} pin (usually the ignition line) has been switched out (V_{IN} can be at high impedance or at ground.) Reference Figure 22.

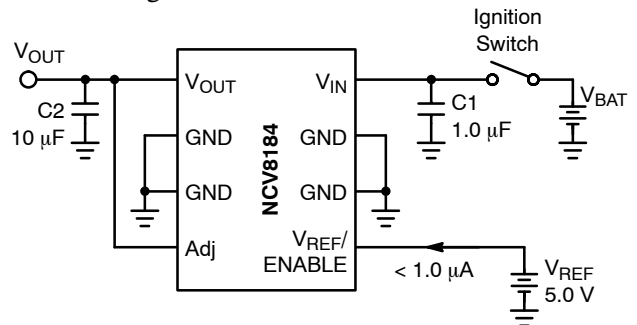


Figure 22.

External Capacitors

The output capacitor for the NCV8184 is required for stability. Without it, the regulator output will oscillate. Actual size and type may vary depending upon the application load and temperature range. Capacitor effective series resistance (ESR) is also a factor in the IC stability. Worst-case is determined at the minimum ambient temperature and maximum load expected.

The output capacitor can be increased in size to any desired value above the minimum. One possible purpose of this would be to maintain the output voltage during brief conditions of negative input transients that might be characteristic of a particular system.

The capacitor must also be rated at all ambient temperatures expected in the system. To maintain regulator stability down to -40°C, a capacitor rated at that temperature must be used.

More information on capacitor selection for SMART REGULATOR®s is available in the SMART REGULATOR application note, “Compensation for Linear Regulators,” document number SR003AN/D, available through our website at <http://www.onsemi.com>.

Calculating Power Dissipation in a Single Output Linear Regulator

The maximum power dissipation for a single output regulator (Figure 23) is:

$$PD(max) = \{V_{IN(max)} - V_{OUT(min)}\} I_{OUT(max)} + V_{IN(max)} I_Q \tag{eq. 1}$$

where:

- $V_{IN(max)}$ is the maximum input voltage,
- $V_{OUT(min)}$ is the minimum output voltage,
- $I_{OUT(max)}$ is the maximum output current, for the application, and
- I_Q is the quiescent current the regulator consumes at $I_{OUT(max)}$.

Once the value of PD(max) is known, the maximum permissible value of $R_{\theta JA}$ can be calculated:

$$R_{\theta JA} = \frac{150^{\circ}C - T_A}{PD} \tag{eq. 2}$$

The value of $R_{\theta JA}$ can then be compared with those in the Package Thermal Data Section of the data sheet. Those packages with $R_{\theta JA}$'s less than the calculated value in equation 2 will keep the die temperature below 150°C.

In some cases, none of the packages will be sufficient to dissipate the heat generated by the IC, and an external heat sink will be required.

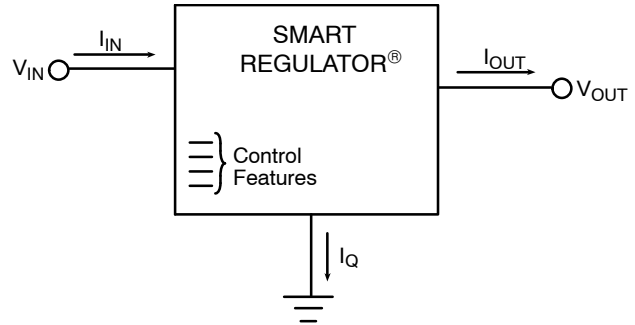


Figure 23. Single Output Regulator with Key Performance Parameters Labeled

Heatsinks

A heatsink effectively increases the surface area of the package to improve the flow of heat away from the IC and into the surrounding air.

Each material in the heat flow path between the IC and the outside environment will have a thermal resistance. Like series electrical resistances, these resistances are summed to determine the value of $R_{\theta JA}$:

$$R_{\theta JA} = R_{\theta JC} + R_{\theta CS} + R_{\theta SA} \tag{eq. 3}$$

where:

- $R_{\theta JC}$ = the junction-to-case thermal resistance,
- $R_{\theta CS}$ = the case-to-heatsink thermal resistance, and
- $R_{\theta SA}$ = the heatsink-to-ambient thermal resistance.

$R_{\theta JC}$ appears in the package section of the data sheet. Like $R_{\theta JA}$, it is a function of package type. $R_{\theta CS}$ and $R_{\theta SA}$ are functions of the package type, heatsink and the interface between them. These values appear in heat sink data sheets of heatsink manufacturers.

NCV8184

PACKAGE THERMAL DATA

| Parameter | Conditions Typical Value | | | | Units |
|--|------------------------------------|------|------------------------------------|------|-------|
| | 100 mm ² Spreader Board | | 645 mm ² Spreader Board | | |
| | 1 oz | 2 oz | 1 oz | 2 oz | |
| Junction-to-Pin 6 (Ψ_{JL6} , Ψ_{JL6}) | 53 | 51 | 50 | 47 | °C/W |
| Junction-to-Ambient ($R_{\theta\text{JA}}$, θ_{JA}) | 151 | 135 | 111 | 100 | °C/W |

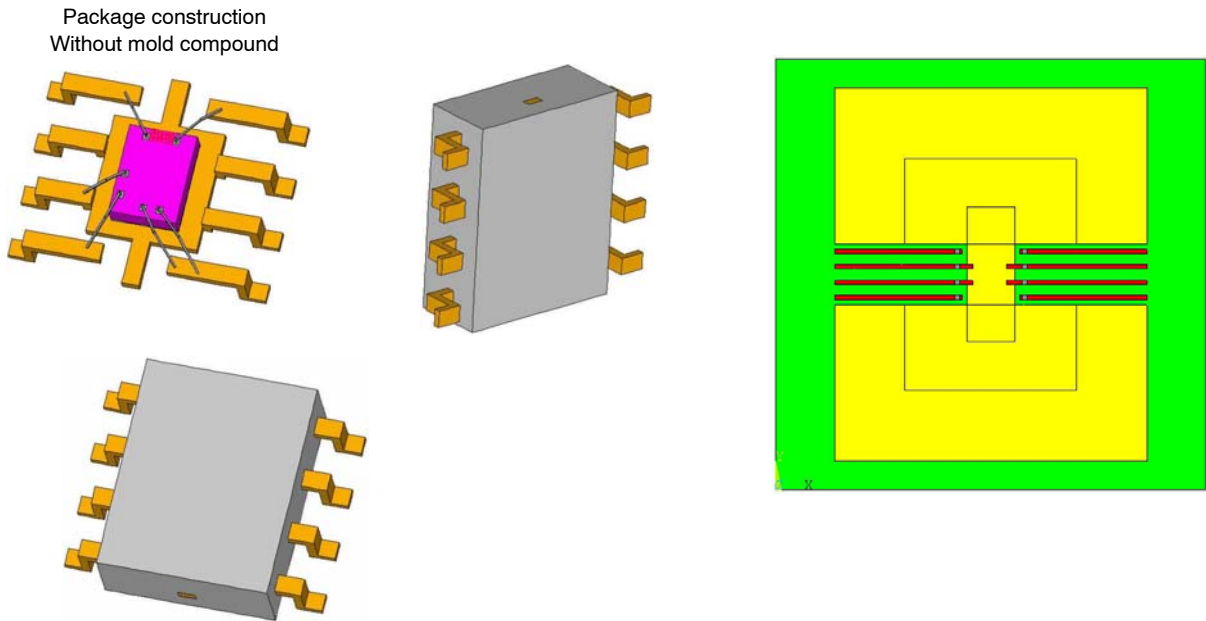


Figure 24. PCB Layout and Package Construction for Simulation

Table 1. SOIC-8 THERMAL RC NETWORK MODELS*

| Copper Area (1 oz thick) | | | 100 mm ² | 645 mm ² | | 100 mm ² | 645 mm ² | |
|--------------------------|-----------------|--------------|---------------------------|---------------------------|-------|---------------------|---------------------|-------|
| | | | Cauer Network | | | Foster Network | | |
| | | | 100 mm ² | 645 mm ² | Units | Tau | Tau | Units |
| C_C1 | Junction | Gnd | 0.0000015 | 0.0000015 | W-s/C | 1.00E-06 | 1.00E-06 | sec |
| C_C2 | node1 | Gnd | 0.0000059 | 0.0000059 | W-s/C | 1.00E-05 | 1.00E-05 | sec |
| C_C3 | node2 | Gnd | 0.0000171 | 0.0000171 | W-s/C | 1.00E-04 | 1.00E-04 | sec |
| C_C4 | node3 | Gnd | 0.0001340 | 0.0001340 | W-s/C | 1.76E-04 | 1.76E-04 | sec |
| C_C5 | node4 | Gnd | 0.0001322 | 0.0001323 | W-s/C | 0.0010 | 0.0010 | sec |
| C_C6 | node5 | Gnd | 0.0010797 | 0.0010811 | W-s/C | 0.008 | 0.008 | sec |
| C_C7 | node6 | Gnd | 0.0087127 | 0.0087918 | W-s/C | 0.150 | 0.150 | sec |
| C_C8 | node7 | Gnd | 0.0863882 | 0.0950421 | W-s/C | 3.00 | 3.00 | sec |
| C_C9 | node8 | Gnd | 0.3109255 | 1.0127094 | W-s/C | 8.96 | 5.15 | sec |
| C_C10 | node9 | Gnd | 0.8359004 | 1.5167041 | W-s/C | 52.5 | 68.4 | sec |
| | | | 100 mm² | 645 mm² | | R's | R's | |
| R_R1 | Junction | node1 | 0.8380955 | 0.8380935 | °C/W | 0.49519 | 0.49519 | °C/W |
| R_R2 | node1 | node2 | 1.9719907 | 1.9719679 | °C/W | 1.070738 | 1.070738 | °C/W |
| R_R3 | node2 | node3 | 5.0213740 | 5.0211819 | °C/W | 3.385971 | 3.385971 | °C/W |
| R_R4 | node3 | node4 | 3.1295806 | 3.1288061 | °C/W | 1.617537 | 1.617537 | °C/W |
| R_R5 | node4 | node5 | 3.2483544 | 3.2468794 | °C/W | 5.10 | 5.10 | °C/W |
| R_R6 | node5 | node6 | 6.5922506 | 6.5781209 | °C/W | 7.00 | 7.00 | °C/W |
| R_R7 | node6 | node7 | 16.5499898 | 16.2818051 | °C/W | 15.00 | 15.00 | °C/W |
| R_R8 | node7 | node8 | 45.3838437 | 34.7292748 | °C/W | 20.00 | 20.00 | °C/W |
| R_R9 | node8 | node9 | 32.8928798 | 7.6862725 | °C/W | 28.19863 | 16.67727 | °C/W |
| R_R10 | node9 | gnd | 37.5059686 | 24.4060143 | °C/W | 71.26626 | 33.54171 | °C/W |

*Bold face items in the tables above represent the package without the external thermal system.

The Cauer networks generally have physical significance and may be divided between nodes to separate thermal behavior due to one portion of the network from another. The Foster networks, though when sorted by time constant (as above) bear a rough correlation with the Cauer networks, are really only convenient mathematical models. Cauer networks can be easily implemented using circuit simulating

tools, whereas Foster networks may be more easily implemented using mathematical tools (for instance, in a spreadsheet program), according to the following formula:

$$R(t) = \sum_{i=1}^n R_i (1 - e^{-t/\tau_i})$$

NCV8184

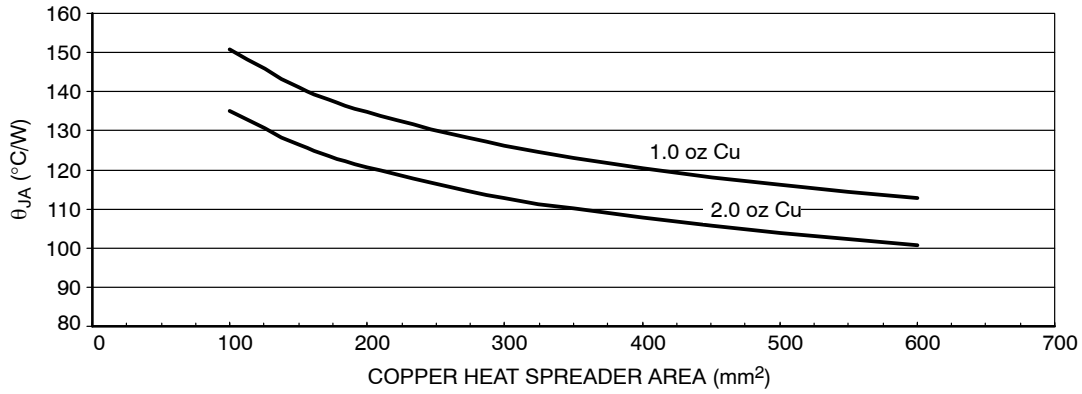


Figure 25. SOIC-8, θ_{JA} as a Function of the Pad Copper Area, Board Material FR4

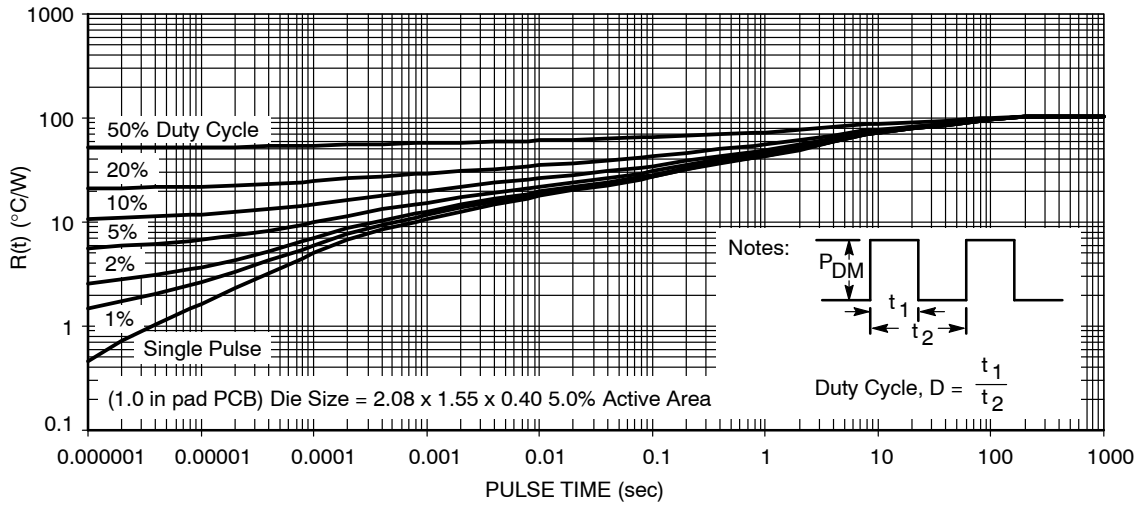


Figure 26. SOIC-8 Thermal Duty Cycle Curves on 1.0 in Spreader Test Board, 1.0 oz Cu

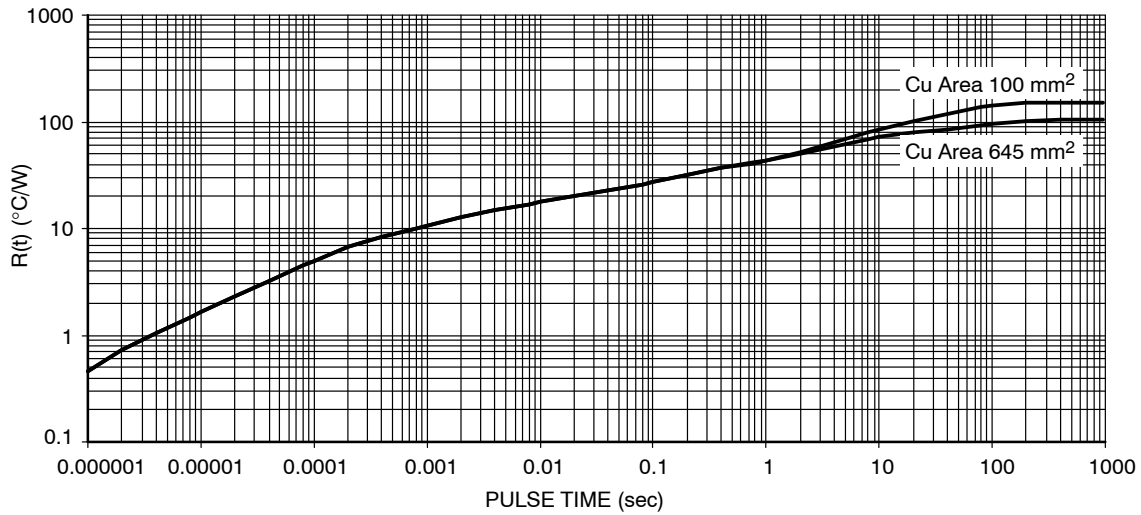


Figure 27. SOIC-8 Single Pulse Heating Curve

PACKAGE THERMAL DATA

| Parameter | Conditions Typical Value | | | | Units |
|---|------------------------------------|------|------------------------------------|------|-------|
| | 100 mm ² Spreader Board | | 645 mm ² Spreader Board | | |
| | 1 oz | 2 oz | 1 oz | 2 oz | |
| Junction-to-Board (Ψ_{JB} , Ψ_{JB}) | 26 | 26 | 26 | 25 | °C/W |
| Junction-to-Pin 6 (tab) (Ψ_{JL6} , Ψ_{JL6}) | 48 | 45 | 37 | 34 | °C/W |
| Junction-to-Ambient ($R_{\theta JA}$, θ_{JA}) | 140 | 123 | 88 | 78 | °C/W |

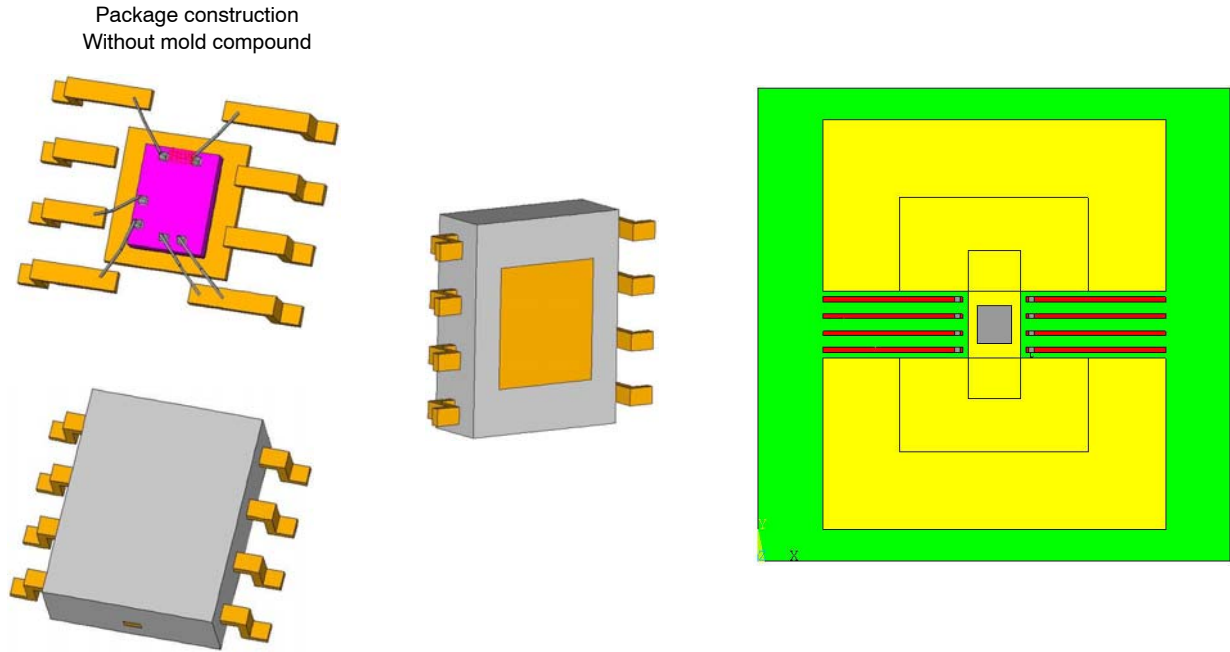


Figure 28. PCB Layout and Package Construction for Simulation

Table 2. SOIC-8 EP THERMAL RC NETWORK MODELS*

| Drain Copper Area (1 oz thick) | | | 100 mm ² | 645 mm ² | | 100 mm ² | 645 mm ² | |
|--------------------------------|-----------------|--------------|---------------------------|---------------------------|-------|---------------------|---------------------|-------|
| (SPICE Deck Format) | | | Cauer Network | | | Foster Network | | |
| | | | 100 mm ² | 645 mm ² | Units | Tau | Tau | Units |
| C_C1 | Junction | Gnd | 0.0000015 | 0.0000015 | W-s/C | 1.00E-06 | 1.00E-06 | sec |
| C_C2 | node1 | Gnd | 0.0000059 | 0.0000059 | W-s/C | 1.00E-05 | 1.00E-05 | sec |
| C_C3 | node2 | Gnd | 0.0000171 | 0.0000172 | W-s/C | 1.00E-04 | 1.00E-04 | sec |
| C_C4 | node3 | Gnd | 0.0001359 | 0.0001360 | W-s/C | 1.76E-04 | 1.76E-04 | sec |
| C_C5 | node4 | Gnd | 0.0001349 | 0.0001352 | W-s/C | 0.0010 | 0.0010 | sec |
| C_C6 | node5 | Gnd | 0.0011157 | 0.0011253 | W-s/C | 0.008 | 0.008 | sec |
| C_C7 | node6 | Gnd | 0.0110409 | 0.0118562 | W-s/C | 0.150 | 0.150 | sec |
| C_C8 | node7 | Gnd | 0.0963225 | 0.2080891 | W-s/C | 3.00 | 3.00 | sec |
| C_C9 | node8 | Gnd | 0.3406538 | 1.1005982 | W-s/C | 9.11 | 5.12 | sec |
| C_C10 | node9 | Gnd | 0.9202956 | 0.8512155 | W-s/C | 52.1 | 68.6 | sec |
| | | | 100 mm² | 645 mm² | | R's | R's | |
| R_R1 | Junction | node1 | 0.8378620 | 0.8378491 | °C/W | 0.49519 | 0.49519 | °C/W |
| R_R2 | node1 | node2 | 1.9693564 | 1.9692100 | °C/W | 1.070738 | 1.070738 | °C/W |
| R_R3 | node2 | node3 | 5.0005397 | 4.9993083 | °C/W | 3.385971 | 3.385971 | °C/W |
| R_R4 | node3 | node4 | 3.0695514 | 3.0646169 | °C/W | 1.617537 | 1.617537 | °C/W |
| R_R5 | node4 | node5 | 3.1989711 | 3.1895109 | °C/W | 5.030483 | 5.030483 | °C/W |
| R_R6 | node5 | node6 | 6.2274239 | 6.1397875 | °C/W | 7.00 | 7.00 | °C/W |
| R_R7 | node6 | node7 | 13.5796441 | 11.9712961 | °C/W | 12.00 | 12.00 | °C/W |
| R_R8 | node7 | node8 | 40.4842477 | 18.5111622 | °C/W | 17.676107 | 7.880592 | °C/W |
| R_R9 | node8 | node9 | 30.5112160 | 10.0330297 | °C/W | 25.169021 | 8.550583 | °C/W |
| R_R10 | node9 | gnd | 33.6034987 | 27.3017101 | °C/W | 65.037264 | 40.98639 | °C/W |

*Bold face items in the tables above represent the package without the external thermal system.

The Cauer networks generally have physical significance and may be divided between nodes to separate thermal behavior due to one portion of the network from another. The Foster networks, though when sorted by time constant (as above) bear a rough correlation with the Cauer networks, are really only convenient mathematical models. Cauer networks can be easily implemented using circuit simulating

tools, whereas Foster networks may be more easily implemented using mathematical tools (for instance, in a spreadsheet program), according to the following formula:

$$R(t) = \sum_{i=1}^n R_i (1 - e^{-t/\tau_i})$$

NCV8184

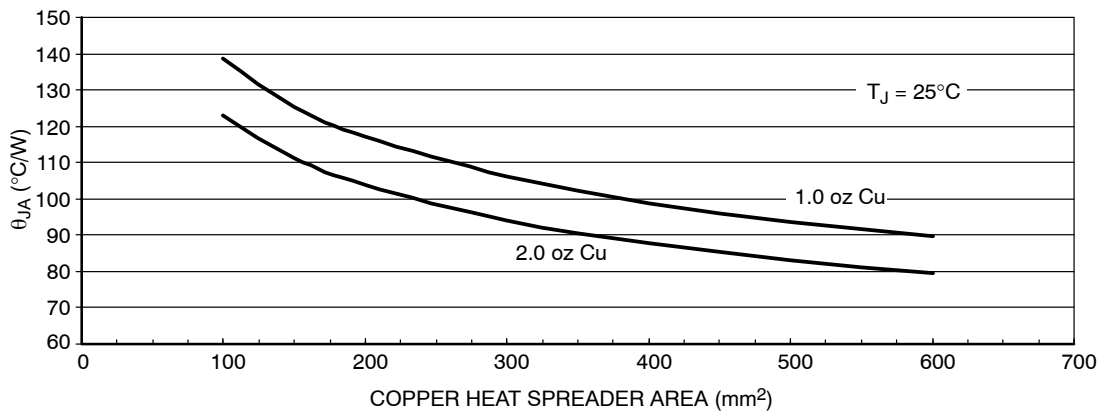


Figure 29. SOIC-8 Exposed Pad, θ_{JA} as a Function of the Pad Copper Area, Board Material FR4

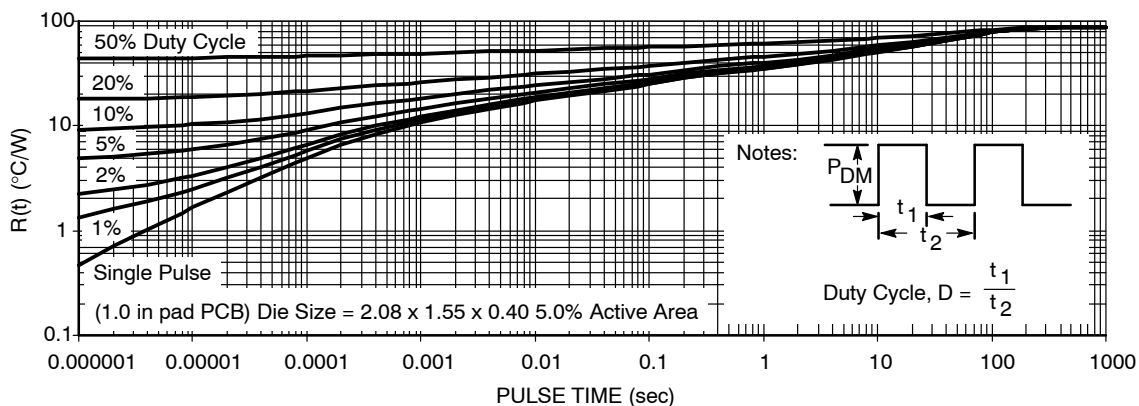


Figure 30. SOIC-8 Exposed Pad Thermal Duty Cycle Curves on 1.0 in Spreader Test Board, 1.0 oz Cu

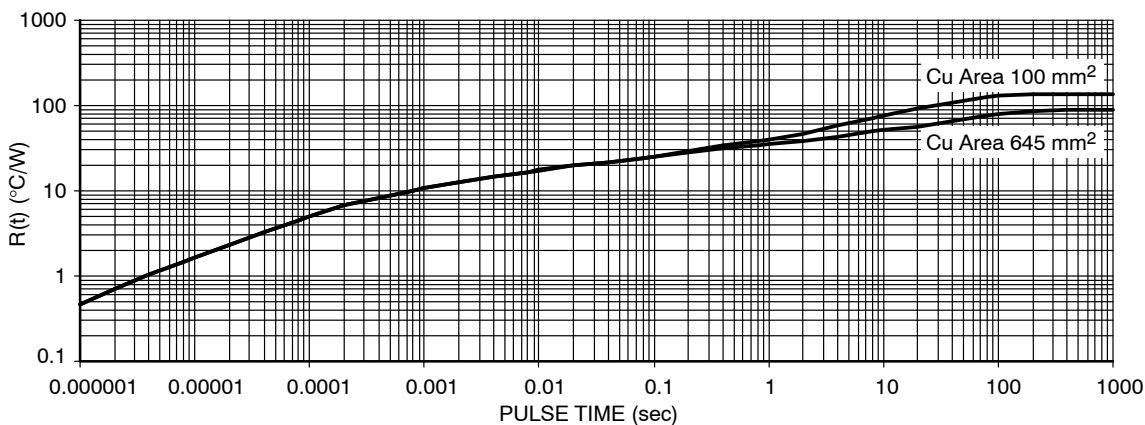


Figure 31. SOIC-8 Exposed Pad Single Pulse Heating Curve

NCV8184

PACKAGE THERMAL DATA

| Parameter | Conditions Typical Value | | | | Units |
|---|------------------------------------|------|------------------------------------|------|-------|
| | 100 mm ² Spreader Board | | 645 mm ² Spreader Board | | |
| | 1 oz | 2 oz | 1 oz | 2 oz | |
| Junction-to-Board-top (Ψ_{JB} , Ψ_{JB}) | 18 | 18 | 17 | 16 | °C/W |
| Junction-to-Pin 3 (tab) (Ψ_{JL3} , Ψ_{JL3}) | 16 | 16 | 16 | 16 | °C/W |
| Junction-to-Ambient ($R_{\theta JA}$, θ_{JA}) | 87 | 77 | 62 | 55 | °C/W |

Package construction
Without mold compound

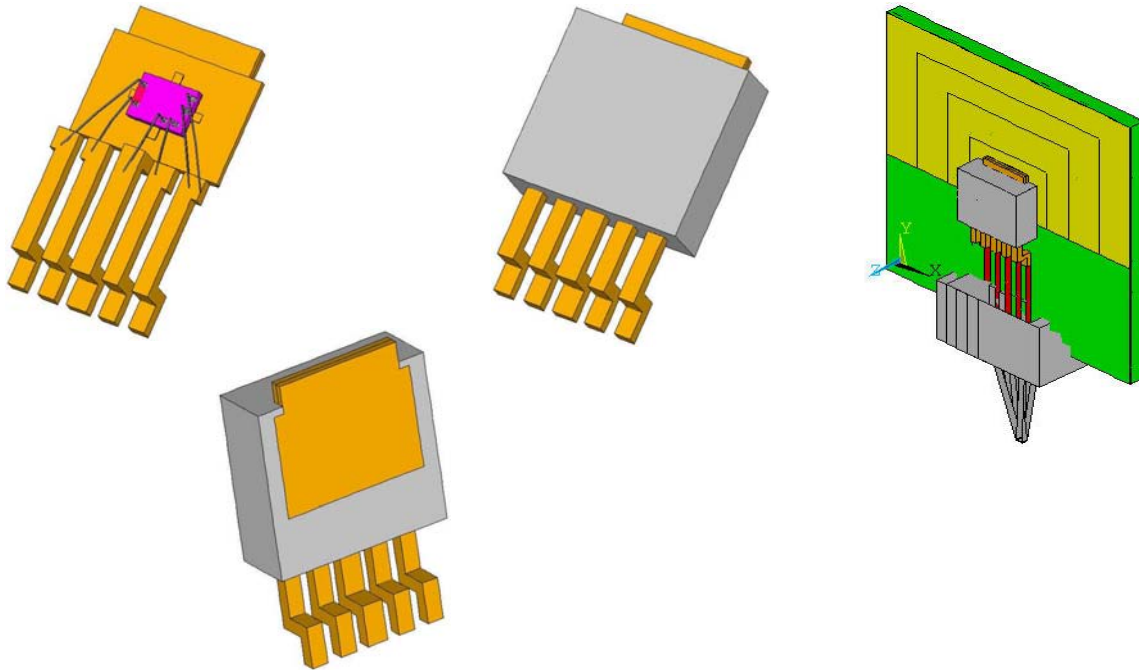


Figure 32. PCB Layout and Package Construction for Simulation

Table 3. DPAK 5-LEAD THERMAL RC NETWORK MODELS*

| Drain Copper Area (1 oz thick) | | | 100 mm ² | 645 mm ² | | 100 mm ² | 645 mm ² | |
|--------------------------------|-----------------|--------------|---------------------------|---------------------------|-------|---------------------|---------------------|-------|
| (SPICE Deck Format) | | | Cauer Network | | | Foster Network | | |
| | | | 100 mm ² | 645 mm ² | Units | Tau | Tau | Units |
| C_C1 | Junction | Gnd | 0.0000016 | 0.0000016 | W-s/C | 1.00E-06 | 1.00E-06 | sec |
| C_C2 | node1 | Gnd | 0.0000060 | 0.0000060 | W-s/C | 1.00E-05 | 1.00E-05 | sec |
| C_C3 | node2 | Gnd | 0.0000177 | 0.0000177 | W-s/C | 1.00E-04 | 1.00E-04 | sec |
| C_C4 | node3 | Gnd | 0.0001586 | 0.0001587 | W-s/C | 1.76E-04 | 1.76E-04 | sec |
| C_C5 | node4 | Gnd | 0.0001927 | 0.0001931 | W-s/C | 0.0010 | 0.0010 | sec |
| C_C6 | node5 | Gnd | 0.0056684 | 0.0058019 | W-s/C | 0.030 | 0.030 | sec |
| C_C7 | node6 | Gnd | 0.0832719 | 0.1225791 | W-s/C | 0.285 | 0.299 | sec |
| C_C8 | node7 | Gnd | 0.1125429 | 0.3555671 | W-s/C | 3.00 | 3.00 | sec |
| C_C9 | node8 | Gnd | 0.5161495 | 1.2959188 | W-s/C | 9.03 | 11.80 | sec |
| C_C10 | node9 | Gnd | 1.4600223 | 1.8396650 | W-s/C | 55.2 | 79.0 | sec |
| | | | 100 mm² | 645 mm² | | R's | R's | |
| R_R1 | Junction | node1 | 0.8287213 | 0.8287120 | °C/W | 0.490938 | 0.490938 | °C/W |
| R_R2 | node1 | node2 | 1.9304163 | 1.9303119 | °C/W | 1.061544 | 1.061544 | °C/W |
| R_R3 | node2 | node3 | 4.7751915 | 4.7743247 | °C/W | 3.356895 | 3.356895 | °C/W |
| R_R4 | node3 | node4 | 2.3736457 | 2.3705112 | °C/W | 1.606314 | 1.606314 | °C/W |
| R_R5 | node4 | node5 | 2.0679537 | 2.0623650 | °C/W | 5.00 | 5.00 | °C/W |
| R_R6 | node5 | node6 | 5.3364094 | 5.1102633 | °C/W | 5.00 | 5.00 | °C/W |
| R_R7 | node6 | node7 | 6.0331860 | 3.2428679 | °C/W | 2.00 | 2.00 | °C/W |
| R_R8 | node7 | node8 | 22.7616126 | 8.6995800 | °C/W | 9.147005 | 5.071663 | °C/W |
| R_R9 | node8 | node9 | 17.9894079 | 16.1165074 | °C/W | 17.23178 | 3.646957 | °C/W |
| R_R10 | node9 | gnd | 22.7199543 | 16.7871407 | °C/W | 41.92202 | 34.68827 | °C/W |

*Bold face items in the tables above represent the package without the external thermal system.

The Cauer networks generally have physical significance and may be divided between nodes to separate thermal behavior due to one portion of the network from another. The Foster networks, though when sorted by time constant (as above) bear a rough correlation with the Cauer networks, are really only convenient mathematical models. Cauer networks can be easily implemented using circuit simulating

tools, whereas Foster networks may be more easily implemented using mathematical tools (for instance, in a spreadsheet program), according to the following formula:

$$R(t) = \sum_{i=1}^n R_i (1 - e^{-t/\tau_i})$$

NCV8184

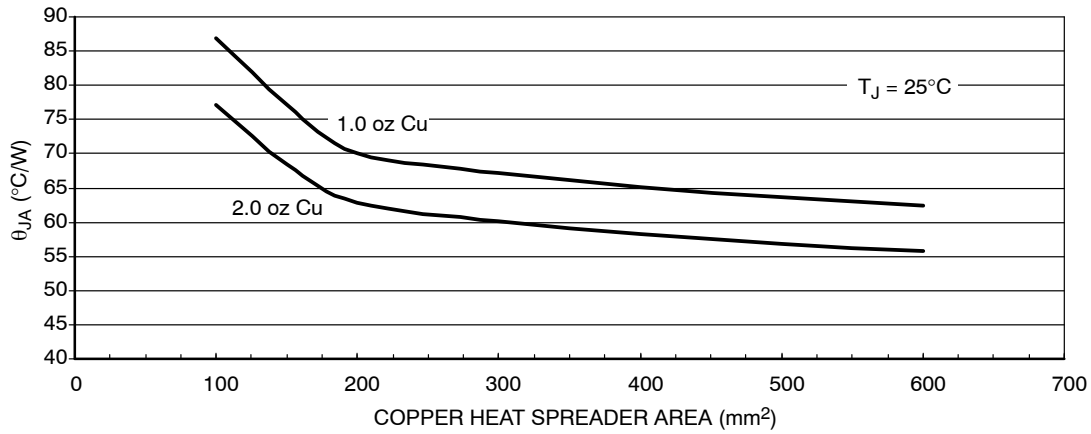


Figure 33. DPAK 5-Lead, θ_{JA} as a Function of the Pad Copper Area, Board Material FR4

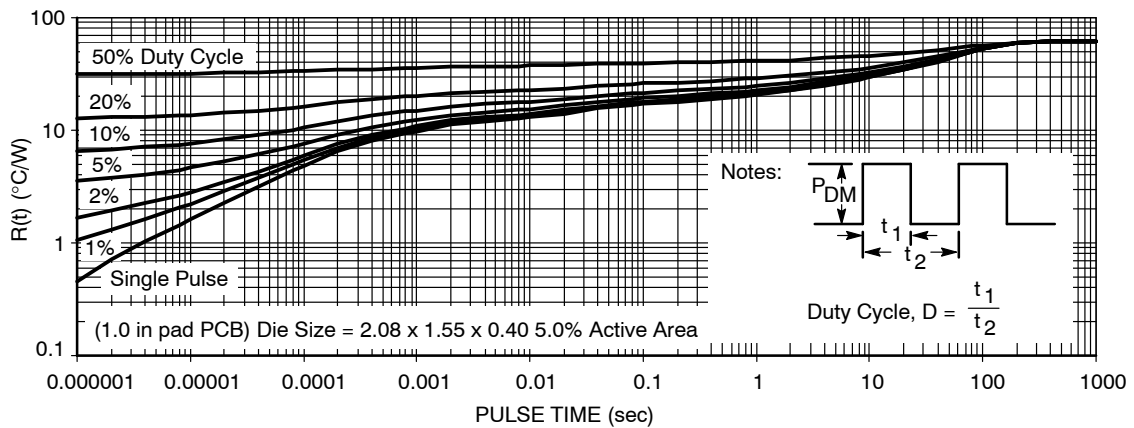


Figure 34. DPAK 5-Lead Thermal Duty Cycle Curves on 1.0 in Spreader Test Board, 1.0 oz Cu

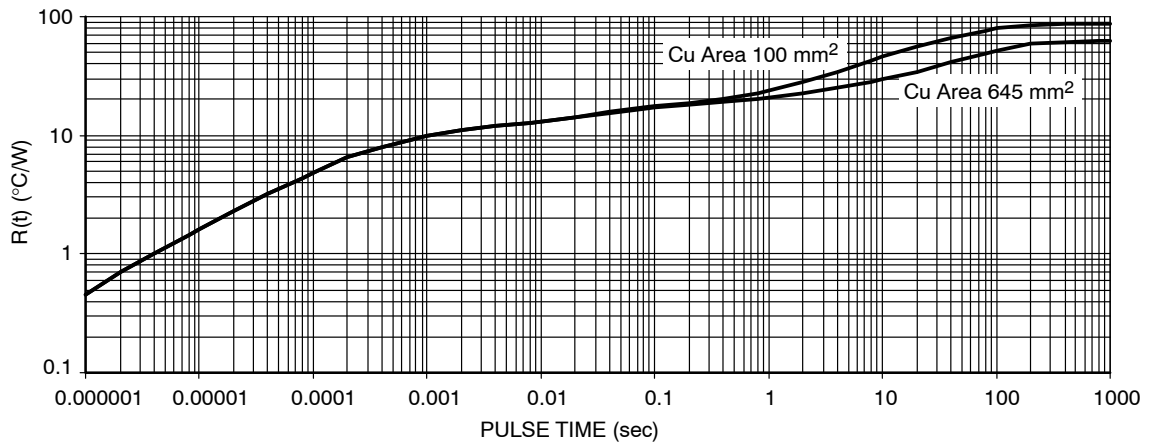


Figure 35. DPAK 5-Lead Single Pulse Heating Curve

NCV8184

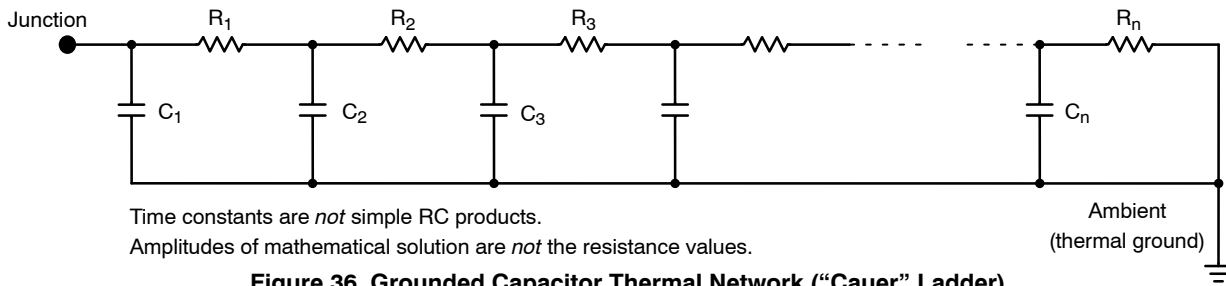


Figure 36. Grounded Capacitor Thermal Network ("Cauer" Ladder)

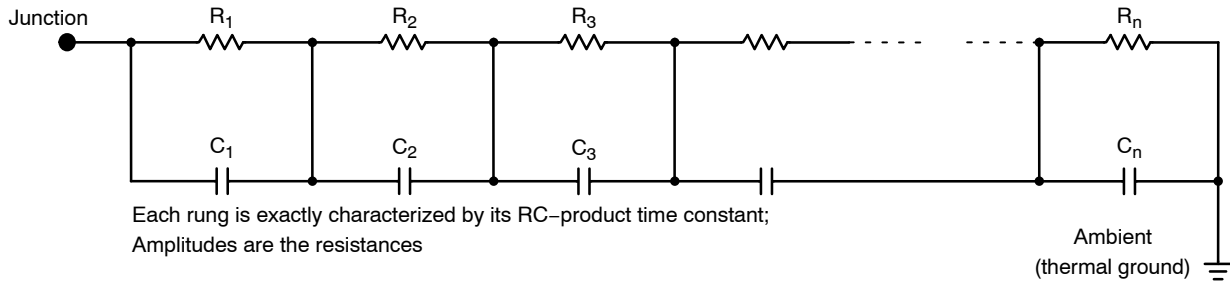


Figure 37. Non-Grounded Capacitor Thermal Ladder ("Foster" Ladder)

ORDERING INFORMATION

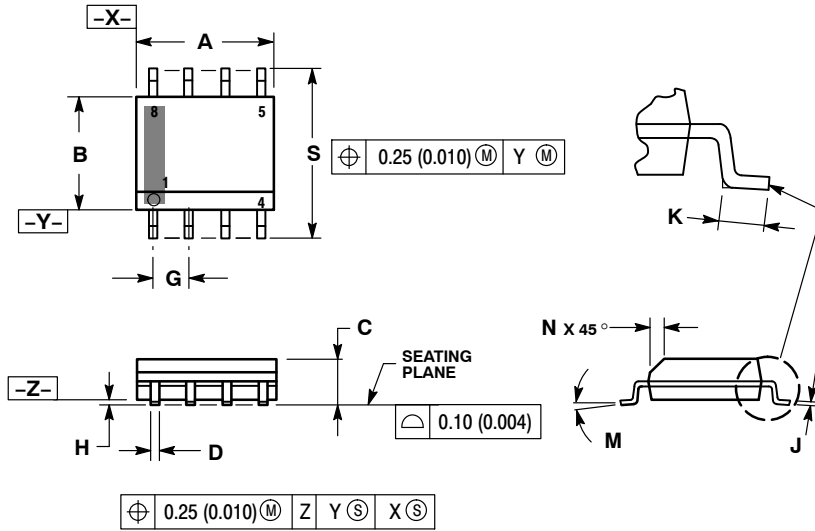
| Device Order Number | Package Type | Shipping† |
|---------------------|--------------------------|--------------------|
| NCV8184DG | SOIC-8 (Pb-Free) | 98 Units / Tube |
| NCV8184DR2G | SOIC-8 (Pb-Free) | 2500 / Tape & Reel |
| NCV8184DTRKG | DPAK (Pb-Free) | 2500 / Tape & Reel |
| NCV8184PDG | SOIC-8 epad (Pb-Free) | 98 Units / Tube |
| NCV8184PDR2G | SOIC-8 epad (Pb-Free) | 2500 / Tape & Reel |

†For information on tape and reel specifications, including part orientation and tape sizes, please refer to our Tape and Reel Packaging Specifications Brochure, BRD8011/D.

NCV8184

PACKAGE DIMENSIONS

SOIC-8 NB
CASE 751-07
ISSUE AJ

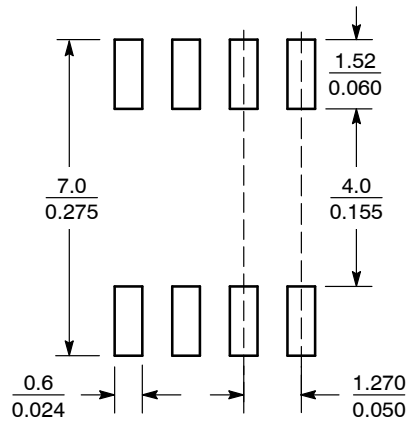


NOTES:

1. DIMENSIONING AND TOLERANCING PER ANSI Y14.5M, 1982.
2. CONTROLLING DIMENSION: MILLIMETER.
3. DIMENSION A AND B DO NOT INCLUDE MOLD PROTRUSION.
4. MAXIMUM MOLD PROTRUSION 0.15 (0.006) PER SIDE.
5. DIMENSION D DOES NOT INCLUDE DAMBAR PROTRUSION. ALLOWABLE DAMBAR PROTRUSION SHALL BE 0.127 (0.005) TOTAL IN EXCESS OF THE D DIMENSION AT MAXIMUM MATERIAL CONDITION.
6. 751-01 THRU 751-06 ARE OBSOLETE. NEW STANDARD IS 751-07.

| DIM | MILLIMETERS | | INCHES | |
|-----|-------------|------|-----------|-------|
| | MIN | MAX | MIN | MAX |
| A | 4.80 | 5.00 | 0.189 | 0.197 |
| B | 3.80 | 4.00 | 0.150 | 0.157 |
| C | 1.35 | 1.75 | 0.053 | 0.069 |
| D | 0.33 | 0.51 | 0.013 | 0.020 |
| G | 1.27 BSC | | 0.050 BSC | |
| H | 0.10 | 0.25 | 0.004 | 0.010 |
| J | 0.19 | 0.25 | 0.007 | 0.010 |
| K | 0.40 | 1.27 | 0.016 | 0.050 |
| M | 0° | 8° | 0° | 8° |
| N | 0.25 | 0.50 | 0.010 | 0.020 |
| S | 5.80 | 6.20 | 0.228 | 0.244 |

SOLDERING FOOTPRINT*

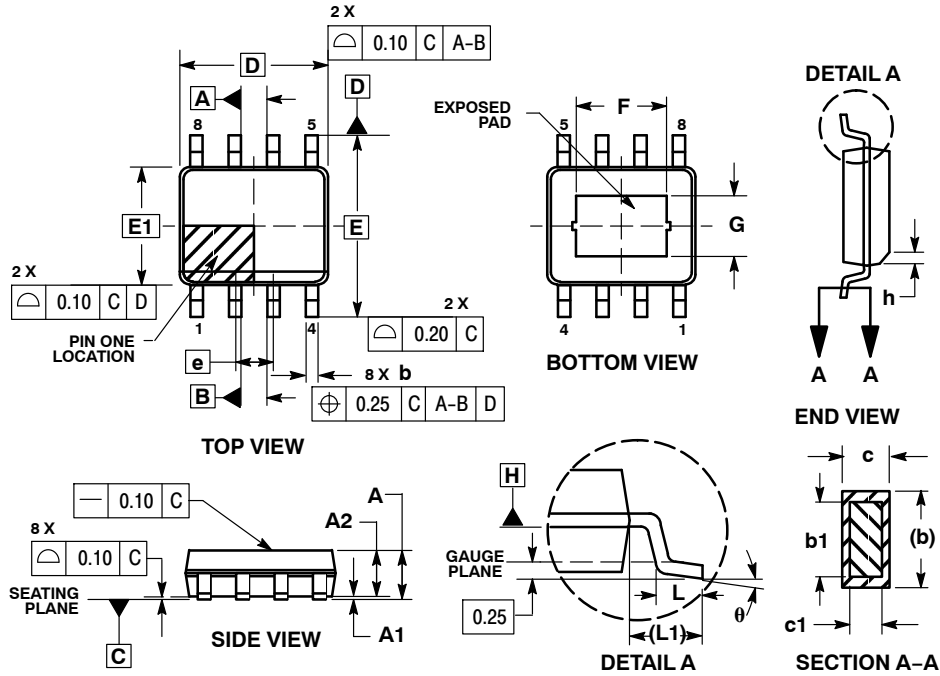


SCALE 6:1 ($\frac{\text{mm}}{\text{inches}}$)

*For additional information on our Pb-Free strategy and soldering details, please download the ON Semiconductor Soldering and Mounting Techniques Reference Manual, SOLDERRM/D.

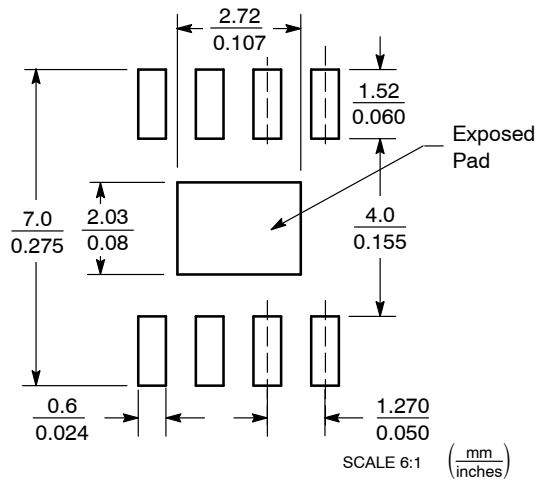
PACKAGE DIMENSIONS

SOIC-8 EP
CASE 751AC-01
ISSUE B



- NOTES:
1. DIMENSIONS AND TOLERANCING PER ASME Y14.5M, 1994.
 2. DIMENSIONS IN MILLIMETERS (ANGLES IN DEGREES).
 3. DIMENSION b DOES NOT INCLUDE DAMBAR PROTRUSION. ALLOWABLE DAMBAR PROTRUSION SHALL BE 0.08 MM TOTAL IN EXCESS OF THE "b" DIMENSION AT MAXIMUM MATERIAL CONDITION.
 4. DATUMS A AND B TO BE DETERMINED AT DATUM PLANE H.

SOLDERING FOOTPRINT*

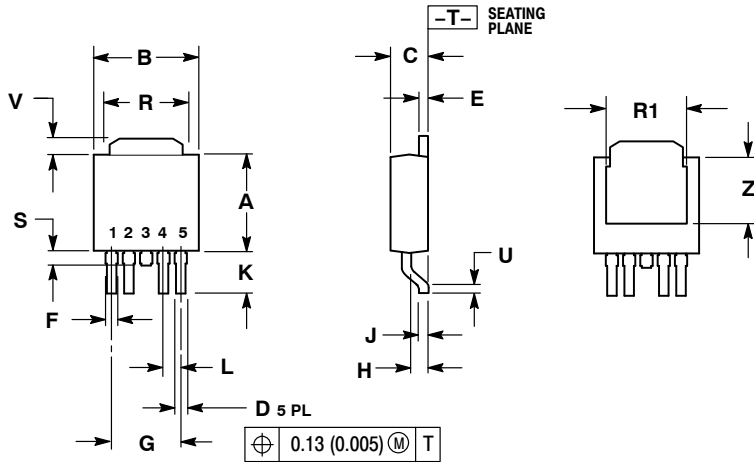


*For additional information on our Pb-Free strategy and soldering details, please download the ON Semiconductor Soldering and Mounting Techniques Reference Manual, SOLDERRM/D.

NCV8184

PACKAGE DIMENSIONS

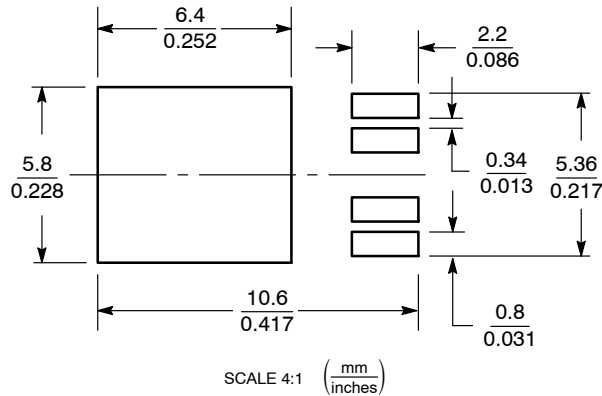
DPAK 5, CENTER LEAD CROP CASE 175AA-01 ISSUE A



- NOTES:
1. DIMENSIONING AND TOLERANCING PER ANSI Y14.5M, 1982.
2. CONTROLLING DIMENSION: INCH.

| DIM | INCHES | | MILLIMETERS | |
|-----|-----------|-------|-------------|------|
| | MIN | MAX | MIN | MAX |
| A | 0.235 | 0.245 | 5.97 | 6.22 |
| B | 0.250 | 0.265 | 6.35 | 6.73 |
| C | 0.086 | 0.094 | 2.19 | 2.38 |
| D | 0.020 | 0.028 | 0.51 | 0.71 |
| E | 0.018 | 0.023 | 0.46 | 0.58 |
| F | 0.024 | 0.032 | 0.61 | 0.81 |
| G | 0.180 BSC | | 4.56 BSC | |
| H | 0.034 | 0.040 | 0.87 | 1.01 |
| J | 0.018 | 0.023 | 0.46 | 0.58 |
| K | 0.102 | 0.114 | 2.60 | 2.89 |
| L | 0.045 BSC | | 1.14 BSC | |
| R | 0.170 | 0.190 | 4.32 | 4.83 |
| R1 | 0.185 | 0.210 | 4.70 | 5.33 |
| S | 0.025 | 0.040 | 0.63 | 1.01 |
| U | 0.020 | --- | 0.51 | --- |
| V | 0.035 | 0.050 | 0.89 | 1.27 |
| Z | 0.155 | 0.170 | 3.93 | 4.32 |

SOLDERING FOOTPRINT*



*For additional information on our Pb-Free strategy and soldering details, please download the ON Semiconductor Soldering and Mounting Techniques Reference Manual, SOLDERRM/D.

ON Semiconductor and are registered trademarks of Semiconductor Components Industries, LLC (SCILLC). SCILLC reserves the right to make changes without further notice to any products herein. SCILLC makes no warranty, representation or guarantee regarding the suitability of its products for any particular purpose, nor does SCILLC assume any liability arising out of the application or use of any product or circuit, and specifically disclaims any and all liability, including without limitation special, consequential or incidental damages. "Typical" parameters which may be provided in SCILLC data sheets and/or specifications can and do vary in different applications and actual performance may vary over time. All operating parameters, including "Typicals" must be validated for each customer application by customer's technical experts. SCILLC does not convey any license under its patent rights nor the rights of others. SCILLC products are not designed, intended, or authorized for use as components in systems intended for surgical implant into the body, or other applications intended to support or sustain life, or for any other application in which the failure of the SCILLC product could create a situation where personal injury or death may occur. Should Buyer purchase or use SCILLC products for any such unintended or unauthorized application, Buyer shall indemnify and hold SCILLC and its officers, employees, subsidiaries, affiliates, and distributors harmless against all claims, costs, damages, and expenses, and reasonable attorney fees arising out of, directly or indirectly, any claim of personal injury or death associated with such unintended or unauthorized use, even if such claim alleges that SCILLC was negligent regarding the design or manufacture of the part. SCILLC is an Equal Opportunity/Affirmative Action Employer. This literature is subject to all applicable copyright laws and is not for resale in any manner.

PUBLICATION ORDERING INFORMATION

LITERATURE FULFILLMENT:
Literature Distribution Center for ON Semiconductor
P.O. Box 5163, Denver, Colorado 80217 USA
Phone: 303-675-2175 or 800-344-3860 Toll Free USA/Canada
Fax: 303-675-2176 or 800-344-3867 Toll Free USA/Canada
Email: orderlit@onsemi.com

N. American Technical Support: 800-282-9855 Toll Free
USA/Canada
Europe, Middle East and Africa Technical Support:
Phone: 421 33 790 2910
Japan Customer Focus Center
Phone: 81-3-5773-3850

ON Semiconductor Website: www.onsemi.com
Order Literature: <http://www.onsemi.com/orderlit>
For additional information, please contact your local Sales Representative