

Coaxial 90° – European footprint, sizes DE – DC, with plastic bracket and grounding bracket

75 Ohm part numbers with plastic bracket with grounding bracket and captive nut M3

75 Ohm part numbers with plastic bracket with grounding bracket with bushing dia. 3,05

75 Ohm part numbers with plastic bracket with grounding bracket with post M3

Shell Layout size		P/N without pushfit	P/N with pushfit	P/N without pushfit	P/N with pushfit	P/N without pushfit	P/N with pushfit
DE	5W1	DEM-5C1S-1AVN-A191-A197	DEM-5C1S-1AVN-A191-A197-146	DEM-5C1S-1ADN-A191-A197	DEM-5C1S-1ADN-A191-A197-146	DEM-5C1S-1AGN-A191-A197	DEM-5C1S-1AGN-A191-A197-146
DA	7W2	DAM-7C2S-1AVN-A191-A197	DAM-7C2S-1AVN-A191-A197-146	DAM-7C2S-1ADN-A191-A197	DAM-7C2S-1ADN-A191-A197-146	DAM-7C2S-1AGN-A191-A197	DAM-7C2S-1AGN-A191-A197-146
DA	11W1	DAM-11C1S-1AVN-A191-A197	DAM-11C1S-1AVN-A191-A197-146	DAM-11C1S-1ADN-A191-A197	DAM-11C1S-1ADN-A191-A197-146	DAM-11C1S-1AGN-A191-A197	DAM-11C1S-1AGN-A191-A197-146
DA	3W3	DAM-3C3S-1AVN-A191-A197	DAM-3C3S-1AVN-A191-A197-146	DAM-3C3S-1ADN-A191-A197	DAM-3C3S-1ADN-A191-A197-146	DAM-3C3S-1AGN-A191-A197	DAM-3C3S-1AGN-A191-A197-146
DA	3WK3	DAM-3CK3S-1AVN-A191-A197	DAM-3CK3S-1AVN-A191-A197-146	DAM-3CK3S-1ADN-A191-A197	DAM-3CK3S-1ADN-A191-A197-146	DAM-3CK3S-1AGN-A191-A197	DAM-3CK3S-1AGN-A191-A197-146
DB	5W5	DBM-5C5S-1AVN-A191-A197	DBM-5C5S-1AVN-A191-A197-146	DBM-5C5S-1ADN-A191-A197	DBM-5C5S-1ADN-A191-A197-146	DBM-5C5S-1AGN-A191-A197	DBM-5C5S-1AGN-A191-A197-146
DB	9W4	DBM-9C4S-1AVN-A191-A197	DBM-9C4S-1AVN-A191-A197-146	DBM-9C4S-1ADN-A191-A197	DBM-9C4S-1ADN-A191-A197-146	DBM-9C4S-1AGN-A191-A197	DBM-9C4S-1AGN-A191-A197-146
DB	13W3	DBM-13C3S-1AVN-A191-A197	DBM-13C3S-1AVN-A191-A197-146	DBM-13C3S-1ADN-A191-A197	DBM-13C3S-1ADN-A191-A197-146	DBM-13C3S-1AGN-A191-A197	DBM-13C3S-1AGN-A191-A197-146
DB	17W2	DBM-17C2S-1AVN-A191-A197	DBM-17C2S-1AVN-A191-A197-146	DBM-17C2S-1ADN-A191-A197	DBM-17C2S-1ADN-A191-A197-146	DBM-17C2S-1AGN-A191-A197	DBM-17C2S-1AGN-A191-A197-146
DB	21W1	DBM-21C1S-1AVN-A191-A197	DBM-21C1S-1AVN-A191-A197-146	DBM-21C1S-1ADN-A191-A197	DBM-21C1S-1ADN-A191-A197-146	DBM-21C1S-1AGN-A191-A197	DBM-21C1S-1AGN-A191-A197-146
DC	8W8	DCM-8C8S-1AVN-A191-A197	DCM-8C8S-1AVN-A191-A197-146	DCM-8C8S-1ADN-A191-A197	DCM-8C8S-1ADN-A191-A197-146	DCM-8C8S-1AGN-A191-A197	DCM-8C8S-1AGN-A191-A197-146
DC	13W6	DCM-13C6S-1AVN-A191-A197	DCM-13C6S-1AVN-A191-A197-146	DCM-13C6S-1ADN-A191-A197	DCM-13C6S-1ADN-A191-A197-146	DCM-13C6S-1AGN-A191-A197	DCM-13C6S-1AGN-A191-A197-146
DC	17W5	DCM-17C5S-1AVN-A191-A197	DCM-17C5S-1AVN-A191-A197-146	DCM-17C5S-1ADN-A191-A197	DCM-17C5S-1ADN-A191-A197-146	DCM-17C5S-1AGN-A191-A197	DCM-17C5S-1AGN-A191-A197-146
DC	21WA4	DCM-21CA4S-1AVN-A191-A197	DCM-21CA4S-1AVN-A191-A197-146	DCM-21CA4S-1ADN-A191-A197	DCM-21CA4S-1ADN-A191-A197-146	DCM-21CA4S-1AGN-A191-A197	DCM-21CA4S-1AGN-A191-A197-146
DC	25W3	DCM-25C3S-1AVN-A191-A197	DCM-25C3S-1AVN-A191-A197-146	DCM-25C3S-1ADN-A191-A197	DCM-25C3S-1ADN-A191-A197-146	DCM-25C3S-1AGN-A191-A197	DCM-25C3S-1AGN-A191-A197-146
DC	27W2	DCM-27C2S-1AVN-A191-A197	DCM-27C2S-1AVN-A191-A197-146	DCM-27C2S-1ADN-A191-A197	DCM-27C2S-1ADN-A191-A197-146	DCM-27C2S-1AGN-A191-A197	DCM-27C2S-1AGN-A191-A197-146

For performance class 1 replace A191 with A190.  
For performance class 3 delete A191.

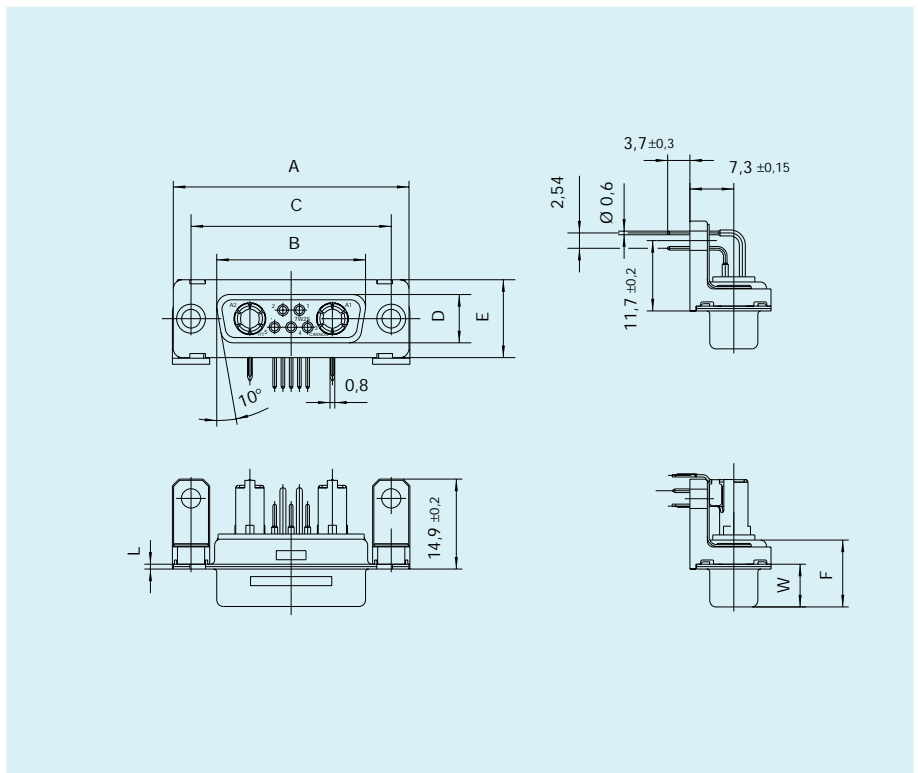
For 50 ohm coaxial replace C with X, Example:  
DCM-13C6P-1AFN-A191-K87-146 becomes  
DCM-13X6P-1AFN-A191-K87-146.

For pushfit 90° pcb hole diameter 3,2 mm replace 146 with 162. For captive nut 4-40UNC replace 1A9N with 1A7N and 1AHN with 1A8N.

Socket



- For contact cavity arrangements, see page 53.
- For pcb hole pattern, see page 57 – 59.
- For mounting methods, see page 86 – 87.
- For panel cut-outs, see our D Subminiature catalogue.
- For contact arrangements in shell size DD please refer to our D Subminiature catalogue.



Dimensions

Shell size	A ± 0,38	B ± 0,13	C ± 0,13	D ± 0,13	E ± 0,13	F ± 0,25	L + 0,2	W ± 0,4
DE	30,8	16,35	25	7,9	12,55	10,9	0,8	6,95
DA	39,15	24,65	33,3	7,9	12,55	10,9	0,8	6,95
DB	53,05	38,4	47,05	7,9	12,55	10,9	0,8	6,95
DC	69,3	54,85	63,5	7,9	12,55	10,9	0,8	6,95