

### 5 Volt, Byte Alterable EEPROM

#### FEATURES

- 70ns access time
- Simple byte and page write
  - Single 5V supply
  - No external high voltages or  $V_{PP}$  control circuits
  - Self-timed
  - No erase before write
  - No complex programming algorithms
  - No overerase problem
- Low power CMOS
  - 40mA active current max.
  - 200 $\mu$ A standby current max.
- Fast write cycle times
  - 64-byte page write operation
  - Byte or page write cycle: 2ms typical
  - Complete memory rewrite: 0.25 sec. typical
  - Effective byte write cycle time: 32 $\mu$ s typical
- Software data protection
- End of write detection
  - DATA polling
  - Toggle bit

- High reliability
  - Endurance: 1 million cycles
  - Data retention: 100 years
- JEDEC approved byte-wide pin out
- Pb-free plus anneal available (RoHS compliant)

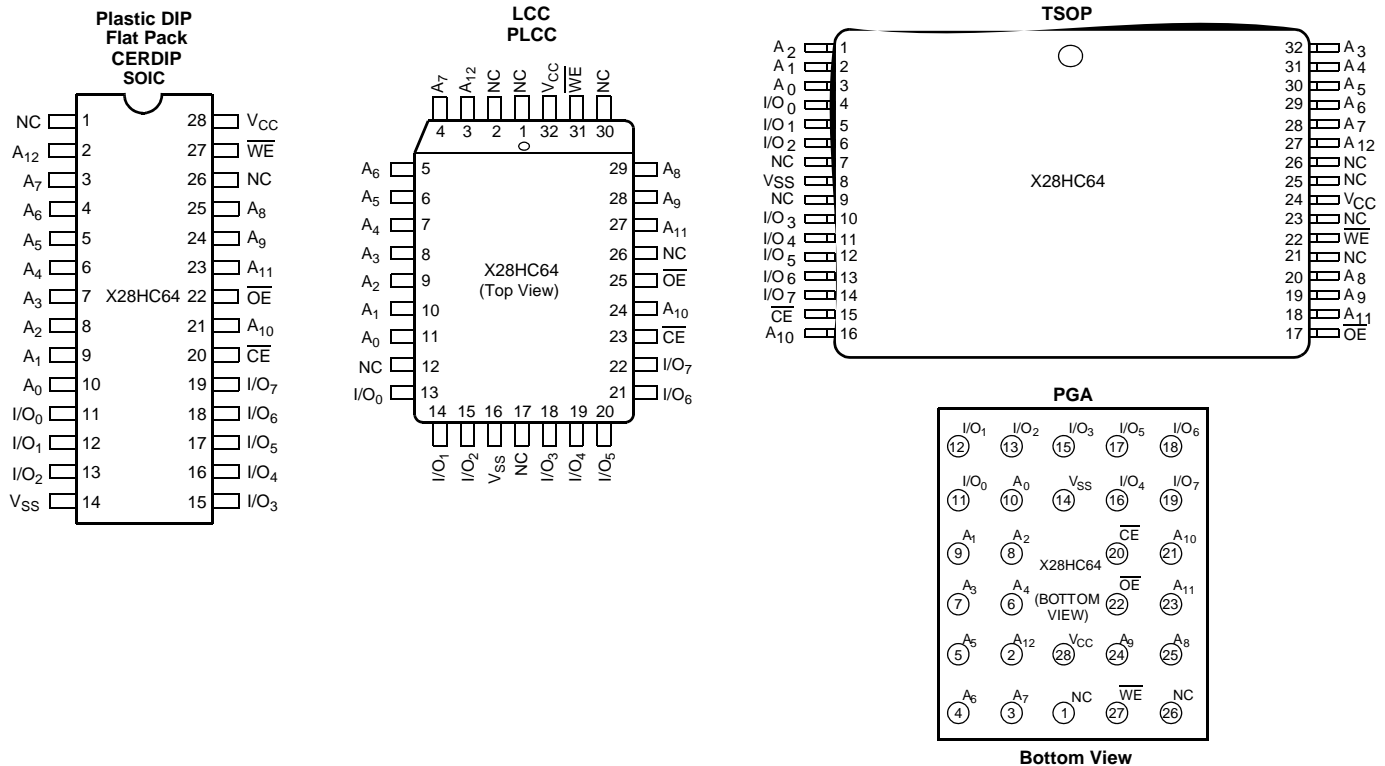
#### DESCRIPTION

The X28HC64 is an 8K x 8 EEPROM, fabricated with Intersil's proprietary, high performance, floating gate CMOS technology. Like all Intersil programmable non-volatile memories, the X28HC64 is a 5V only device. It features the JEDEC approved pinout for byte-wide memories, compatible with industry standard RAMs.

The X28HC64 supports a 64-byte page write operation, effectively providing a 32 $\mu$ s/byte write cycle, and enabling the entire memory to be typically written in 0.25 seconds. The X28HC64 also features DATA Polling and Toggle Bit Polling, two methods providing early end of write detection. In addition, the X28HC64 includes a user-optional software data protection mode that further enhances Intersil's hardware write protect capability.

Intersil EEPROMs are designed and tested for applications requiring extended endurance. Inherent data retention is greater than 100 years.

#### PIN CONFIGURATIONS



## X28HC64

### Ordering Information

PART NUMBER	PART MARKING	TEMPERATURE RANGE (°C)	ACCESS TIME (ns)	PACKAGE	PKG. DWG. #	
X28HC64EM-70	X28HC64EM-70	-55 to 125	70	32 Ld LCC (458 mil)		
X28HC64J-70*	X28HC64J-70	0 to 70		32 Ld PLCC	N32.45x55	
X28HC64JI-70*	X28HC64JI-70	-40 to 85		32 Ld PLCC	N32.45x55	
X28HC64JIZ-70* (Note)	X28HC64JI-70 Z	-40 to 85		32 Ld PLCC (Pb-free)	N32.45x55	
X28HC64JZ-70* (Note)	X28HC64J-70 Z	0 to 70		32 Ld PLCC (Pb-free)	N32.45x55	
X28HC64KM-70	X28HC64KM-70	-55 to 125		28 Ld PGA	G28.550x650A	
X28HC64P-70	X28HC64P-70	0 to 70		28 Ld PDIP	E28.6	
X28HC64PZ-70 (Note)	X28HC64P-70 Z	0 to 70		28 Ld PDIP** (Pb-free)	E28.6	
X28HC64S-70*	X28HC64S-70	0 to 70		28 Ld SOIC (300 mil)	M28.3	
X28HC64SI-70*	X28HC64SI-70	-40 to 85		28 Ld SOIC (300 mil)	M28.3	
X28HC64SM-70*	X28HC64SM-70	-55 to 125		28 Ld SOIC (300 mil)	M28.3	
X28HC64SZ-70 (Note)	X28HC64S-70 Z	0 to 70		28 Ld SOIC (300 mil) (Pb-free)	M28.3	
X28HC64J-90*	X28HC64J-90	0 to 70		90	32 Ld PLCC	N32.45x55
X28HC64JI-90*	X28HC64JI-90	-40 to 85			32 Ld PLCC	N32.45x55
X28HC64JIZ-90* (Note)	X28HC64JI-90 Z	-40 to 85	32 Ld PLCC (Pb-free)		N32.45x55	
X28HC64KM-90	X28HC64KM-90	-55 to 125	28 Ld PGA		G28.550x650A	
X28HC64KMB-90	C X28HC64KMB-90	MIL-STD-883	28 Ld PGA		G28.550x650A	
X28HC64P-90	X28HC64P-90	0 to 70	28 Ld PDIP		E28.6	
X28HC64PI-90	X28HC64PI-90	-40 to 85	28 Ld PDIP		E28.6	
X28HC64PIZ-90 (Note)	X28HC64PI-90 Z	-40 to 85	28 Ld PDIP** (Pb-free)		E28.6	
X28HC64PZ-90 (Note)	X28HC64P-90 Z	0 to 70	28 Ld PDIP** (Pb-free)		E28.6	
X28HC64S-90*	X28HC64S-90	0 to 70	28 Ld SOIC (300 mil)		M28.3	

## X28HC64

### Ordering Information (Continued)

PART NUMBER	PART MARKING	TEMPERATURE RANGE (°C)	ACCESS TIME (ns)	PACKAGE	PKG. DWG. #
X28HC64D-12	X28HC64D-12	0 to 70	120	28 Ld CERDIP	
X28HC64DI-12	X28HC64DI-12	-40 to 85		28 Ld CERDIP	
X28HC64DM-12	X28HC64DM-12	-55 to 125		28 Ld CERDIP	
X28HC64DMB-12	C X28HC64DMB-12	MIL-STD-883		28 Ld CERDIP	
X28HC64FM-12	X28HC64FM-12	-55 to 125		28 Ld FLATPACK (440 mil)	
X28HC64J-12*	X28HC64J-12	0 to 70		32 Ld PLCC	N32.45x55
X28HC64JI-12*	X28HC64JI-12	-40 to 85		32 Ld PLCC	N32.45x55
X28HC64JIZ-12* (Note)	X28HC64JI-12 Z	-40 to 85		32 Ld PLCC (Pb-free)	N32.45x55
X28HC64JZ-12* (Note)	X28HC64J-12 Z	0 to 70		32 Ld PLCC (Pb-free)	N32.45x55
X28HC64KMB-12	C X28HC64KMB-12	MIL-STD-883		28 Ld PGA	G28.550x650A
X28HC64P-12	X28HC64P-12	0 to 70		28 Ld PDIP	E28.6
X28HC64PI-12	X28HC64PI-12	-40 to 85		28 Ld PDIP	E28.6
X28HC64PIZ-12 (Note)	X28HC64PI-12 Z	-40 to 85		28 Ld PDIP** (Pb-free)	E28.6
X28HC64PZ-12 (Note)	X28HC64P-12 Z	0 to 70		28 Ld PDIP** (Pb-free)	E28.6
X28HC64S-12*	X28HC64S-12	0 to 70		28 Ld SOIC (300 mil)	M28.3
X28HC64SI-12*	X28HC64SI-12	-40 to 85		28 Ld SOIC (300 mil)	M28.3
X28HC64SIZ-12* (Note)	X28HC64SI-12 Z	-40 to 85		28 Ld SOIC (300 mil) (Pb-free)	M28.3
X28HC64SZ-12 (Note)	X28HC64S-12 Z	0 to 70		28 Ld SOIC (300 mil) (Pb-free)	M28.3
X28HC64DM-15	X28HC64DM-15	-55 to 125	150	28 Ld CERDIP	
X28HC64J-15T1	X28HC64J-15	0 to 70		32 Ld PLCC Tape and Reel	N32.45x55
X28HC64JI-15	X28HC64JI-15	-40 to 85		32 Ld PLCC	N32.45x55
X28HC64JM-15	X28HC64JM-15	-55 to 125		32 Ld PLCC	N32.45x55
X28HC64JZ-15* (Note)	X28HC64J-15 Z	0 to 70		32 Ld PLCC (Pb-free)	N32.45x55
X28HC64KMB-15	C X28HC64KMB-15	MIL-STD-883		28 Ld PGA	G28.550x650A
X28HC64P-15	X28HC64P-15	0 to 70		28 Ld PDIP	E28.6
X28HC64PIZ-15 (Note)	X28HC64PI-15 Z	-40 to 85		28 Ld PDIP** (Pb-free)	E28.6
X28HC64PZ-15 (Note)	X28HC64P-15 Z	0 to 70		28 Ld PDIP** (Pb-free)	E28.6
X28HC64S-15	X28HC64S-15	0 to 70		28 Ld SOIC (300 mil)	M28.3
X28HC64SI-15	X28HC64SI-15	-40 to 85		28 Ld SOIC (300 mil)	M28.3

\*Add "T1" suffix for tape and reel.

\*\*Pb-free PDIPs can be used for through hole wave solder processing only. They are not intended for use in Reflow solder processing applications.

NOTE: Intersil Pb-free plus anneal products employ special Pb-free material sets; molding compounds/die attach materials and 100% matte tin plate termination finish, which are RoHS compliant and compatible with both SnPb and Pb-free soldering operations. Intersil Pb-free products are MSL classified at Pb-free peak reflow temperatures that meet or exceed the Pb-free requirements of IPC/JEDEC J STD-020.

# X28HC64

## PIN DESCRIPTIONS

### Addresses ( $A_0$ - $A_{12}$ )

The Address inputs select an 8-bit memory location during a read or write operation.

### Chip Enable ( $\overline{CE}$ )

The Chip Enable input must be LOW to enable all read/write operations. When  $\overline{CE}$  is HIGH, power consumption is reduced.

### Output Enable ( $\overline{OE}$ )

The Output Enable input controls the data output buffers and is used to initiate read operations.

### Data In/Data Out ( $I/O_0$ - $I/O_7$ )

Data is written to or read from the X28HC64 through the I/O pins.

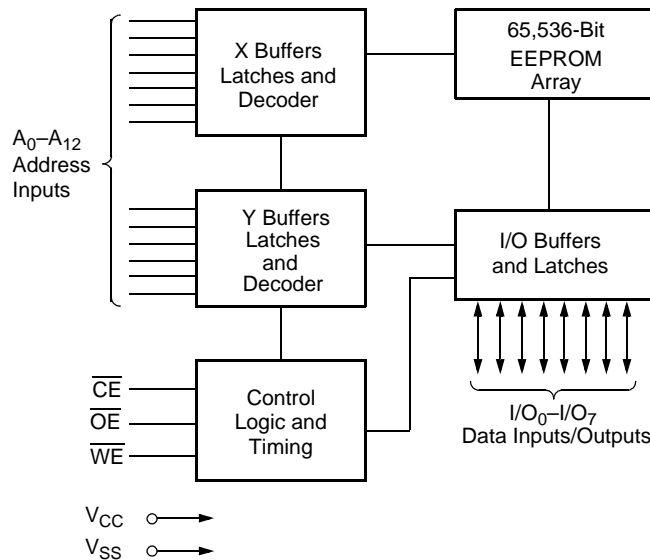
### Write Enable ( $\overline{WE}$ )

The Write Enable input controls the writing of data to the X28HC64.

## PIN NAMES

Symbol	Description
$A_0$ - $A_{12}$	Address Inputs
$I/O_0$ - $I/O_7$	Data Input/Output
WE	Write Enable
CE	Chip Enable
OE	Output Enable
$V_{CC}$	+5V
$V_{SS}$	Ground
NC	No Connect

## BLOCK DIAGRAM



## DEVICE OPERATION

### Read

Read operations are initiated by both  $\overline{OE}$  and  $\overline{CE}$  LOW. The read operation is terminated by either  $\overline{CE}$  or  $\overline{OE}$  returning HIGH. This two line control architecture eliminates bus contention in a system environment. The data bus will be in a high impedance state when either  $\overline{OE}$  or  $\overline{CE}$  is HIGH.

### Write

Write operations are initiated when both  $\overline{CE}$  and  $\overline{WE}$  are LOW and  $\overline{OE}$  is HIGH. The X28HC64 supports both a  $\overline{CE}$  and  $\overline{WE}$  controlled write cycle. That is, the address is latched by the falling edge of either  $\overline{CE}$  or  $\overline{WE}$ , whichever occurs last. Similarly, the data is latched internally by the rising edge of either  $\overline{CE}$  or  $\overline{WE}$ , whichever occurs first. A byte write operation, once initiated, will automatically continue to completion, typically within 2ms.

### Page Write Operation

The page write feature of the X28HC64 allows the entire memory to be written in 0.25 seconds. Page write allows two to sixty-four bytes of data to be consecutively written to the X28HC64 prior to the commencement of the internal programming cycle. The host can fetch data from another device within the system during a page write operation (change the source address), but the page address ( $A_6$  through  $A_{12}$ ) for each subsequent valid write cycle to the part during this operation must be the same as the initial page address.

The page write mode can be initiated during any write operation. Following the initial byte write cycle, the host can write an additional one to sixty-three bytes in the same manner. Each successive byte load cycle, started by the  $\overline{WE}$  HIGH to LOW transition, must begin within 100 $\mu$ s of the falling edge of the preceding  $\overline{WE}$ . If a subsequent  $\overline{WE}$  HIGH to LOW transition is not detected within 100 $\mu$ s, the internal automatic programming cycle will commence. There is no page write window limitation. Effectively the page write window is infinitely wide, so long as the host continues to access the device within the byte load cycle time of 100 $\mu$ s.

### Write Operation Status Bits

The X28HC64 provides the user two write operation status bits. These can be used to optimize a system write cycle time. The status bits are mapped onto the I/O bus as shown in Figure 1.

Figure 1. Status Bit Assignment



### $\overline{DATA}$ Polling ( $I/O_7$ )

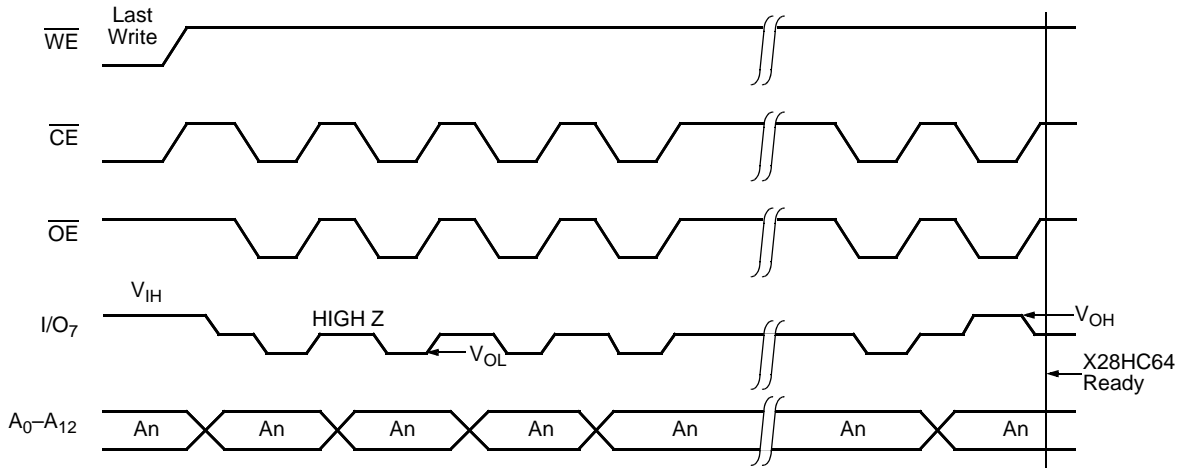
The X28HC64 features  $\overline{DATA}$  Polling as a method to indicate to the host system that the byte write or page write cycle has completed.  $\overline{DATA}$  Polling allows a simple bit test operation to determine the status of the X28HC64, eliminating additional interrupt inputs or external hardware. During the internal programming cycle, any attempt to read the last byte written will produce the complement of that data on  $I/O_7$  (i.e. write data = 0xxx xxxx, read data = 1xxx xxxx). Once the programming cycle is complete,  $I/O_7$  will reflect true data.

### Toggle Bit ( $I/O_6$ )

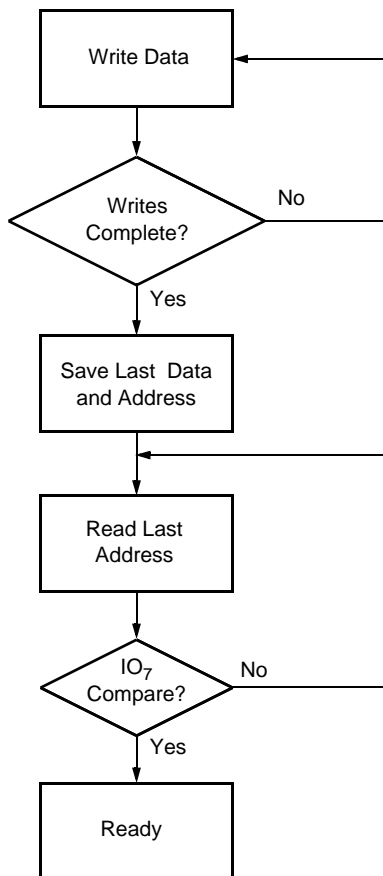
The X28HC64 also provides another method for determining when the internal write cycle is complete. During the internal programming cycle  $I/O_6$  will toggle from HIGH to LOW and LOW to HIGH on subsequent attempts to read the device. When the internal cycle is complete the toggling will cease and the device will be accessible for additional read or write operations.

**DATA POLLING I/O<sub>7</sub>**

**Figure 2. DATA Polling Bus Sequence**



**Figure 3. DATA Polling Software Flow**



DATA Polling can effectively reduce the time for writing to the X28HC64. The timing diagram in Figure 2 illustrates the sequence of events on the bus. The software flow diagram in Figure 3 illustrates one method of implementing the routine.

THE TOGGLE BIT I/O<sub>6</sub>

Figure 4. Toggle Bit Bus Sequence

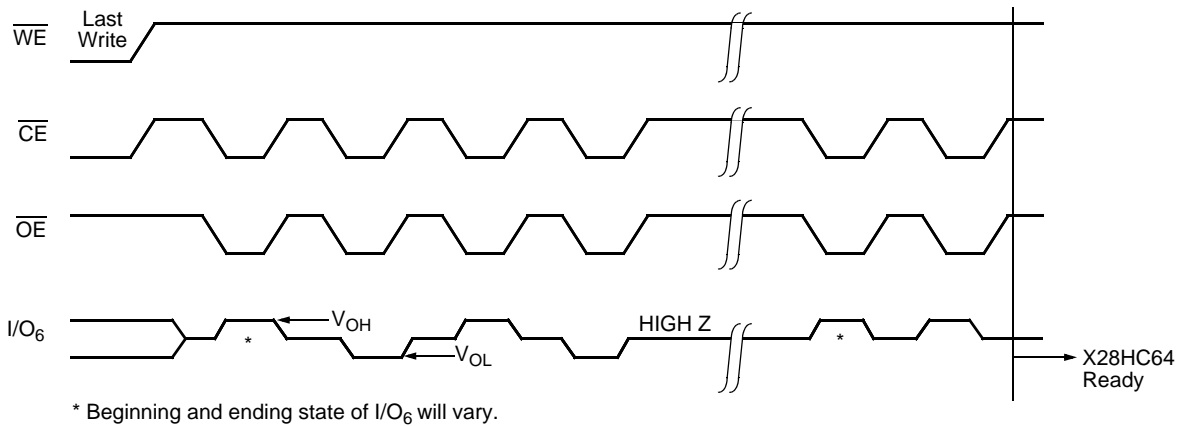
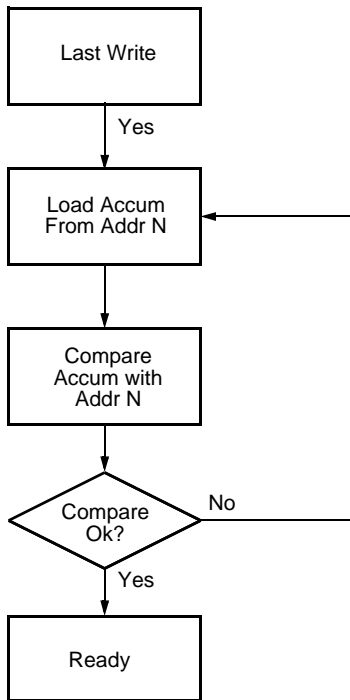


Figure 5. Toggle Bit Software Flow



The Toggle Bit can eliminate the chore of saving and fetching the last address and data in order to implement DATA Polling. This can be especially helpful in an array comprised of multiple X28HC64 memories that is frequently updated. Toggle Bit Polling can also provide a method for status checking in multiprocessor applications. The timing diagram in Figure 4 illustrates the sequence of events on the bus. The software flow diagram in Figure 5 illustrates a method for polling the Toggle Bit.

### HARDWARE DATA PROTECTION

The X28HC64 provides two hardware features that protect nonvolatile data from inadvertent writes.

- Default  $V_{CC}$  Sense—All write functions are inhibited when  $V_{CC}$  is 3V typically.
- Write Inhibit—Holding either  $\overline{OE}$  LOW,  $\overline{WE}$  HIGH, or  $\overline{CE}$  HIGH will prevent an inadvertent write cycle during power-up and power-down, maintaining data integrity.

### SOFTWARE DATA PROTECTION

The X28HC64 offers a software controlled data protection feature. The X28HC64 is shipped from Intersil with the software data protection NOT ENABLED; that is, the device will be in the standard operating mode. In this mode data should be protected during power-up/down operations through the use of external circuits. The host would then have open read and write access of the device once  $V_{CC}$  was stable.

The X28HC64 can be automatically protected during power-up and power-down without the need for external circuits by employing the software data protection feature. The internal software data protection circuit is enabled after the first write operation utilizing the software algorithm. This circuit is nonvolatile and will remain set for the life of the device, unless the reset command is issued.

Once the software protection is enabled, the X28HC64 is also protected from inadvertent and accidental writes in the powered-up state. That is, the software algorithm must be issued prior to writing additional data to the device.

### SOFTWARE ALGORITHM

Selecting the software data protection mode requires the host system to precede data write operations by a series of three write operations to three specific addresses. Refer to Figure 6 and 7 for the sequence. The three-byte sequence opens the page write window, enabling the host to write from one to sixty-four bytes of data. Once the page load cycle has been completed, the device will automatically be returned to the data protected state.



SOFTWARE DATA PROTECTION

Figure 6. Timing Sequence—Byte or Page Write

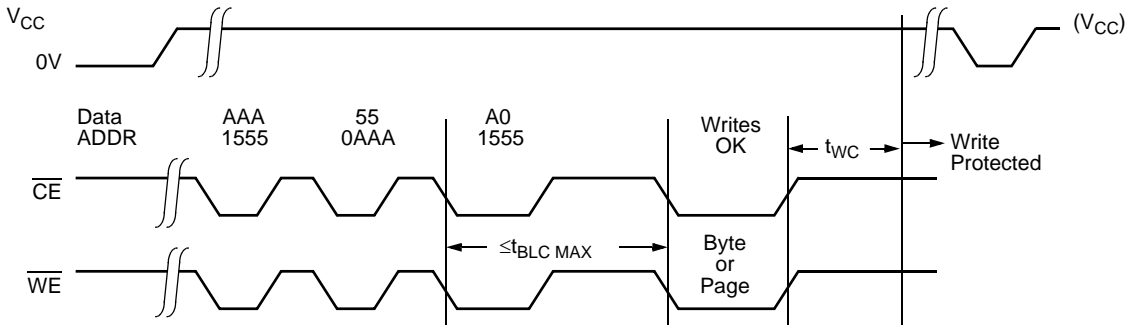
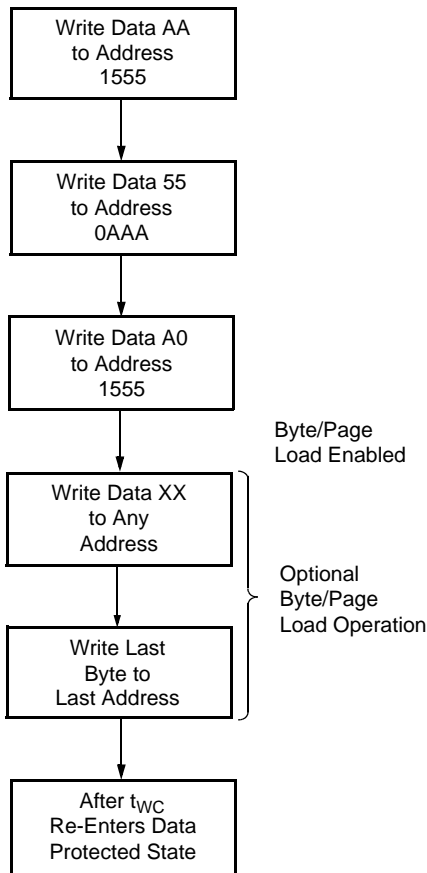


Figure 7. Write Sequence for Software Data Protection



Regardless of whether the device has previously been protected or not, once the software data protection algorithm is used, the X28HC64 will automatically disable further writes unless another command is issued to deactivate it. If no further commands are issued the X28HC64 will be write protected during power-down and after any subsequent power-up.

**Note:** Once initiated, the sequence of write operations should not be interrupted.

RESETTING SOFTWARE DATA PROTECTION

Figure 8. Reset Software Data Protection Timing Sequence

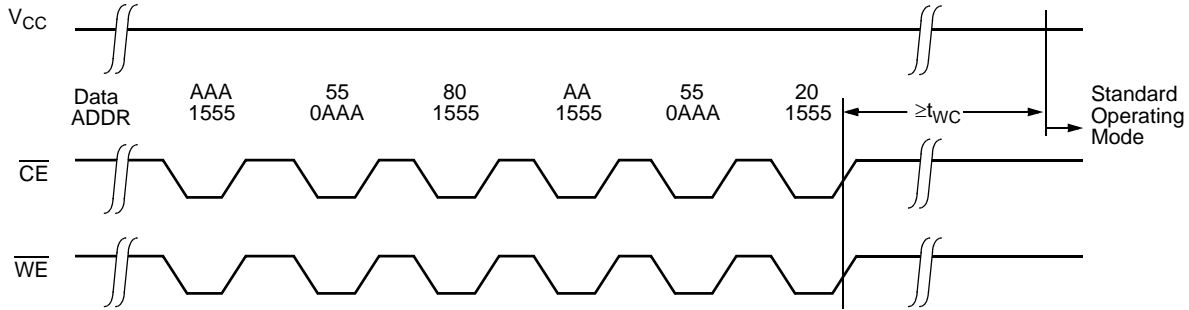
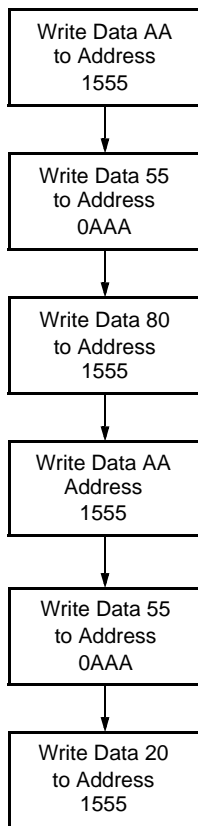


Figure 9. Software Sequence to Deactivate Software Data Protection



In the event the user wants to deactivate the software data protection feature for testing or reprogramming in an EEPROM programmer, the following six step algorithm will reset the internal protection circuit. After  $t_{WC}$ , the X28HC64 will be in standard operating mode.

**Note:** Once initiated, the sequence of write operations should not be interrupted.

**SYSTEM CONSIDERATIONS**

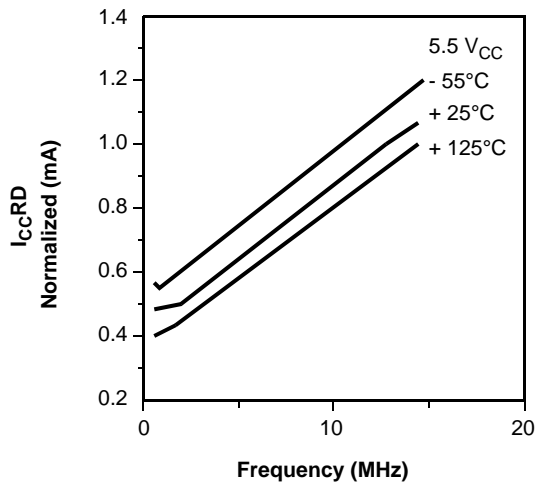
Because the X28HC64 is frequently used in large memory arrays, it is provided with a two-line control architecture for both read and write operations. Proper usage can provide the lowest possible power dissipation, and eliminate the possibility of contention where multiple I/O pins share the same bus.

To gain the most benefit, it is recommended that  $\overline{CE}$  be decoded from the address bus, and be used as the primary device selection input. Both  $\overline{OE}$  and  $\overline{WE}$  would then be common among all devices in the array. For a read operation, this assures that all deselected devices are in their standby mode, and that only the selected device(s) is/are outputting data on the bus.

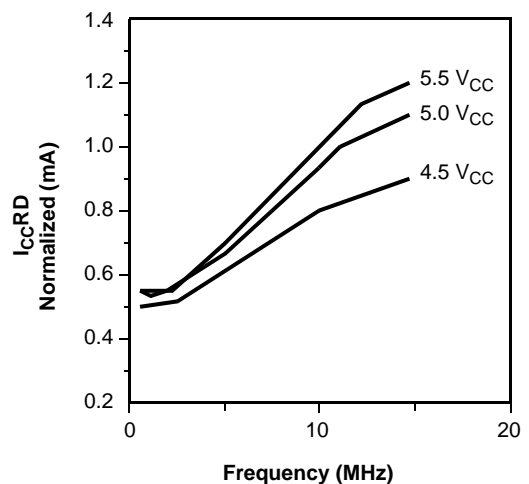
Because the X28HC64 has two power modes, standby and active, proper decoupling of the memory array is of prime concern. Enabling  $\overline{CE}$  will cause transient current spikes. The magnitude of these spikes is dependent on the output capacitive loading of the I/Os. Therefore, the larger the array sharing a common bus, the larger the transient spikes. The voltage peaks associated with the current transients can be suppressed by the proper selection and placement of decoupling capacitors. As a minimum, it is recommended that a 0.1 $\mu$ F high frequency ceramic capacitor be used between  $V_{CC}$  and  $V_{SS}$  at each device. Depending on the size of the array, the value of the capacitor may have to be larger.

In addition, it is recommended that a 4.7 $\mu$ F electrolytic bulk capacitor be placed between  $V_{CC}$  and  $V_{SS}$  for each eight devices employed in the array. This bulk capacitor is employed to overcome the voltage droop caused by the inductive effects of the PC board traces.

**Normalized  $I_{CC(RD)}$  by Temperature Over Frequency**



**Normalized  $I_{CC(RD)}$  @ 25% Over the  $V_{CC}$  Range and Frequency**



## X28HC64

### ABSOLUTE MAXIMUM RATINGS

Temperature under bias  
 X28HC64 ..... -10°C to +85°C  
 X28HC64I, X28HC64M ..... -65°C to +135°C  
 Storage temperature..... -65°C to +150°C  
 Voltage on any pin with  
 respect to  $V_{SS}$  ..... -1V to +7V  
 D.C. output current ..... 5mA  
 Lead temperature  
 (soldering, 10 seconds)..... 300°C

### COMMENT

Stresses above those listed under “Absolute Maximum Ratings” may cause permanent damage to the device. This is a stress rating only; functional operation of the device (at these or any other conditions above those indicated in the operational sections of this specification) is not implied. Exposure to absolute maximum rating conditions for extended periods may affect device reliability.

### RECOMMENDED OPERATING CONDITIONS

Temperature	Min.	Max.
Commercial	0°C	+70°C
Industrial	-40°C	+85°C
Military	-55°C	+125°C

Supply Voltage	Limits
X28HC64	5V ±10%

### D.C. OPERATING CHARACTERISTICS (Over recommended operating conditions unless otherwise specified.)

Symbol	Parameter	Limits			Unit	Test Conditions
		Min.	Typ. <sup>(1)</sup>	Max.		
$I_{CC}$	$V_{CC}$ current (active) (TTL inputs)		15	40	mA	$\overline{CE} = \overline{OE} = V_{IL}$ , $\overline{WE} = V_{IH}$ , All I/O's = open, address inputs = TTL levels @ f = 10 MHz
$I_{SB1}$	$V_{CC}$ current (standby) (TTL inputs)		1	2	mA	$\overline{CE} = V_{IH}$ , $\overline{OE} = V_{IL}$ All I/O's = open, other inputs = $V_{IH}$
$I_{SB2}$	$V_{CC}$ current (standby) (CMOS inputs)		100	200	µA	$\overline{CE} = V_{CC} - 0.3V$ , $\overline{OE} = GND$ , All I/O's = open, other inputs = $V_{CC} - 0.3V$
$I_{LI}$	Input leakage current			±10	µA	$V_{IN} = V_{SS}$ to $V_{CC}$
$I_{LO}$	Output leakage current			±10	µA	$V_{OUT} = V_{SS}$ to $V_{CC}$ , $\overline{CE} = V_{IH}$
$V_{IL}^{(2)}$	Input LOW voltage	-1		0.8	V	
$V_{IH}^{(2)}$	Input HIGH voltage	2		$V_{CC} + 1$	V	
$V_{OL}$	Output LOW voltage			0.4	V	$I_{OL} = 5mA$
$V_{OH}$	Output HIGH voltage	2.4			V	$I_{OH} = -5mA$

Notes: (1) Typical values are for  $T_A = 25^\circ C$  and nominal supply voltage  
 (2)  $V_{IL}$  min. and  $V_{IH}$  max. are for reference only and are not tested.

**ENDURANCE AND DATA RETENTION**

Parameter	Min.	Max.	Unit
Minimum endurance	100,000		Cycles
Data retention	100		Years

**POWER-UP TIMING**

Symbol	Parameter	Typ. <sup>(1)</sup>	Unit
t <sub>PUR</sub> <sup>(3)</sup>	Power-up to read operation	100	µs
t <sub>PUW</sub> <sup>(3)</sup>	Power-up to write operation	5	ms

**CAPACITANCE** T<sub>A</sub> = +25°C, f = 1MHz, V<sub>CC</sub> = 5V

Symbol	Parameter	Max.	Unit	Test Conditions
C <sub>I/O</sub> <sup>(3)</sup>	Input/output capacitance	10	pF	V <sub>I/O</sub> = 0V
C <sub>IN</sub> <sup>(3)</sup>	Input capacitance	6	pF	V <sub>IN</sub> = 0V

**A.C. CONDITIONS OF TEST**

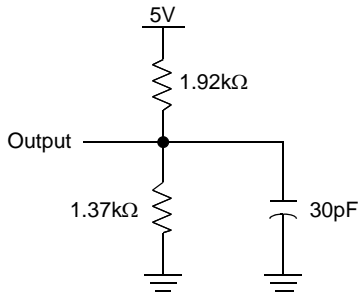
Input pulse levels	0V to 3V
Input rise and fall times	5ns
Input and output timing levels	1.5V

**MODE SELECTION**

CE	OE	WE	Mode	I/O	Power
L	L	H	Read	D <sub>OUT</sub>	Active
L	H	L	Write	D <sub>IN</sub>	Active
H	X	X	Standby and write inhibit	High Z	Standby
X	L	X	Write inhibit	—	—
X	X	H	Write inhibit	—	—

Note: (3) This parameter is periodically sampled and not 100% tested.

**EQUIVALENT A.C. LOAD CIRCUITS**



**SYMBOL TABLE**

WAVEFORM	INPUTS	OUTPUTS
	Must be steady	Will be steady
	May change from LOW to HIGH	Will change from LOW to HIGH
	May change from HIGH to LOW	Will change from HIGH to LOW
	Don't Care: Changes Allowed	Changing: State Not Known
	N/A	Center Line is High Impedance

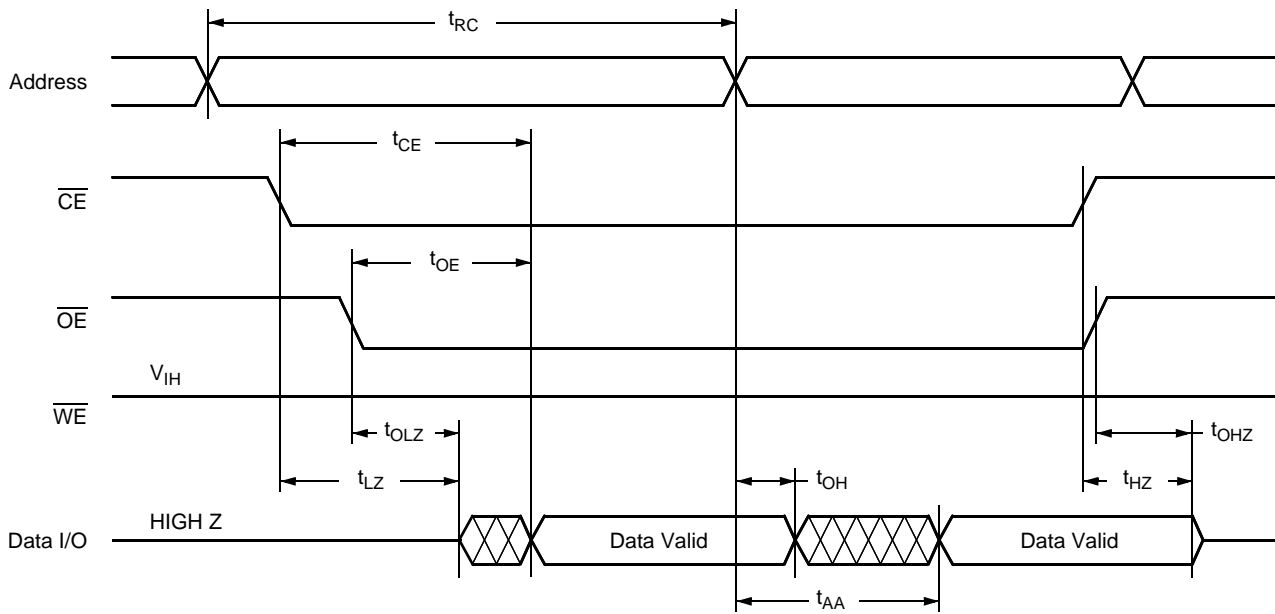
## X28HC64

### A.C. CHARACTERISTICS (Over the recommended operating conditions unless otherwise specified.)

#### Read Cycle Limits

Symbol	Parameter	X28HC64-70		X28HC64-90		X28HC64-12		Unit
		-55°C to +125°C		-55°C to +125°C		-55°C to +125°C		
		Min.	Max.	Min.	Max.	Min.	Max.	
$t_{RC}$	Read cycle time	70		90		120		ns
$t_{CE}$	Chip enable access time		70		90		120	ns
$t_{AA}$	Address access time		70		90		120	ns
$t_{OE}$	Output enable access time		35		40		50	ns
$t_{LZ}^{(4)}$	$\overline{CE}$ LOW to active output	0		0		0		ns
$t_{OLZ}^{(4)}$	$\overline{OE}$ LOW to active output	0		0		0		ns
$t_{HZ}^{(4)}$	$\overline{CE}$ HIGH to high Z output		30		30		30	ns
$t_{OHZ}^{(4)}$	$\overline{OE}$ HIGH to high Z output		30		30		30	ns
$t_{OH}$	Output hold from address change	0		0		0		ns

#### Read Cycle

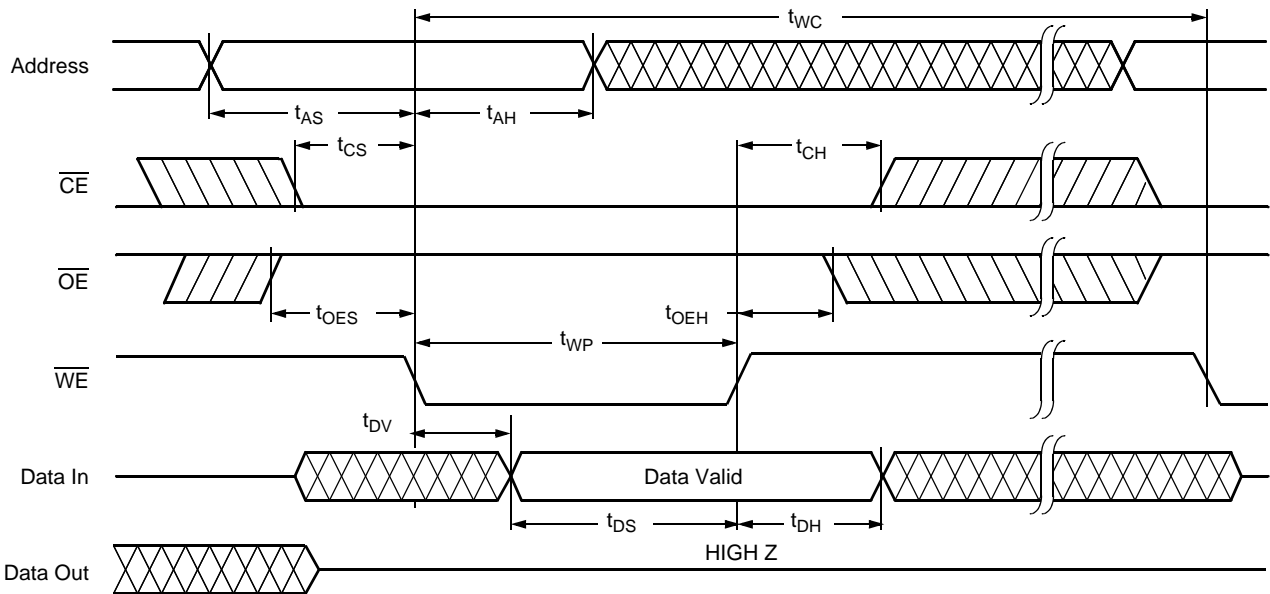


Note: (4)  $t_{LZ}$  min.,  $t_{HZ}$ ,  $t_{OLZ}$  min., and  $t_{OHZ}$  are periodically sampled and not 100% tested.  $t_{HZ}$  max. and  $t_{OHZ}$  max. are measured from the point when  $\overline{CE}$  or  $\overline{OE}$  return HIGH (whichever occurs first) to the time when the outputs are no longer driven.

**WRITE CYCLE LIMITS**

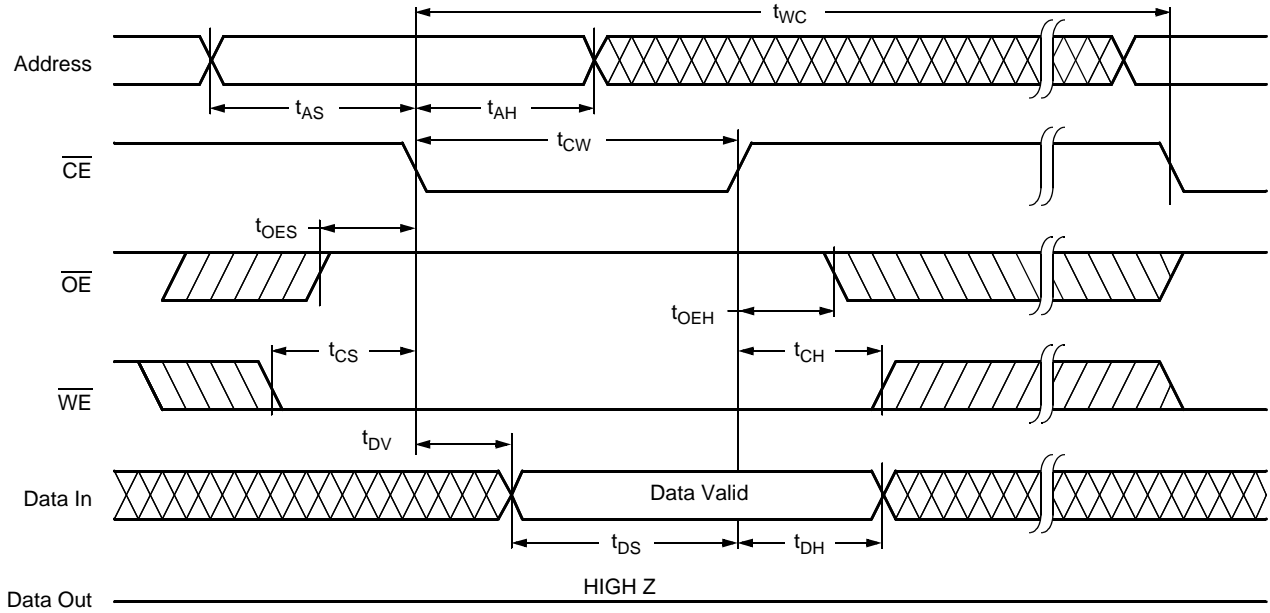
Symbol	Parameter	Min.	Typ. <sup>(1)</sup>	Max.	Unit
$t_{WC}^{(5)}$	Write cycle time		2	5	ms
$t_{AS}$	Address setup time	0			ns
$t_{AH}$	Address hold time	50			ns
$t_{CS}$	Write setup time	0			ns
$t_{CH}$	Write hold time	0			ns
$t_{CW}$	$\overline{CE}$ pulse width	50			ns
$t_{OES}$	$\overline{OE}$ High setup time	0			ns
$t_{OEH}$	$\overline{OE}$ High hold time	0			ns
$t_{WP}$	$\overline{WE}$ pulse width	50			ns
$t_{WPH}^{(6)}$	$\overline{WE}$ HIGH recovery	50			ns
$t_{DV}^{(6)}$	Data valid			1	$\mu$ s
$t_{DS}$	Data setup	50			ns
$t_{DH}$	Data hold	0			ns
$t_{DW}^{(6)}$	Delay to next write	10			$\mu$ s
$t_{BLC}$	Byte load cycle	0.15		100	$\mu$ s

**$\overline{WE}$  Controlled Write Cycle**

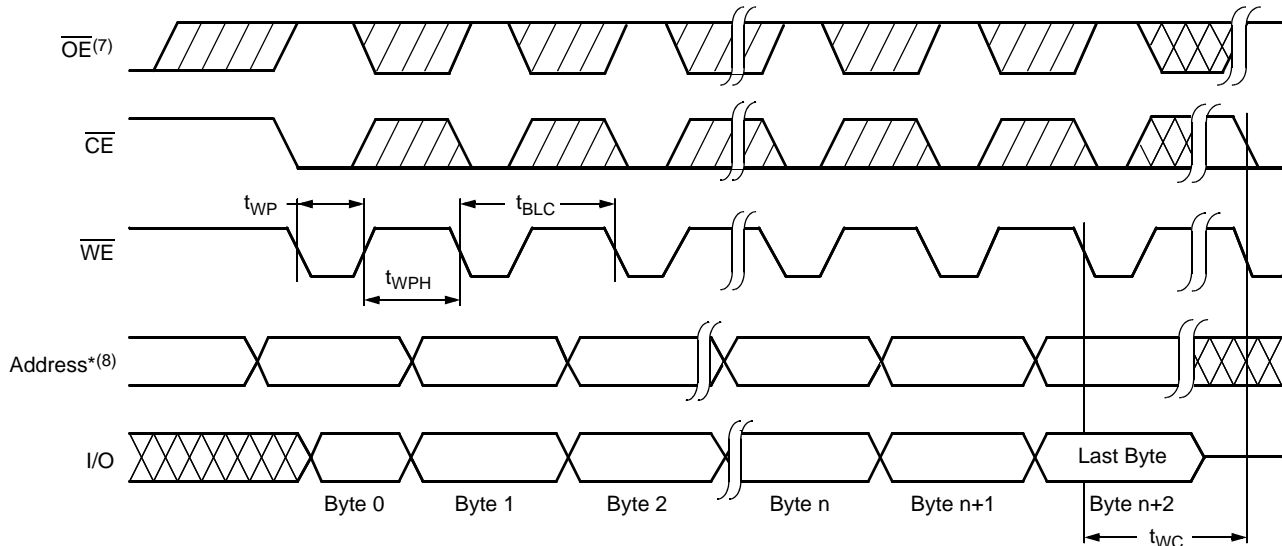


Notes: (5)  $t_{WC}$  is the minimum cycle time to be allowed from the system perspective unless polling techniques are used. It is the maximum time the device requires to automatically complete the internal write operation.  
 (6)  $t_{WPH}$  and  $t_{DW}$  are periodically sampled and not 100% tested.

**$\overline{\text{CE}}$  CONTROLLED WRITE CYCLE**



**Page Write Cycle**



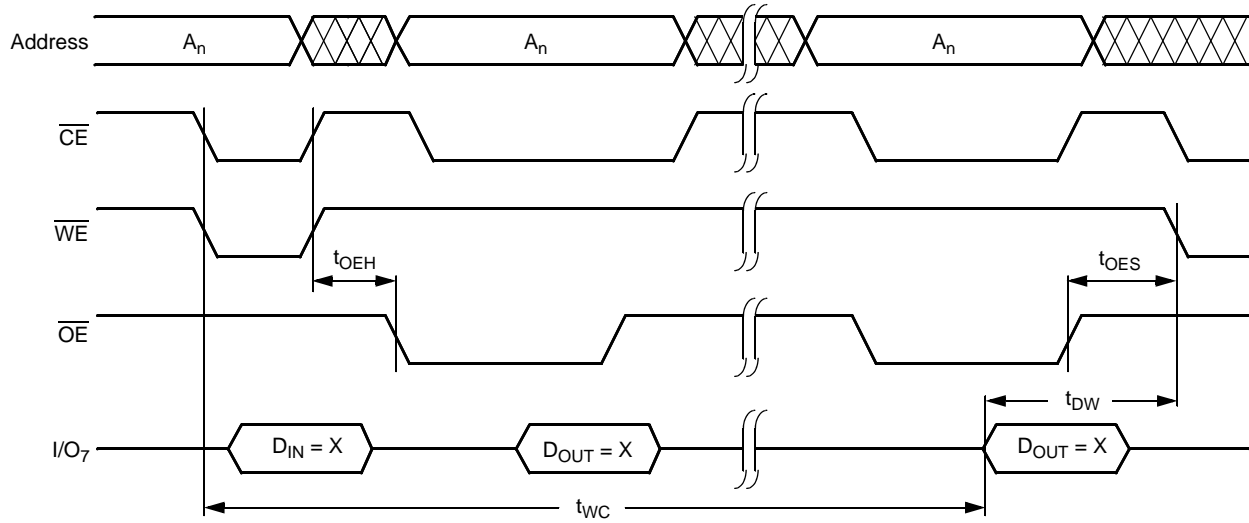
\*For each successive write within the page write operation,  $A_6$ - $A_{12}$  should be the same or writes to an unknown address could occur.

Notes: (7) Between successive byte writes within a page write operation,  $\overline{\text{OE}}$  can be strobed LOW: e.g. this can be done with  $\overline{\text{CE}}$  and  $\overline{\text{WE}}$  HIGH to fetch data from another memory device within the system for the next write; or with  $\overline{\text{WE}}$  HIGH and  $\overline{\text{CE}}$  LOW effectively performing a polling operation.

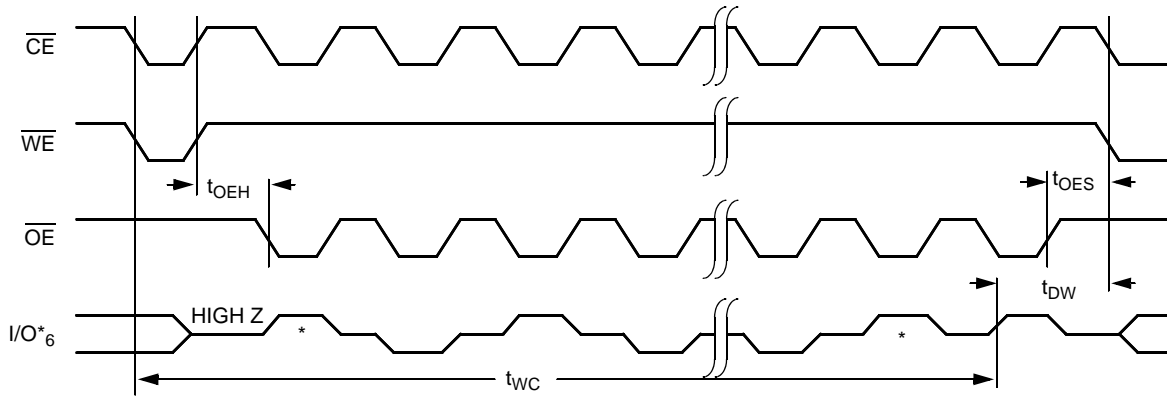
(8) The timings shown above are unique to page write operations. Individual byte load operations within the page write must conform to either the  $\overline{\text{CE}}$  or  $\overline{\text{WE}}$  controlled write cycle timing.



**DATA Polling Timing Diagram<sup>(9)</sup>**



**Toggle Bit Timing Diagram<sup>(9)</sup>**



\*  $I/O_6$  beginning and ending state will vary, depending upon actual  $t_{WC}$ .

Note: (9) Polling operations are by definition read cycles and are therefore subject to read cycle timings.

All Intersil U.S. products are manufactured, assembled and tested utilizing ISO9000 quality systems.  
Intersil Corporation's quality certifications can be viewed at [www.intersil.com/design/quality](http://www.intersil.com/design/quality)






*Intersil products are sold by description only. Intersil Corporation reserves the right to make changes in circuit design, software and/or specifications at any time without notice. Accordingly, the reader is cautioned to verify that data sheets are current before placing orders. Information furnished by Intersil is believed to be accurate and reliable. However, no responsibility is assumed by Intersil or its subsidiaries for its use; nor for any infringements of patents or other rights of third parties which may result from its use. No license is granted by implication or otherwise under any patent or patent rights of Intersil or its subsidiaries.*

For information regarding Intersil Corporation and its products, see [www.intersil.com](http://www.intersil.com)

## X28HC64

[Printer Friendly Version](#)

64K, 8K x 8 Bit; 5 Volt, Byte Alterable EEPROM

 <a href="#">Datasheets, Related Docs &amp; Simulations</a>	 <a href="#">Description</a>	 <a href="#">Key Features</a>	 <a href="#">Parametric Data</a>	 <a href="#">Related Devices</a>
--	---	--	---	---

### Ordering Information

 **RoHS/Pb-Free/Green Device**

Part No.	Design-In Status	Temp.	Package	Price MSL	US \$	
X28HC64D-12	Active	Comm	<a href="#">28 Ld CerDIP</a>	N/A	13.06	<a href="#">Buy</a>
X28HC64DI-12	Active	Ind	<a href="#">28 Ld CerDIP</a>	N/A	13.61	<a href="#">Buy</a>
X28HC64DM	Active	Mil	<a href="#">28 Ld CerDIP</a>	N/A		<a href="#">Buy</a>
X28HC64DM-12	Active	Mil	<a href="#">28 Ld CerDIP</a>	N/A	9.24	<a href="#">Buy</a>
X28HC64DM-15	Active	Mil	<a href="#">28 Ld CerDIP</a>	N/A	8.84	<a href="#">Buy</a>
X28HC64DMB-12	Active	Mil	<a href="#">28 Ld CerDIP</a>	N/A		<a href="#">Buy</a>
X28HC64EM-70	Active	Mil	<a href="#">32 Ld LCC</a>	N/A		<a href="#">Buy</a>
X28HC64FM-12	Active	Mil	<a href="#">28 Ld FlatPack</a>	N/A		<a href="#">Buy</a>
X28HC64J-12	Active	Comm	<a href="#">32 Ld PLCC</a>	3	3.87	<a href="#">Buy</a>
X28HC64J-12T1	Active	Comm	<a href="#">32 Ld PLCC T+R</a>	3	3.87	<a href="#">Buy</a>
X28HC64J-15T1	Active	Comm	<a href="#">32 Ld PLCC T+R</a>	3		<a href="#">Buy</a>
X28HC64J-70	Active	Comm	<a href="#">32 Ld PLCC</a>	3	5.53	<a href="#">Buy</a>
X28HC64J-70T1	Active	Comm	<a href="#">32 Ld PLCC T+R</a>	3	5.53	<a href="#">Buy</a>
X28HC64J-90	Active	Comm	<a href="#">32 Ld PLCC</a>	3	5.22	<a href="#">Buy</a>
X28HC64J-90T1	Active	Comm	<a href="#">32 Ld PLCC T+R</a>	3	5.22	<a href="#">Buy</a>
X28HC64JI-12	Active	Ind	<a href="#">32 Ld PLCC</a>	3	4.17	<a href="#">Buy</a>
X28HC64JI-12T1	Active	Ind	<a href="#">32 Ld PLCC T+R</a>	3	4.17	<a href="#">Buy</a>
X28HC64JI-12T2	Active	Ind	<a href="#">32 Ld PLCC T+R</a>	3	4.17	<a href="#">Buy</a>
X28HC64JI-15	Active	Ind	<a href="#">32 Ld PLCC</a>	3	5.33	<a href="#">Buy</a>
X28HC64JI-70	Active	Ind	<a href="#">32 Ld PLCC</a>	3	4.72	<a href="#">Buy</a>
X28HC64JI-70T1	Active	Ind	<a href="#">32 Ld PLCC T+R</a>	3	4.72	<a href="#">Buy</a>
X28HC64JI-90	Active	Ind	<a href="#">32 Ld PLCC</a>	3	4.44	<a href="#">Buy</a>
X28HC64JI-90T1	Active	Ind	<a href="#">32 Ld PLCC</a>	3	4.44	<a href="#">Buy</a>
X28HC64JI-90T2	Active	Ind	<a href="#">32 Ld PLCC T+R</a>	3	4.44	<a href="#">Buy</a>
X28HC64JIZ-12 	Active	Ind	<a href="#">32 Ld PLCC</a>	3	4.17	<a href="#">Buy</a>
X28HC64JIZ-12T1 	Active	Ind	<a href="#">32 Ld PLCC T+R</a>	3	4.17	<a href="#">Buy</a>
X28HC64JIZ-70 	Active	Ind	<a href="#">32 Ld PLCC</a>	3	4.72	<a href="#">Buy</a>
X28HC64JIZ-70T1 	Active	Ind	<a href="#">32 Ld PLCC T+R</a>	3	4.72	<a href="#">Buy</a>
X28HC64JIZ-90 	Active	Ind	<a href="#">32 Ld PLCC</a>	3	4.44	<a href="#">Buy</a>
X28HC64JIZ-90T1 	Active	Ind	<a href="#">32 Ld PLCC T+R</a>	3	4.44	<a href="#">Buy</a>
X28HC64JM-15	Active	Mil	<a href="#">32 Ld PLCC</a>	3		<a href="#">Buy</a>
X28HC64JZ-12 	Active	Comm	<a href="#">32 Ld PLCC</a>	3	3.87	<a href="#">Buy</a> <a href="#">Sample</a>
X28HC64JZ-12T1 	Active	Comm	<a href="#">32 Ld PLCC T+R</a>	3	3.87	<a href="#">Buy</a>

X28HC64JZ-15 	Active	Comm	<a href="#">32 Ld PLCC</a>	3		<a href="#">Buy</a>	<a href="#">Sample</a>
X28HC64JZ-15T1 	Active	Comm	<a href="#">32 Ld PLCC T+R</a>	3		<a href="#">Buy</a>	
X28HC64JZ-70 	Active	Comm	<a href="#">32 Ld PLCC</a>	3	5.53	<a href="#">Buy</a>	
X28HC64JZ-70T1 	Active	Comm	<a href="#">32 Ld PLCC T+R</a>	3	5.53	<a href="#">Buy</a>	
X28HC64KM-70	Active	Mil	<a href="#">28 Ld PGA</a>	N/A		<a href="#">Buy</a>	
X28HC64KM-90	Active	Mil	<a href="#">28 Ld PGA</a>	N/A		<a href="#">Buy</a>	
X28HC64KMB-12 	Active	Mil	<a href="#">28 Ld PGA</a>	N/A		<a href="#">Buy</a>	
X28HC64KMB-15 	Active	Mil	<a href="#">28 Ld PGA</a>	N/A	68.79	<a href="#">Buy</a>	
X28HC64KMB-90 	Active	Mil	<a href="#">28 Ld PGA</a>	N/A		<a href="#">Buy</a>	
X28HC64P-12	Active	Comm	<a href="#">28 Ld PDIP</a>	N/A	2.28	<a href="#">Buy</a>	
X28HC64P-15	Active	Comm	<a href="#">28 Ld PDIP</a>	N/A	4.73	<a href="#">Buy</a>	
X28HC64P-70	Active	Comm	<a href="#">28 Ld PDIP</a>	N/A	5.76	<a href="#">Buy</a>	
X28HC64P-90	Active	Comm	<a href="#">28 Ld PDIP</a>	N/A	5.00	<a href="#">Buy</a>	
X28HC64PI-12	Active	Ind	<a href="#">28 Ld PDIP</a>	N/A	3.52	<a href="#">Buy</a>	
X28HC64PI-90	Active	Ind	<a href="#">28 Ld PDIP</a>	N/A	5.60	<a href="#">Buy</a>	
X28HC64PIZ-12 	Active	Ind	<a href="#">28 Ld PDIP</a>	N/A	3.52	<a href="#">Buy</a>	
X28HC64PIZ-15 	Active	Ind	<a href="#">28 Ld PDIP</a>	N/A	3.50	<a href="#">Buy</a>	
X28HC64PIZ-90 	Active	Ind	<a href="#">28 Ld PDIP</a>	N/A	5.60	<a href="#">Buy</a>	
X28HC64PZ-12 	Active	Comm	<a href="#">28 Ld PDIP</a>	N/A	2.28	<a href="#">Buy</a>	
X28HC64PZ-15 	Active	Comm	<a href="#">28 Ld PDIP</a>	N/A	4.73	<a href="#">Buy</a>	
X28HC64PZ-90 	Active	Comm	<a href="#">28 Ld PDIP</a>	N/A	5.00	<a href="#">Buy</a>	
X28HC64S-12	Active	Comm	<a href="#">28 Ld SOIC</a>	5	4.56	<a href="#">Buy</a>	
X28HC64S-12T1	Active	Comm	<a href="#">28 Ld SOIC T+R</a>	5	4.56	<a href="#">Buy</a>	
X28HC64S-12T2	Active	Comm	<a href="#">28 Ld SOIC T+R</a>	5		<a href="#">Buy</a>	
X28HC64S-12T4	Active	Comm	<a href="#">28 Ld SOIC T+R</a>	5		<a href="#">Buy</a>	
X28HC64S-12T5	Active	Comm	<a href="#">28 Ld SOIC T+R</a>	5	4.56	<a href="#">Buy</a>	
X28HC64S-15	Active	Comm	<a href="#">28 Ld SOIC</a>	5		<a href="#">Buy</a>	
X28HC64S-70	Active	Comm	<a href="#">28 Ld SOIC</a>	3	6.06	<a href="#">Buy</a>	
X28HC64S-70T1	Active	Comm	<a href="#">28 Ld SOIC T+R</a>	3	6.06	<a href="#">Buy</a>	
X28HC64S-90	Active	Comm	<a href="#">28 Ld SOIC</a>	3	5.39	<a href="#">Buy</a>	
X28HC64S-90T1	Active	Comm	<a href="#">28 Ld SOIC T+R</a>	3	5.39	<a href="#">Buy</a>	
X28HC64SI-12	Active	Ind	<a href="#">28 Ld SOIC</a>	5	4.89	<a href="#">Buy</a>	
X28HC64SI-12T1	Active	Ind	<a href="#">28 Ld SOIC T+R</a>	5	4.89	<a href="#">Buy</a>	
X28HC64SI-12T2	Active	Ind	<a href="#">28 Ld SOIC T+R</a>	5	4.89	<a href="#">Buy</a>	
X28HC64SI-15	Active	Ind	<a href="#">28 Ld SOIC</a>	5		<a href="#">Buy</a>	
X28HC64SI-70	Active	Ind	<a href="#">28 Ld SOIC</a>	3	6.57	<a href="#">Buy</a>	
X28HC64SI-70T1	Active	Ind	<a href="#">28 Ld SOIC T+R</a>	5	6.57	<a href="#">Buy</a>	
X28HC64SIZ-12 	Active	Ind	<a href="#">28 Ld SOIC</a>	3	4.89	<a href="#">Buy</a>	
X28HC64SIZ-12T1 	Active	Ind	<a href="#">28 Ld SOIC T+R</a>	3	4.89	<a href="#">Buy</a>	
X28HC64SIZ-70 	Active	Ind	<a href="#">28 Ld SOIC</a>	3	6.57	<a href="#">Buy</a>	
X28HC64SM-70	Active	Mil	<a href="#">28 Ld SOIC</a>	5		<a href="#">Buy</a>	
X28HC64SM-70T1	Active	Mil	<a href="#">28 Ld SOIC T+R</a>	5		<a href="#">Buy</a>	
X28HC64SM-70T2	Active	Mil	<a href="#">28 Ld SOIC T+R</a>	5		<a href="#">Buy</a>	

X28HC64SZ-12		Active	Comm	<a href="#">28 Ld SOIC</a>	3	4.56	<a href="#">Buy</a>
X28HC64SZ-70		Active	Comm	<a href="#">28 Ld SOIC</a>	3		<a href="#">Buy</a>
X28HC64W		Active	Comm		N/A		<a href="#">Buy</a>
X28HC64PZ-70		Coming Soon	Comm	<a href="#">28 Ld PDIP</a>	N/A		
X28HC64J-90C7871		InActive	Comm	<a href="#">32 Ld PLCC</a>	3		

The price listed is the manufacturer's suggested retail price for quantities between 100 and 999 units. However, prices in today's market are fluid and may change without notice.

MSL = Moisture Sensitivity Level - per IPC/JEDEC J-STD-020

SMD = Standard Microcircuit Drawing

## Description

The X28HC64 is an 8K x 8 EEPROM, fabricated with Intersil's proprietary, high performance, floating gate CMOS technology. Like all Intersil programmable nonvolatile memories, the X28HC64 is a 5V only device. It features the JEDEC approved pinout for byte-wide memories, compatible with industry standard RAMs.

The X28HC64 supports a 64-byte page write operation, effectively providing a 32is/byte write cycle, and enabling the entire memory to be typically written in 0.25 seconds. The X28HC64 also features DATA Polling and Toggle Bit Polling, two methods providing early end of write detection. In addition, the X28HC64 includes a user-optional software data protection mode that further enhances Intersil's hardware write protect capability.

Intersil EEPROMs are designed and tested for applications requiring extended endurance. Inherent data retention is greater than 100 years.

## Key Features

- 70ns access time
- Simple byte and page write
  - Single 5V supply
  - No external high voltages or V<sub>PP</sub> control circuits
  - Self-timed
  - No erase before write
  - No complex programming algorithms
  - No overerase problem
- Low power CMOS
  - 40mA active current max.
  - 200µA standby current max.
- Fast write cycle times
  - 64-byte page write operation
  - Byte or page write cycle: 2ms typical
  - Complete memory rewrite: 0.25 sec. typical
  - Effective byte write cycle time: 32µs typical
- Software data protection
- End of write detection
  - DATA polling
  - Toggle bit
- High reliability
  - Endurance: 1 million cycles
  - Data retention: 100 years
- JEDEC approved byte-wide pin out
- Pb-free plus anneal available (RoHS compliant)

## Related Documentation

 Datasheet(s):

- [64K, 8K x 8 Bit, 5 Volt, Byte Alterable EEPROM](#)

 Technical Homepage:

- [Digital ICs](#)

## Parametric Data

Organization	8kx8-Bit
Access Time (ns)	70
Active Current Max. (mA)	40
Standby Current Max. (µA)	200

<a href="#">X28C010</a>	5V, Byte Alterable E <sup>2</sup> PROM
<a href="#">X28C512</a>	5V, Byte Alterable EEPROM
<a href="#">X28C513</a>	5V, Byte Alterable EEPROM
<a href="#">X28HC256</a>	256K, 32K x 8 Bit; 5 Volt, Byte Alterable EEPROM