

Type: CLS4D18

Product Description

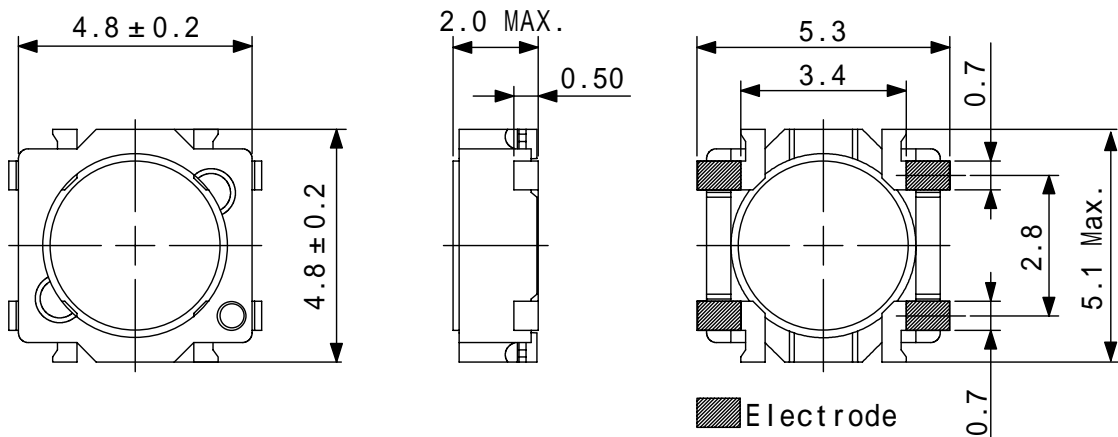
- 4.8 × 4.8mm Max.(L × W), 2.0mm Max. Height.
- 4 Terminal pins' type gives a flexible design as inductors or transformers (SEPIC,ZETA circuit).
- Custom design is available.



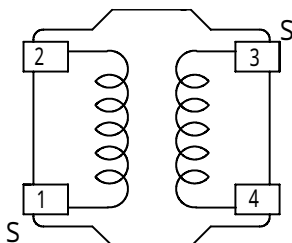
Feature

- Magnetically shielded construction.
- Max. Operating frequency 1MHz, Max. Operating power 1W.
- Ideally used in the power supply for DSC, Note PC, DVC and W-LED backlight.
- RoHS Compliance

Dimensions (mm)

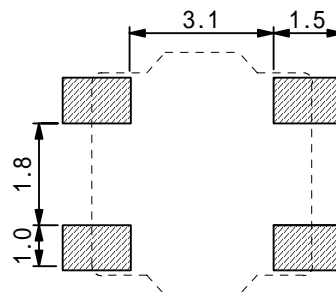


Schematics (Bottom)



“S” indicates winding start.

Land Pattern (mm)

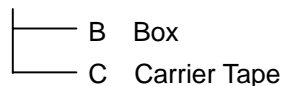


Type: CLS4D18
Specification (For Inductor)

Part No.	Stamp	Inductance	Saturation Current (A)				Temperature Rise current (A)	
			(1,4-2,3)		(2-3) (1,4 Short)		(1,4-2,3)	(2-3) (1,4 Short)
			20	100	20	100		
CLS4D18NP-1R0N	A	1.0μH±30%	2.4	1.7	1.2	0.86	3.0	1.5
CLS4D18NP -1R8N	B	1.8μH±30%	1.7	1.3	0.87	0.65	2.7	1.2
CLS4D18NP -2R2N	C	2.2μH±30%	1.5	1.1	0.72	0.56	2.4	1.1
CLS4D18NP -3R3N	D	3.3μH±30%	1.2	0.88	0.63	0.47	2.3	0.9
CLS4D18NP -5R0N	E	5.0μH±30%	1.2	0.77	0.50	0.36	1.8	0.7
CLS4D18NP -6R8N	F	6.8μH±30%	0.86	0.65	0.43	0.31	1.6	0.65
CLS4D18NP -100N	G	10μH±30%	0.68	0.52	0.33	0.26	1.2	0.47

Description of Part Name

CLS4D18NP -1R0N



1. Saturation Current: The DC current at which the inductance decreases to 90% of it's nominal value.
2. Temperature rise current: The DC current at which the temperature rise is $t = 40$.($T_a = 20$).

Specification (For 2 in 1 Transformer)

Sample No.	Inductance (2-1) (100kHz/1V)	Inductance (4-3) (100kHz/1V)	D.C.R (m) (2-1) Max. (at 20)	D.C.R (m) (4-3) Max. (at 20)	Turns Ratio (2-1):(4-3)
1388-T003	2.2μH ± 30%	6.7μH ± 30%	95.0	330.0	1:1.7(± 3%)