

CERAMIC SMD ULTRA MINIATURE CONTOUR MODE QUARTZ CRYSTAL



3.2 x 2.5 x 0.65mm

ABM8L



RoHS
Compliant

FEATURES:

- 3.0 to 4.5MHz in 3.2 x 2.5mm package
- Ceramic package and metal lid assures high reliability
- Tight tolerance and stability available
- Contour mode high precision crystal
- Wide frequency pullability

APPLICATIONS:

- Computers, Modems, Communication equipment
- Thin equipment
- High density applications
- Wireless Remote Control, PCMCIA, Wireless applications
- Portable games, music player

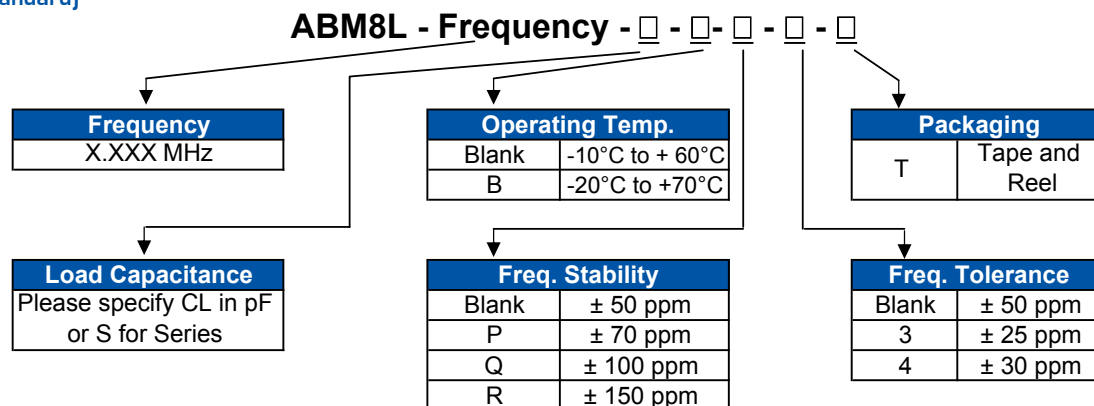
STANDARD SPECIFICATIONS:

PARAMETERS

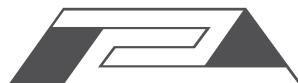
ABRACON P/N	ABM8L
Frequency Range	3.000 MHz to 4.500 MHz
Standard Frequencies	3.579545MHz, 3.68640MHz, 4.0000MHz, 4.18560MHz, 4.194304MHz (Contact ABRACON for other frequency availabilities)
Operation Mode	Fundamental
Operating Temperature	-10°C to + 60°C (see options)
Storage Temperature	-40°C to +85°C
Frequency Tolerance at +25°C	± 50ppm max. (see options)
Frequency Stability over the Operating Temp. (Ref. to +25°C)	± 50ppm max. (see options)
Equivalent Series Resistance	500 Ω max. (Ask ABRACON for tighter ESR availabilities)
Shunt Capacitance C0	7pF max
Load Capacitance CL	12pF (see options)
Drive Level	5μW ± 0.5μW typ.; 200μW max.
Aging (first year) at 25°C ± 3°C	± 5 ppm max.
Insulation Resistance	500 MΩ min. at 100 Vdc ±15V

OPTIONS & PART IDENTIFICATION:

(Left blank if standard)



Tighter stability available for
-20 ~ +70°C, please call
Abracon for more details.



CERAMIC SMD ULTRA MINIATURE CONTOUR MODE QUARTZ CRYSTAL



ABM8L

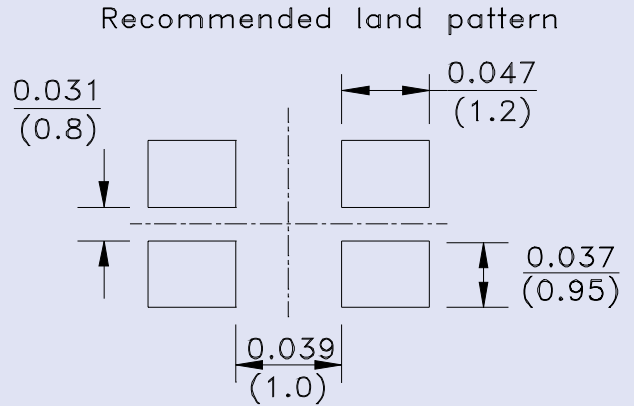
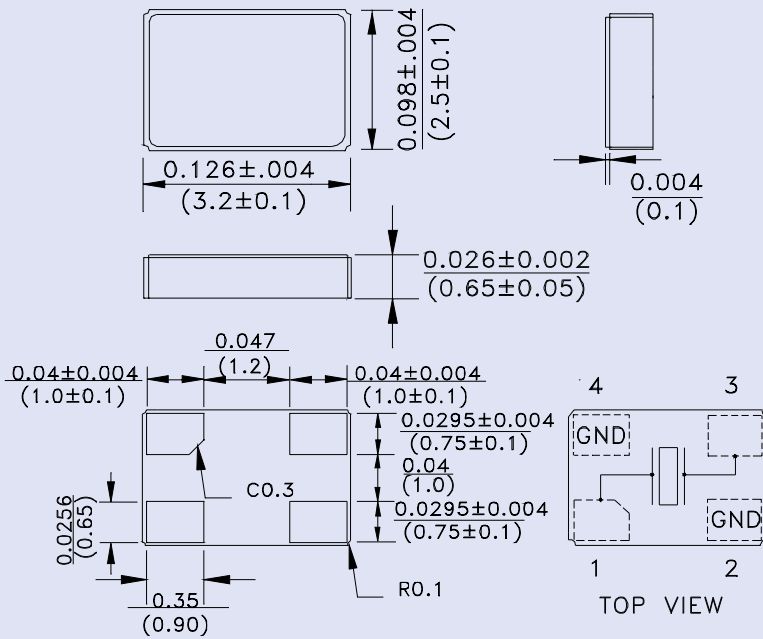
3.2 x 2.5 x 0.65mm

ABM8L



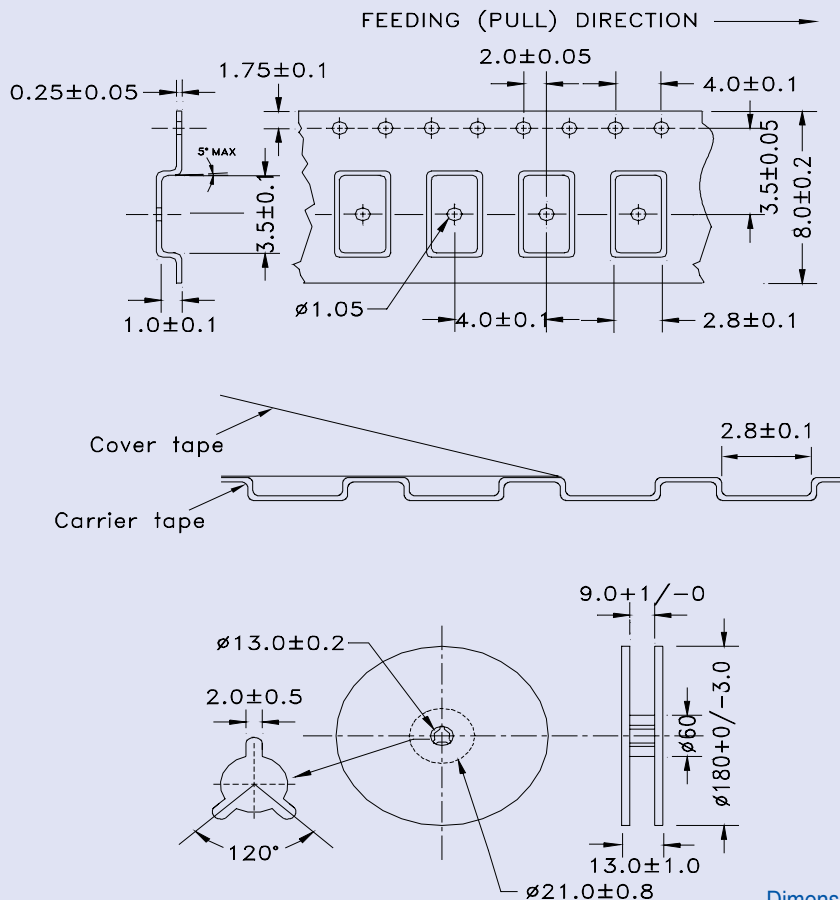
RoHS
Compliant

OUTLINE DRAWING:



Note: #2 and #4 are connected with a cover (Please connect to GND)

TAPE & REEL: (1000pcs/reel or 3000pcs/reel)



Dimensions: mm

ABRACON IS
ISO 9001 / QS 9000
CERTIFIED



Visit www.abracon.com for Terms & Conditions of Sale **Revised: 12.01.08**
30332 Esperanza, Rancho Santa Margarita, California 92688
tel 949-546-8000 | fax 949-546-8001 | www.abracon.com