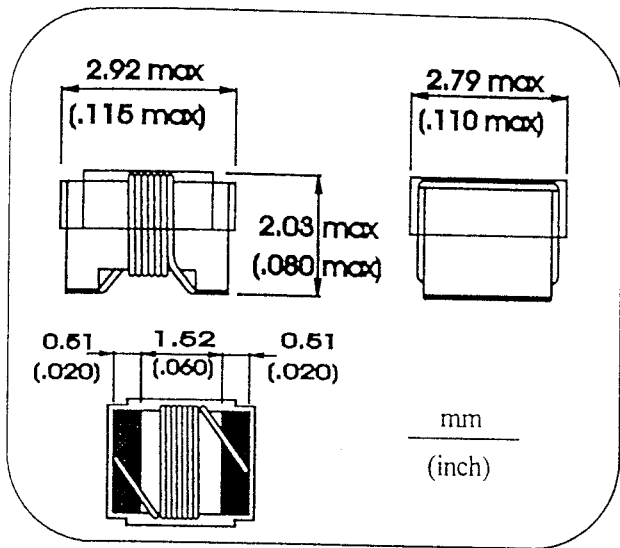


CHIP INDUCTORS 1008FL SERIES



■ FEATURE

- ⊙ Small and lightweight surface mounting type.
- ⊙ Coil body made of ferrite material in chip form.
 - High Q and lower DCR than our 1008C series
 - Inductance Range: 1.2~10uH.
- ⊙ Ferrite construction for higher current carrying capacity.

■ APPLICATION

- ⊙ Pagers.
- ⊙ Mobile communication units.
- ⊙ Portable telephone.
- ⊙ Hybrid.

※Special specifications are available for customer's requirement.

Part No.	Ind. (uH)	Test Freq. (MHz)	Inductance Tolerance	Q Min	Test Freq. (MHz)	SRF MHz Min	Rdc Ohms Max	RATED CURRENT (mA)
1008FL-1R2	1.2	7.9	K, J	20	50	210	.68	650
1008FL-1R5	1.5	7.9	K, J	18	50	190	.76	630
1008FL-1R8	1.8	7.9	K, J	18	50	170	.98	600
1008FL-2R2	2.2	7.9	K, J	20	50	150	1.10	520
1008FL-2R7	2.7	7.9	K, J	18	50	135	1.28	490
1008FL-3R3	3.3	7.9	K, J	18	50	120	1.46	450
1008FL-3R9	3.9	7.9	K, J	22	7.9	105	1.56	420
1008FL-4R7	4.7	7.9	K, J	22	7.9	90	1.68	400
1008FL-5R6	5.6	7.9	K, J	22	7.9	80	1.86	380
1008FL-6R8	6.8	7.9	K, J	22	7.9	70	2.50	360
1008FL-8R2	8.2	7.9	K, J	20	7.9	65	2.80	330
1008FL-100	10.0	7.9	K, J	22	7.9	60	2.95	300

※ Inductance Tolerance K=10%, J=5%



FRONTIER ELECTRONICS CO., LTD.

FRONTIER ELECTRONICS CO., LTD.

4 TH FL. NO. 48, MIN CHUAN RD., HSIN TIEN, TAIPEI HSIEN, TAIWAN, R.O.C.

TEL: (02) 29147685-9

FAX: (02) 29186304

04/17/00

B