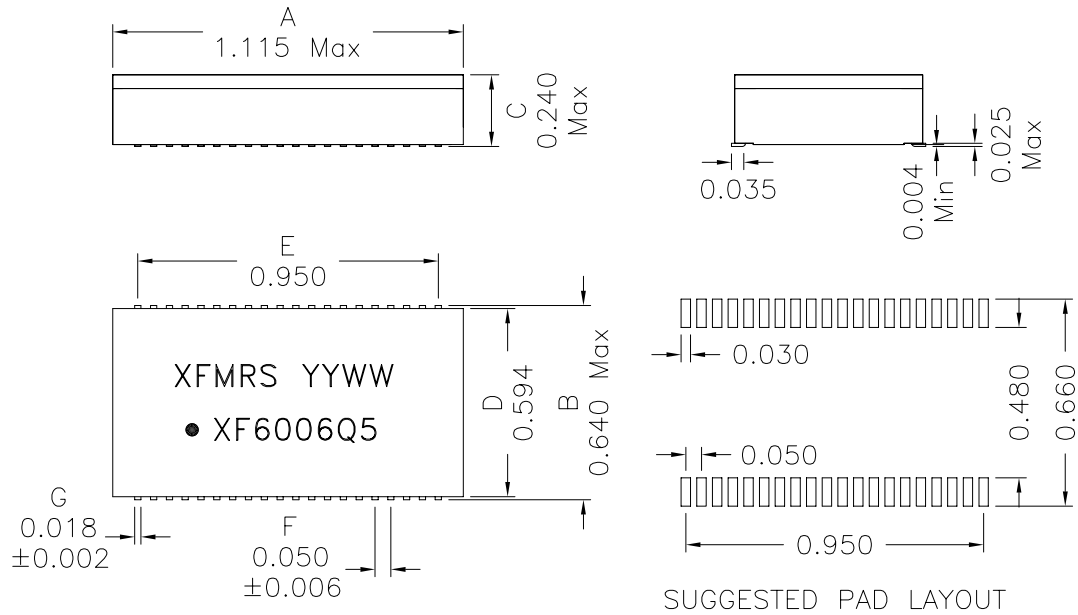
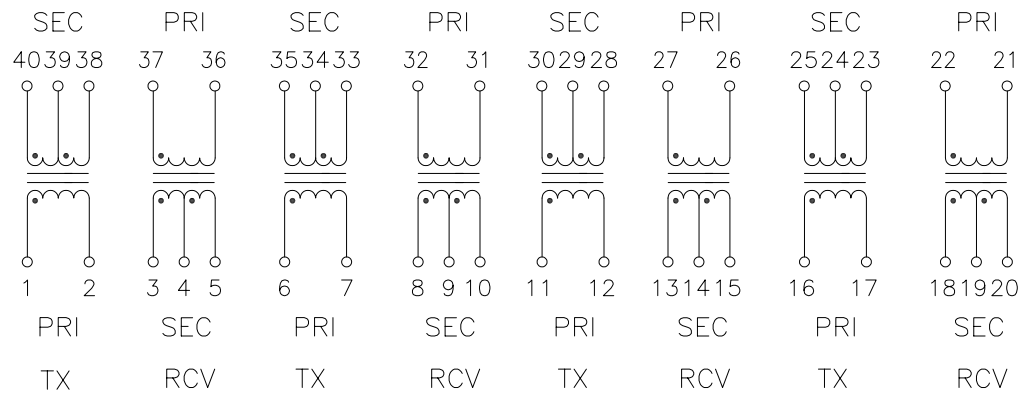


1. Mechanical Dimensions:



2. Schematic:



DOC. REV: B/1

3. Electrical Specifications: @25°C

Isolation: 1500Vrms, PRI to SEC

TX Turns Ratio: 1:2CT±2% (PRI:SEC)

RCV Turns Ratio: 1:1CT±3% (PRI:SEC)

TX PRI OCL: 600uH Min @100KHz 50mV

RCV PRI OCL: 600uH Min @100KHz 50mV

Q: 5 Min @10KHz 50mV

CW/W: 40pF Max @100KHz 50mV (PRI/SEC)

TX PRI LL: 1.0uH Max @100KHz 50mV
(SEC Shorted)

RCV PRI LL: 1.0uH Max @100KHz 50mV
(SEC Shorted)

TX PRI DCR: 1.00 Ohm Max

TX SEC DCR: 2.00 Ohms Max

RCV PRI & SEC DCR: 1.20 Ohms Max

Notes:

- Solderability: Leads shall meet MIL-STD-202G, Method 208H for solderability.
- Flammability: UL94V-0
- ASTM oxygen index: > 28%
- Insulation System: Class F 155°C. UL file E151556
- Operating Temperature Range: All listed parameters are to be within tolerance from -40°C to +85°C
- Storage Temperature Range: -55°C to +125°C
- Aqueous wash compatible
- SMD Lead Coplanarity: ±0.004"(0.102mm)
- Electrical and mechanical specifications 100% tested
- RoHS Compliant Component

XFMRS Inc www.XFMRS.com	Title: T1/E1/CEPT QUAD PORT		
	UNLESS OTHERWISE SPECIFIED TOLERANCES:		
.xxx ±0.010	P/N: XF6006Q5	REV. B	
Dimensions in INCH	DWN. Feng	CHK. YK Liao	Aug-19-11
SHT 1 OF 1	APP. BW	Aug-19-11	