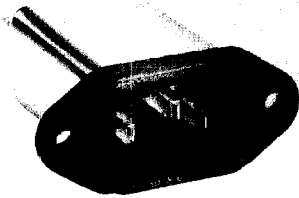
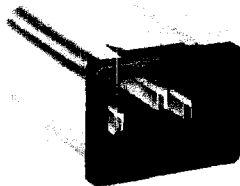
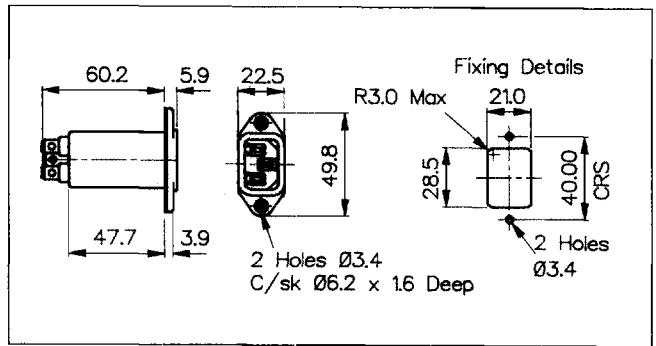


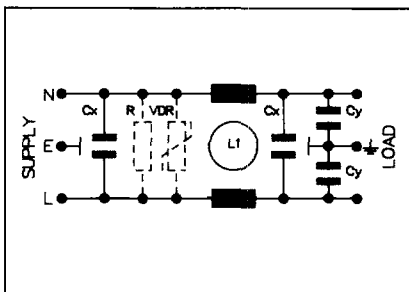
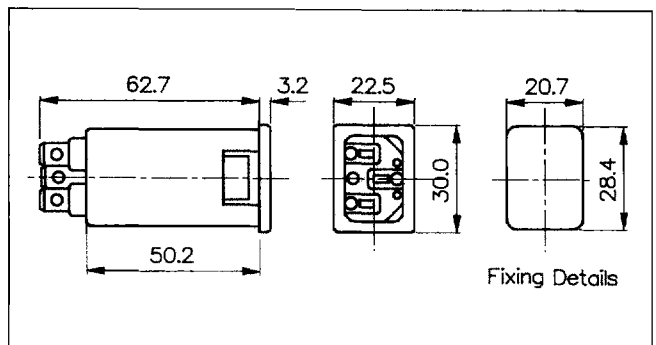
FILTERS



**Flange
PS06/A**



**Snap Fit
PS07/A**



Series	Rating	L/C Circuit Version	Additional Components	Tag Size	Panel Thickness
PS06/A PS07/A	XX	X	X /	XX	XX
	1A = 01	Ver 1 = 1	None = 0	2.8mm = 28	Flange = 00
	3A = 03	Ver 3 = 3	Bleed (R) Resistor = 1	6.3mm = 63	1.0mm = 10
	6A = 06 10A = 10		Surge (VDR) Protection = 2 "R" plus "VDR" = 3		1.5mm = 15 2.0mm = 20 3.0mm = 30



For Flying Lead versions - please enquire.

Data	List No.	PS06/Axxxx/xxxx	PS07/Axxxx/xxxx	Example
Max. Working Voltage:		250V a.c. 50-400Hz.	250V a.c. 50-400Hz.	PS07/A0333/6315 = PS07 series, snap fit to to panel fitting, standard IEC power inlet, rated at 3 amperes. L/C circuit version 3, i.e. L1 = 2 x 3mH, Cx = 2 x 47nF, Cy = 2 x 2.2nF, with bleed resistor and surge protection device fitted, panel thickness 1.5mm with 6.3mm tags.
Earth Leakage Current:		<0.35mA (250V. 50Hz).	<0.35mA (250V. 50Hz).	
Temperature Range:		-25°C to +85°C.	-25°C to +85°C.	
Max. Ambient Temp.: (@ Full Load)		40°C (derate linearly to 0A @ 85°C).	40°C (derate linearly to 0A @ 85°C).	
Test Voltage:		2700V d.c. 2 secs. Lines to Earth. 1100V d.c. 2 secs. Live to Neutral.	2700V d.c. 2 secs. Lines to Earth. 1100V d.c. 2 secs. Live to Neutral.	
Approvals:		*Pending	*Pending	
Mating Connectors:		PX0587, PX0587/SE, PX0588, PZ0100, PZ0200.	PX0587, PX0587/SE, PX0588, PZ0100, PZ0200.	

RATING &

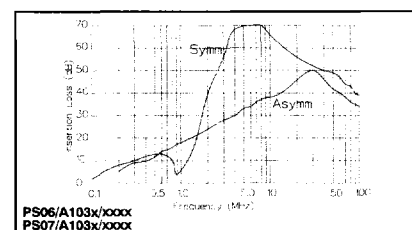
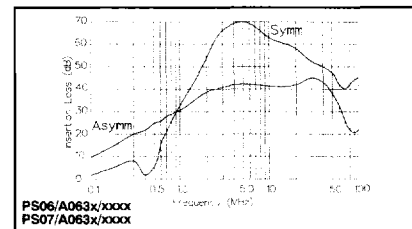
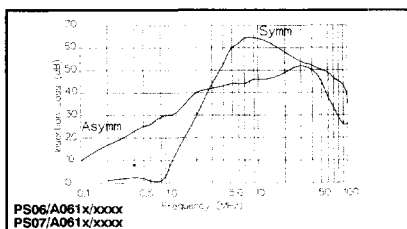
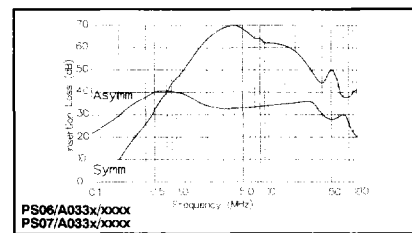
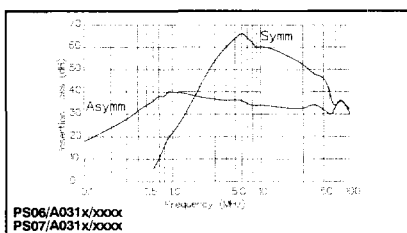
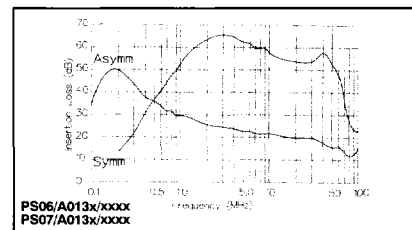
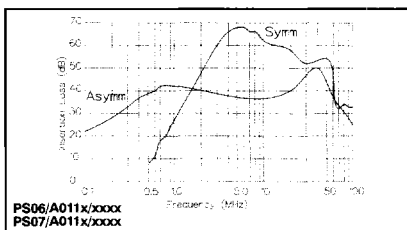
VERSION TABLE

PS06/Axxxx/xxxx

& PS07/Axxxx/xxxx

Rating	Version	L1	Cx	Cy	L2
1 AMP	1	2 x 2.8mH	2 x 15nF	2 x 2.2nF	
"	2				
"	3	2 x 10mH	2 x 47nF	2 x 2.2nF	
3 AMP	1	2 x 1.8mH	2 x 15nF	2 x 2.2nF	
"	2				
"	3	2 x 3mH	2 x 47nF	2 x 2.2nF	
6 AMP	1	2 x 0.7mH	2 x 15nF	2 x 2.2nF	
"	2				
"	3	2 x 0.7mH	2 x 47nF	2 x 2.2nF	
10AMP	1				
"	2				
"	3	2 x 0.17mH	2 x 47nF	2 x 2.2nF	

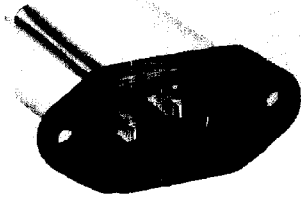
FILTERS



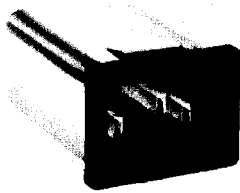
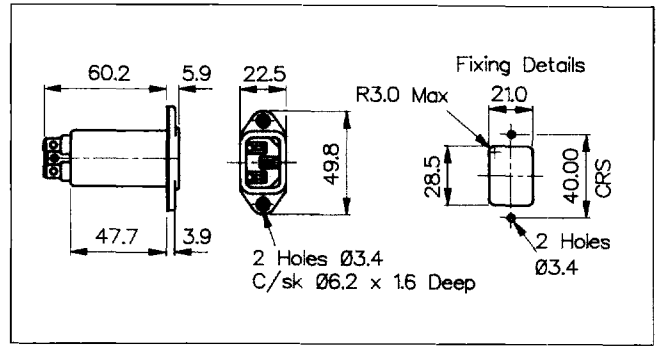


MEDICAL IEC HIGH PERFORMANCE FLANGE AND SNAP FIT

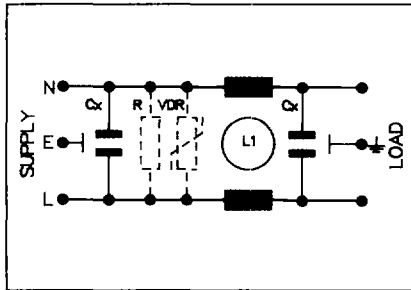
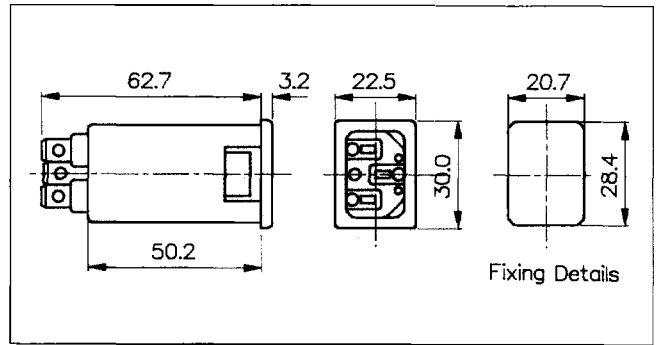
FILTERS



**Flange
PS06/B**



**Snap Fit
PS07/B**



Series	Rating	L/C Circuit Version	Additional Components	Tag Size	Panel Thickness
	XX	X	X /	XX	XX
PS06/B	1A = 01	Ver 1 = 1	None = 0	2.8mm = 28	Flange = 00
	3A = 03	Ver 3 = 3	Bleed (R)	6.3mm = 63	1.0mm = 10
PS07/B	6A = 06		Resistor = 1		1.5mm = 15
	10A = 10		Surge (VDR) Protection = 2		2.0mm = 20
			"R" plus		3.0mm = 30
			"VDR = 3		



For Flying Lead versions - please enquire.

Data	List No.	PS06/Bxxxx/xxxx	PS07/Bxxxx/xxxx	Example
Max. Working Voltage:		250V a.c. 50-400Hz.	250V a.c. 50-400Hz.	PS07/B0330/6320 = PS07 series, snap to panel fitting, filtered IEC power inlet, for medical applications, rated at 3 amperes. L/C circuit version 3, i.e. L1 = 2 x 3mH, Cx = 2 x 47nF, without bleed resistor or surge protection device fitted, panel thickness 2.0mm, with 6.3mm tags.
Earth Leakage Current:		<100µA (typically 5µA 250V. 50Hz).	<100µA (typically 5µA 250V. 50Hz).	
Temperature Range:		-25°C to +85°C.	-25°C to +85°C.	
Max. Ambient Temp.: (@ Full Load)		40°C (derate linearly to 0A @ 85°C).	40°C (derate linearly to 0A @ 85°C).	
Test Voltage:		2700V d.c. 2 secs. Lines to Earth. 1100V d.c. 2 secs. Live to Neutral.	2700V d.c. 2 secs. Lines to Earth. 1100V d.c. 2 secs. Live to Neutral.	
Approvals:		*Pending	*Pending	
Mating Connectors:		PX0587, PX0587/SE, PX0588, PZ0100, PZ0200.	PX0587, PX0587/SE, PX0588, PZ0100, PZ0200.	

RATING &

VERSION TABLE

PS06/Bxxxx/xxxx

& PS07/Bxxxx/xxxx

Rating	Version	L1	Cx	Cy	L2
1 AMP	1	2 x 2.8mH	2 x 15nF		
"	2				
"	3	2 x 10mH	2 x 47nF		
3 AMP	1	2 x 1.8mH	2 x 15nF		
"	2				
"	3	2 x 3mH	2 x 47nF		
6 AMP	1	2 x 0.7mH	2 x 15nF		
"	2				
"	3	2 x 0.7mH	2 x 47nF		
10AMP	1				
"	2				
"	3	2 x 0.17mH	2 x 47nF		

FILTERS

