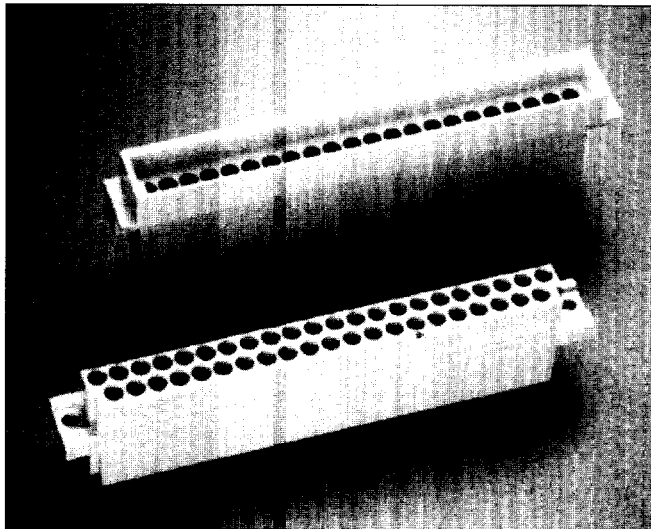


TRIM TRIO Connectors



PI 43 Eurorack Connectors



Wire Applications

A 43 position two part plug & receptacle connector system, compatible with Trim-Trio contacts and manufactured to DIN41612 style C dimensions. It is used for power & high frequency signal distribution within a "Eurorack" 19" cardrack system.

Features and Benefits

- 19" rack mounted
- Designed to DIN41612 style C dimensions
- Compatible with Trim-Trio contacts
- Contacts are easily replaced
- Any combination of different contact styles can be used within the same housing, including machined, stamped & formed and submix coax.

Performance Characteristics

Operating Temperature: -55°C to +125°C

Insulation Resistance: 5000 MΩ

Materials

Connector Body: 30% Glass-filled Polyester

Flammability Rating: UL94V-0

Color: Light Gray

Contact Accommodation

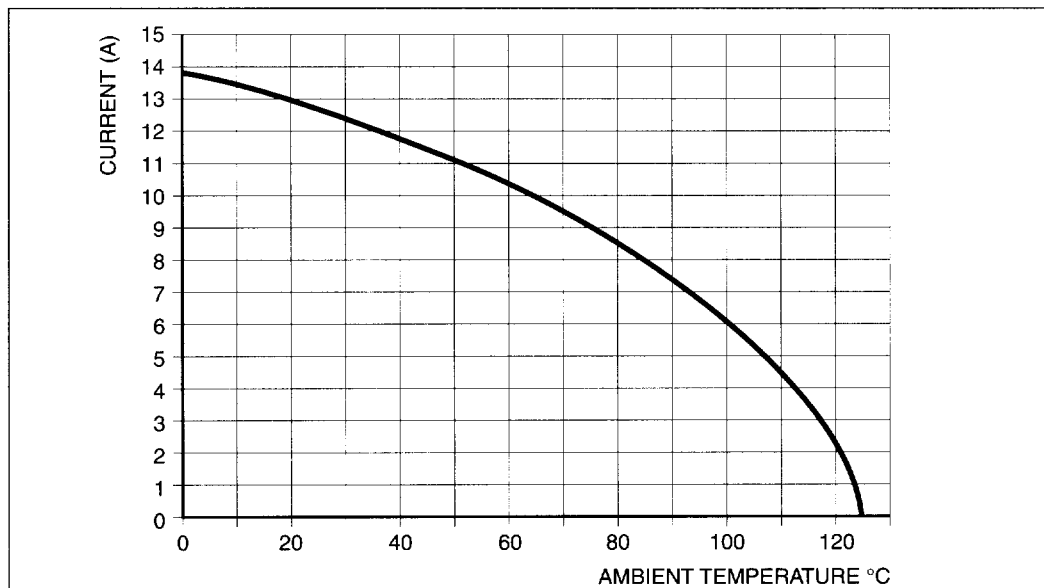
PI 43 connectors accept:

- RM/RC Machined contacts
- SM /SC Formed one piece contacts
- SM/SC Formed two piece contacts
- RMDX RCDX coaxial contacts
- Fibre Optic contacts

Contacts to be ordered separately.

Wire to Wire Derating Curve

Wire to wire derating curve



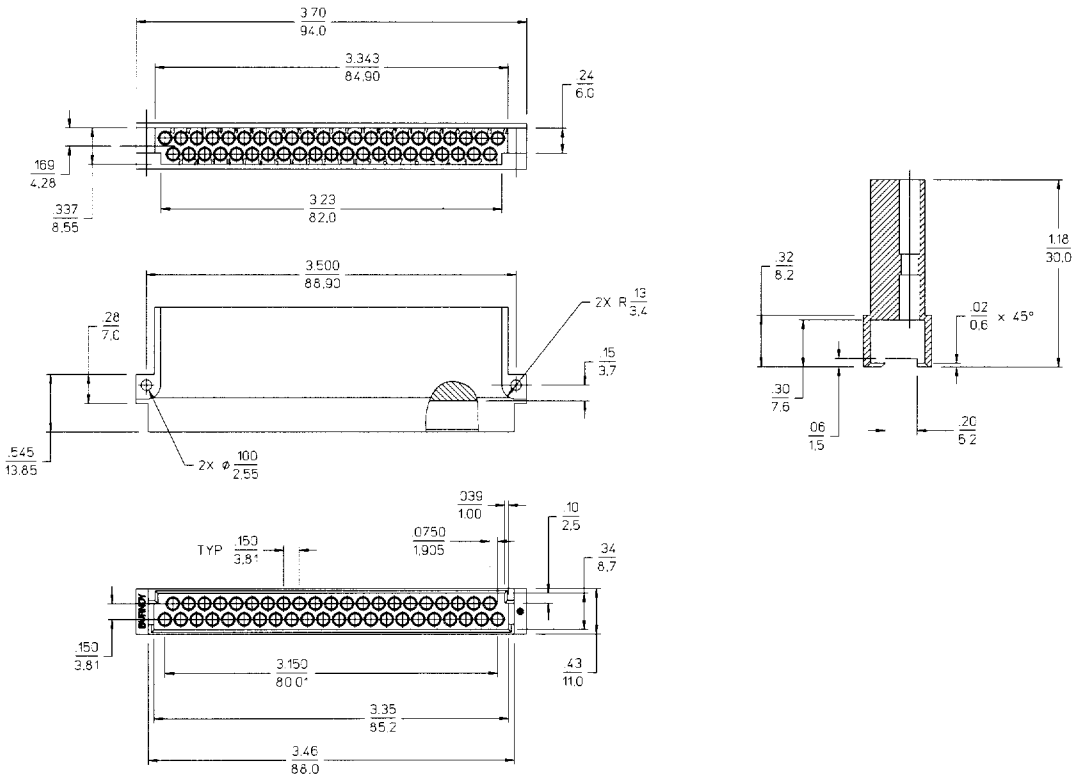
Test with 43 mach. contacts / Ø 1,6 mm / 1,5 mm²



PI 43 Eurorack Connectors

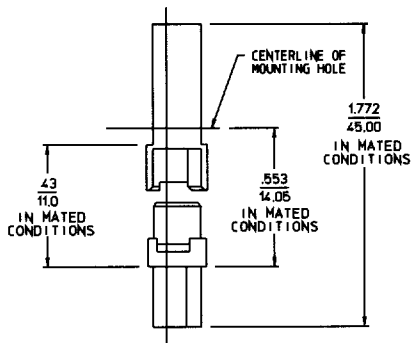
Plug Wire Housing With 90° Mounting

How To Order: PI43 G2PT A10P1



Mating Dimensions

For Intermateability Chart see pages 77-78.



Mating Part PI43 G2RT A10P1

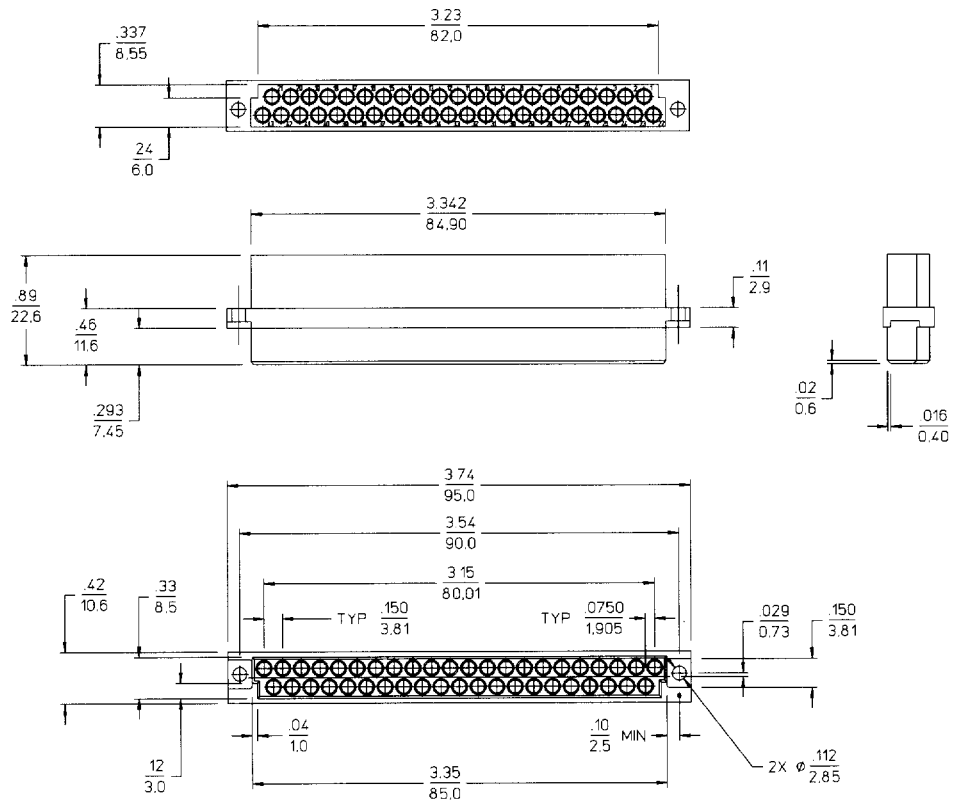
TRIM TRIO Connectors



PI 43 Eurorack Connectors

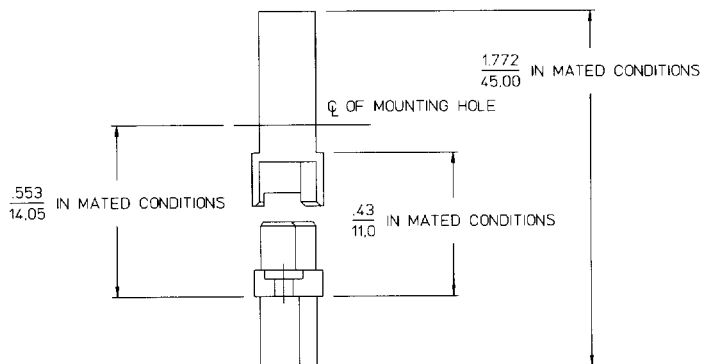
Receptacle Wire Housing With Straight Mounting

How To Order: PI43 G2RT A10P1



Mating Dimensions

For Intermateability Chart see pages 77-78.

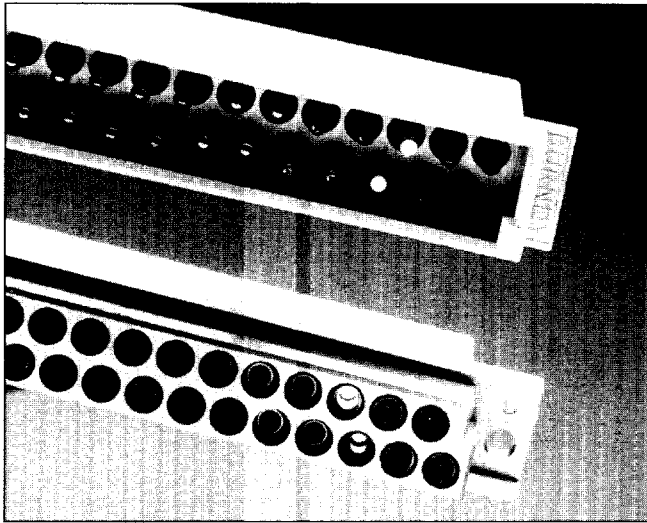


Mating Part PI43 G2PT A10P1

TRIM TRIO Connectors



PI 43 Eurorack Connectors



Contact Accommodation

The PI 43 wire connectors are designed to accommodate all contact types used in the Trim-Trio multipin connector series. All information needed on tooling ranges from simple handtools to semi-automatic strip-and-crimp machines as well as all contacts in the following paragraphs are properly described in the Trim-Trio catalog.

Solid machined contacts

No 16RM/RC contacts are designed for top quality, high performance applications.

Available in various terminations:

1. Maxi-wrap or mini-wrap
2. Handsolder
3. Dipsolder
4. Crimp version; 16 to 30 AWG

Stamped and formed contacts

Low cost crimp contacts available gold or tin plated, loose piece or reel fed for manual or automatic assembly. Designed to accommodate wire size 16 to 30 AWG

5. SM/SC formed 2-piece contact
SM/SC formed 1-piece contact

Subminiature coax contacts

6. RMDX/RCDX multipiece contact
RMDX/RCDX Monocrimp contact

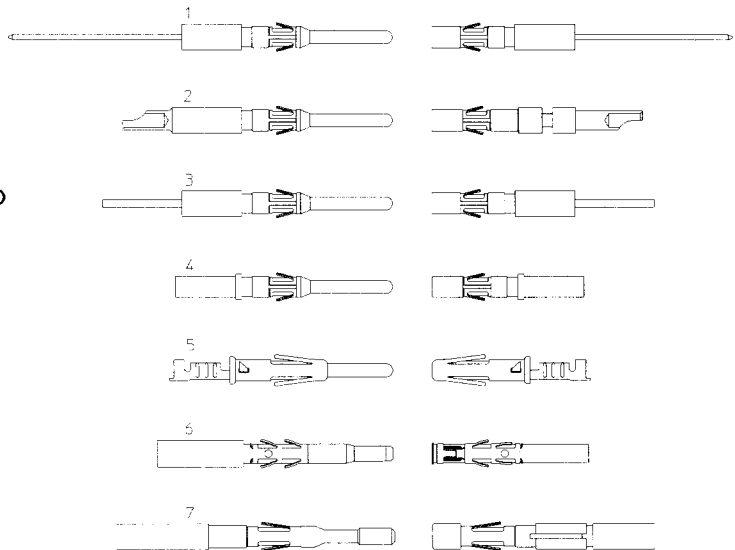
Fibre optic contacts

F.O. contacts are designed to accommodate wires with:

1 mm fibre diameter

2.2 mm insulation diameter

7. Male contact: 8012-P-14-J-262
Female contact: 8012-S-14-J-262



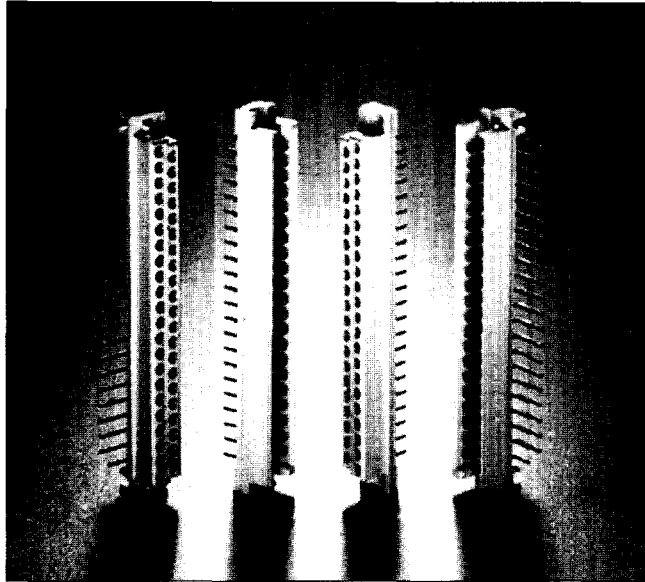
Interchangeability of contacts

The beauty of the Trim-Trio system means that any combination of the aforementioned contacts can be used within the same PI 43 moulding.

TRIM TRIO Connectors



PI 43 Eurorack Connectors



Performance Characteristics

Operating Temperature:	-55°C to +125°C
Current rating:	7,5 Amp
Contact resistance:	≤3mΩ
Operating voltage:	750 V RMS
Test potential:	2000 VAC
Insulation resistance:	5000 MΩ
Durability:	500 cycles

Materials

Connector Body:	30% Glass-filled Polyester
Flammability Rating:	UL94V-0
Color:	Light Gray
Contacts:	High Conductivity Copper Alloy

Boardmount Applications

The PI 43 boardmount version, derived from the wire version, is for direct application on a printed circuit board and manufactured to DIN41612 style C dimensions. The pre-assembled PI 43 connectors with pin or socket N° 16 contacts are intermateable with the existing wire versions. It is used for power & high frequency signal distribution within a "Eurorack" 19" cardrack system.

Features and Benefits

- Connector supplied preassembled with 43 dip solder contacts.
- Available with pin and socket contacts for both straight and right-angle terminations.
- 19" rack mounted
- Designed to DIN41612 style C dimensions.
- Selective loading and other termination lengths optional.

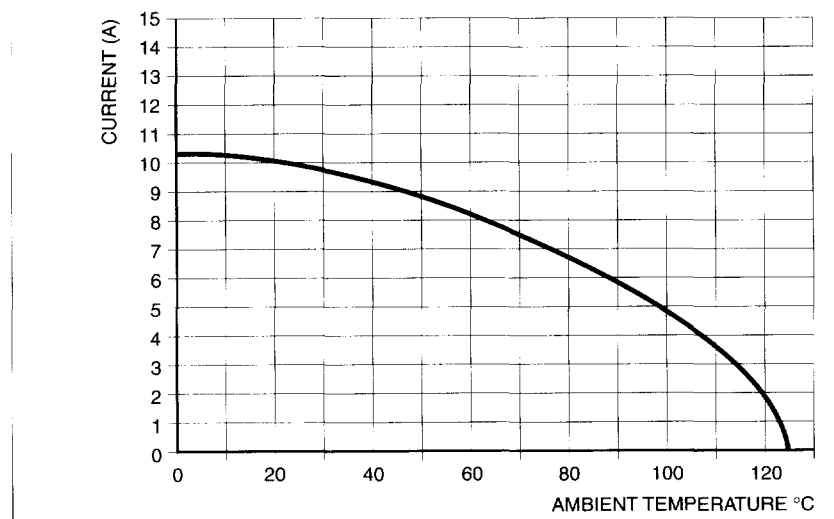
Plating:	No Digit(std) = 0.4μ min gold over nickel
	J = Gold flash over nickel
	N = 0.75μ min gold over nickel
	T = 3-5μ Tin

Contact Accommodation

The PI 43 boardmount connectors with preassembled contacts are intermateable only with the PI 43 wire versions equipped with:

- RC/CM Machined contacts
 - SM/SC Formed one piece contacts
 - SC/SM Formed two piece contacts
- See intermateability table on pages 77-78.

Wire to Wire Derating Curve

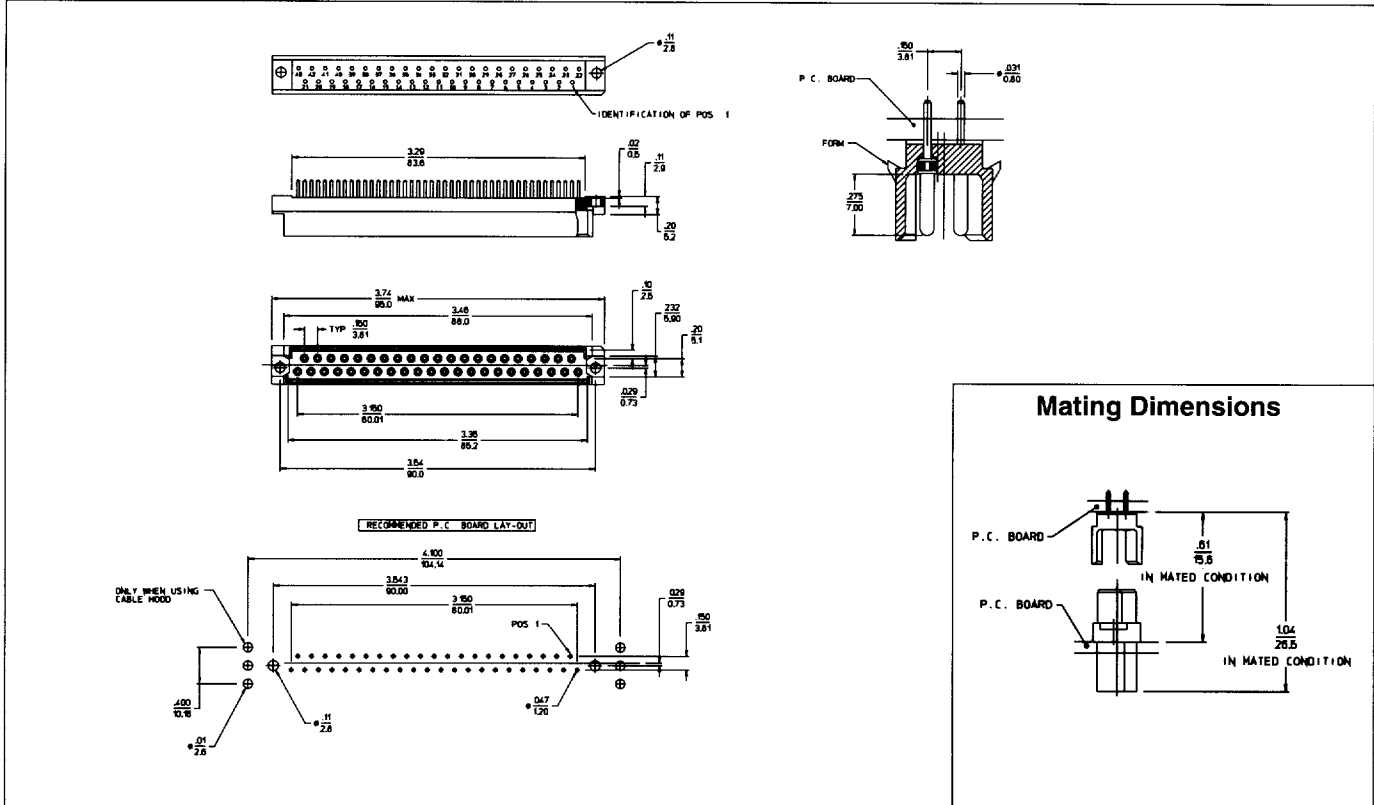


Test with 43 mach. contacts / Ø 1,6 mm / 1,5 mm²

TRIM TRIO Connectors

PI 43 Eurorack Connectors

Straight Boardmount Plug



How to order RPI43G20P5C00 - (standard)

Connector Family

RPI43G

20

P5

C

0

0

—

Connector Family: RPI43G20P5C00

Variations: Plug housing with preassembled straight female dip solder contacts

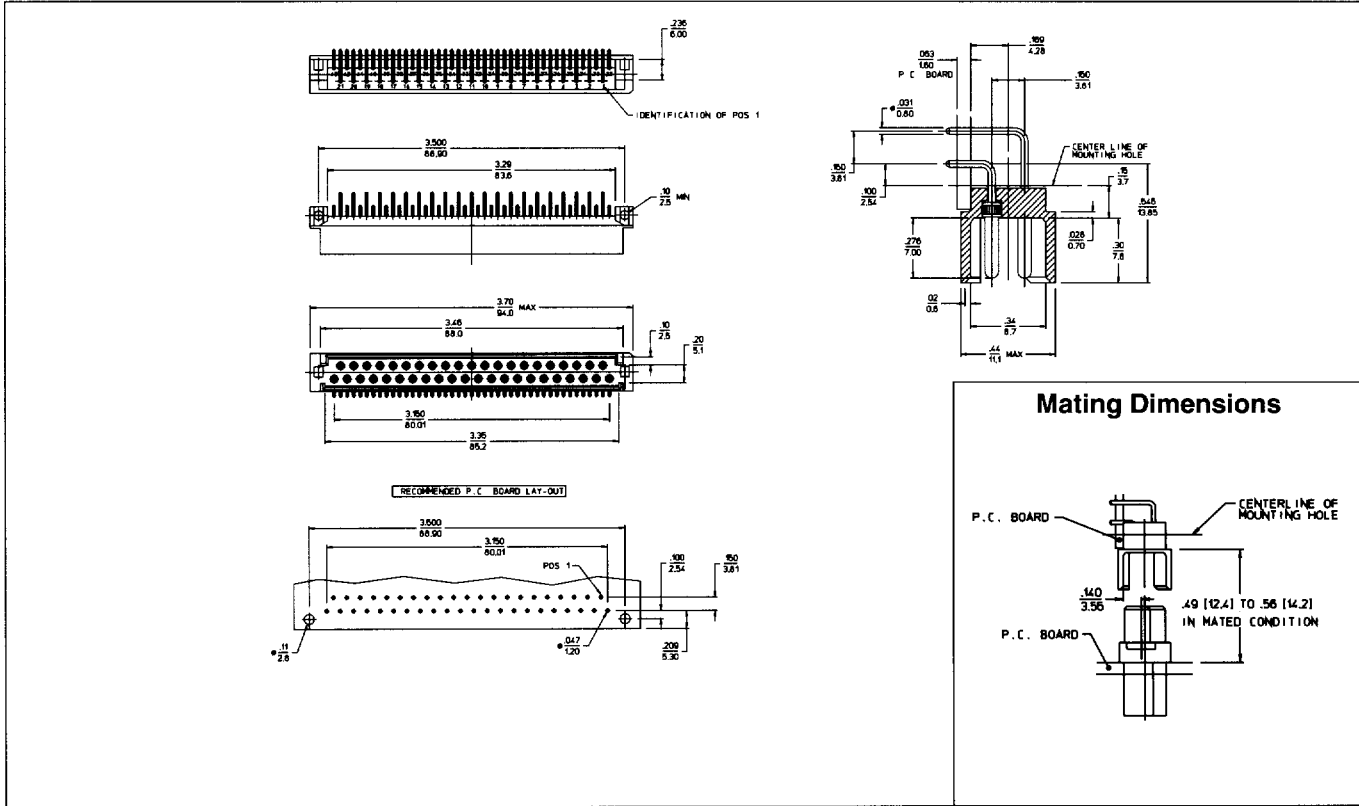
Material: 30% glass-filled polyester — Color: gray

Plating: see construction page 70.

TRIM TRIO Connectors

PI 43 Eurorack Connectors

Right Angle Boardmount Plug



How to order PI43G20PTBF08 - (standard)

Connector Family **PI43G** **20** **PTB** **F** **0** **8** **-**

Contacts:
Arrangement: two rows fully loaded

Variations: Plug housing with preassembled right angle male dip solder contacts

Termination: 2.75 mm

Material: 30% glass-filled polyester — Color: gray

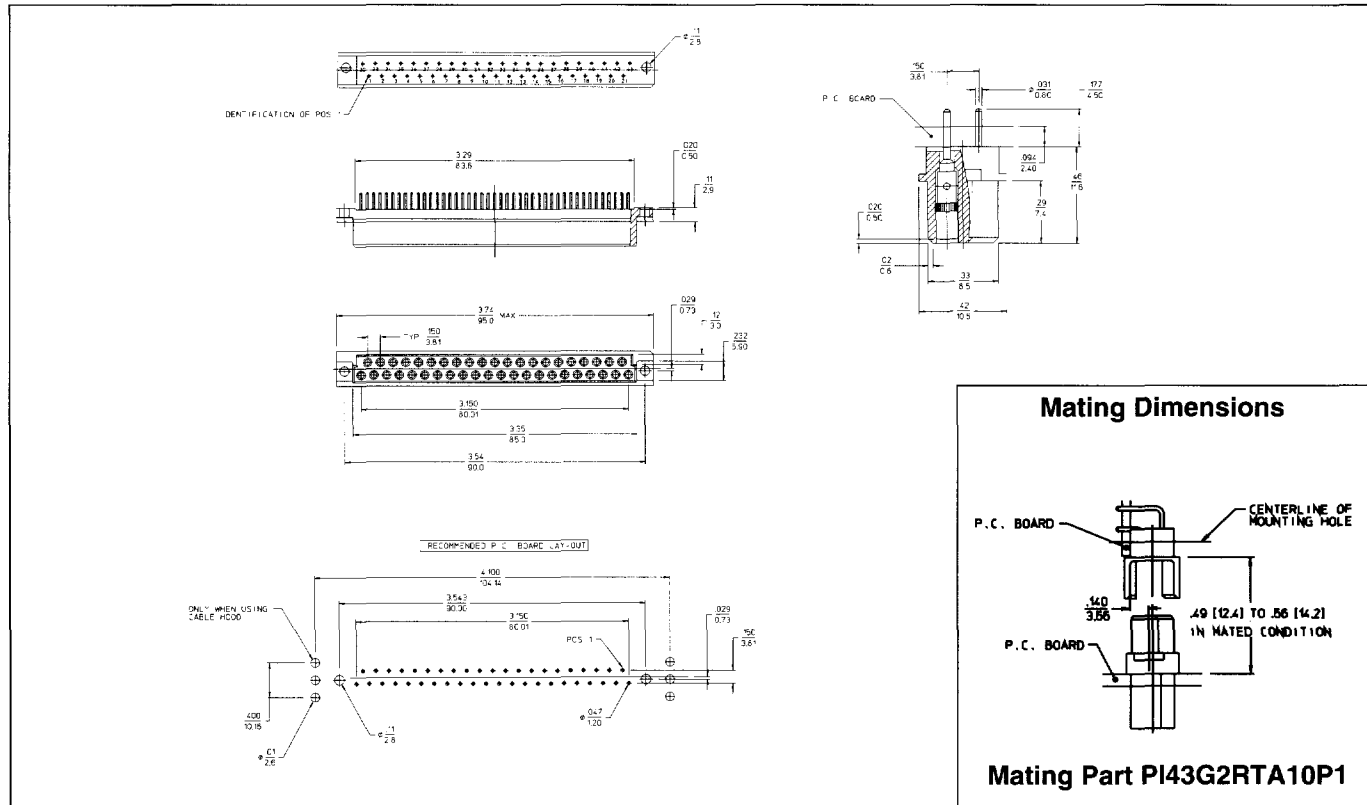
Mounted Contacts:

Plating: see construction page 70.

TRIM TRIO Connectors

PI 43 Eurorack Connectors

Straight Boardmount Receptacle



How to order PI43G20RTBC0E - (standard)

Connector Family	PI43G	20	RTB	G	0	E	—
Contacts	Machine Contacts, No pins fully loaded						
Variations:	Receptacle housing with preassembled straight female dip solder contacts						
Termination:	4.50 mm						
Material:	30% glass-filled polyester — Color: gray						
Machine Contacts							

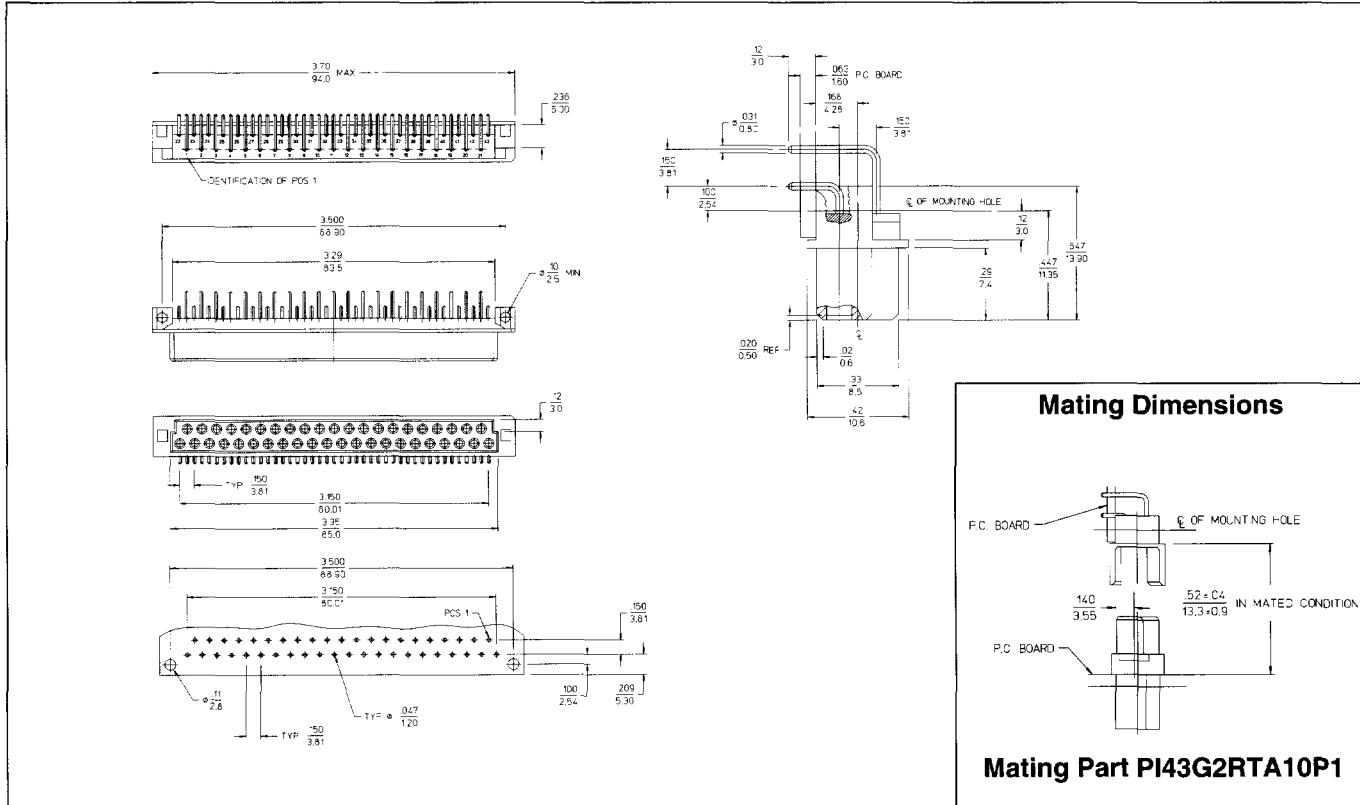
Plating: see construction page 70.

TRIM TRIO Connectors



PI 43 Eurorack Connectors

Right Angle Boardmount Receptacle



How to order RPI43G20R5G00 - (standard)

Connector Family **RPI43G** **20** **R5** **G** **0** **0** **—**

Contacts:
Arrangement: Not fully loaded

Variations: Receptacle housing with preassembled right angle male dip solder contacts

Termination: 2.75 mm

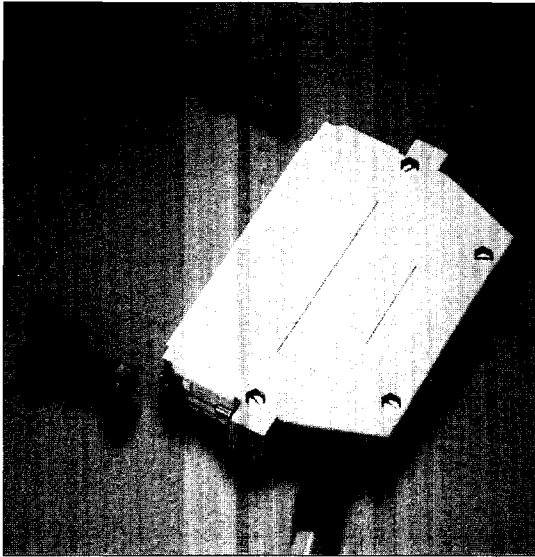
Material: 30% glass-filled polyester — Color: gray

Modified Contacts:

Plating: see construction page 70.

TRIM TRIO Connectors

PI 43 Eurorack Connectors



Accessories

Cable Hood and Locking Keys

The cable hood and locking keys offers the opportunity to have a reliable cable strain relief and an easy locking system between the two mating parts.

The hood meets the demand for a fully-insulated compact housing suitable for holding either the male or female half of connectors manufactured to DIN41612 style C dimensions. The locking keys can be chosen in function of the application and assist in guiding and matching the two connector halves and also offering coding possibilities.

Features and Benefits

- A strong fully-insulated housing
- Exclusion of any mechanical stress on multi-pin connectors during insertion, operation and withdrawal forces
- 19" rack mounted
- Designed to DIN41612 style C dimensions
- Three alternative cable outlet positions
- Reliable strain relief
- Quick mating
- Locking keys assist in guiding and coding

Construction

Molded Parts:

Polycarbonate 30% Glass-filled

Color:

Hood: Light Gray

Locking Keys: Black

Flammability Rating:

UL94V-0

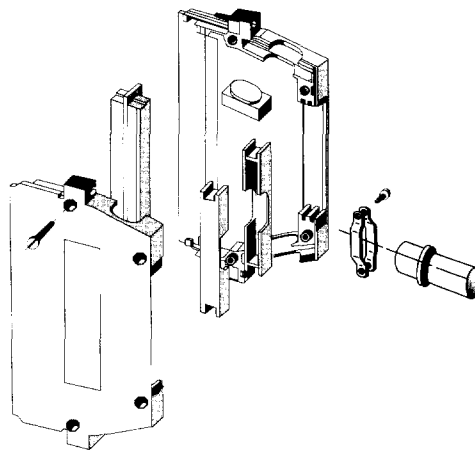
Temperature Range:

-65°C to +125°C

Hardware:

Surface treated steel

Cable Hood

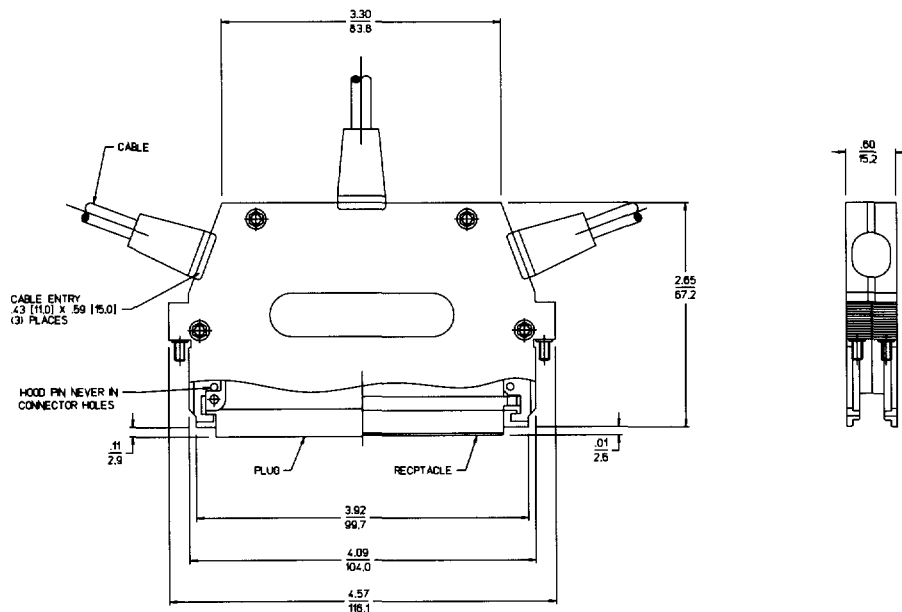


TRIM TRIO Connectors

PI 43 Eurorack Connectors

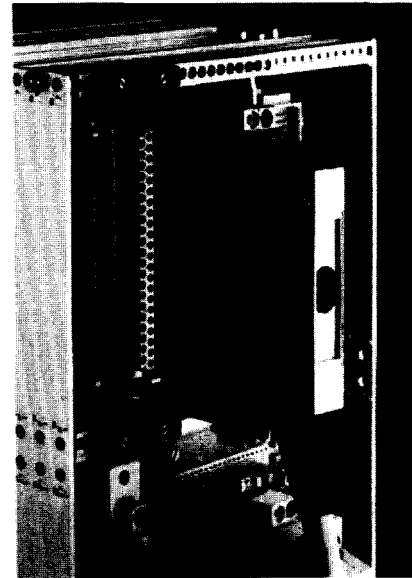
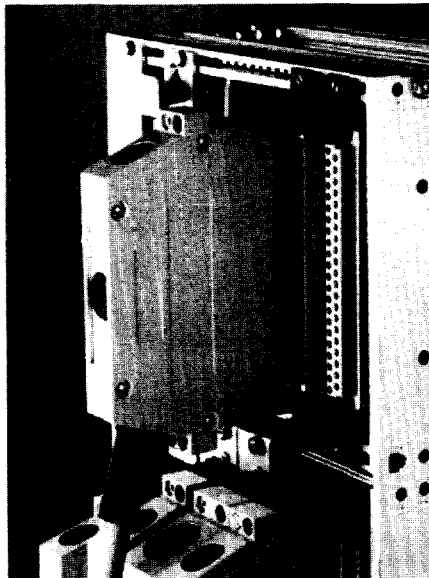
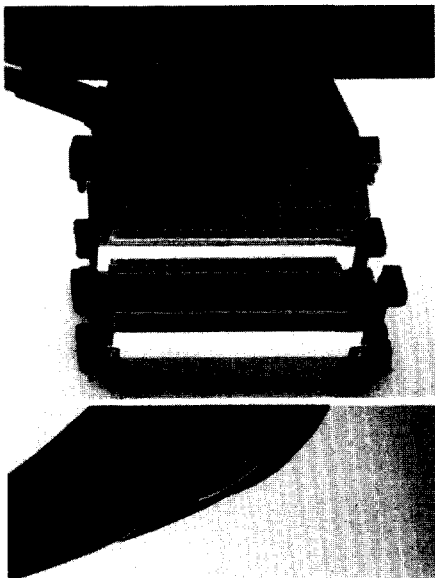
Accessories

How To Order: PI96CAP1



For Intermateability Chart see pages 77 & 78.

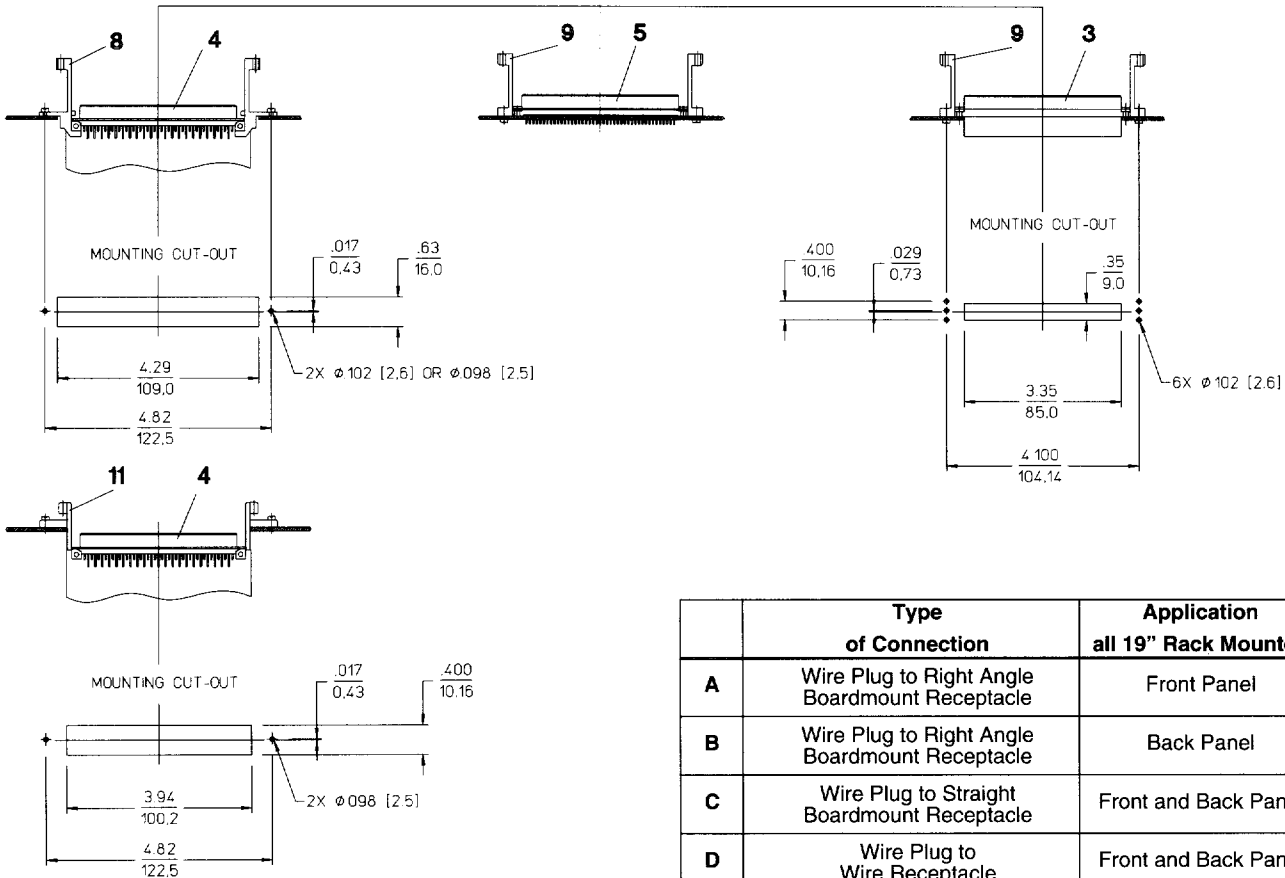
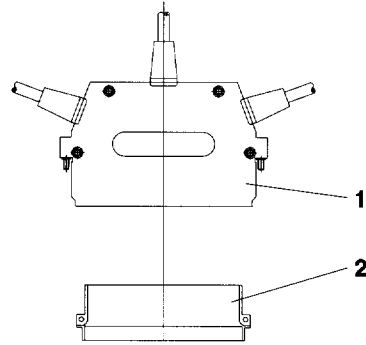
Locking Keys



TRIM TRIO Connectors

PI 43 Eurorack Connectors

Intermateability Chart



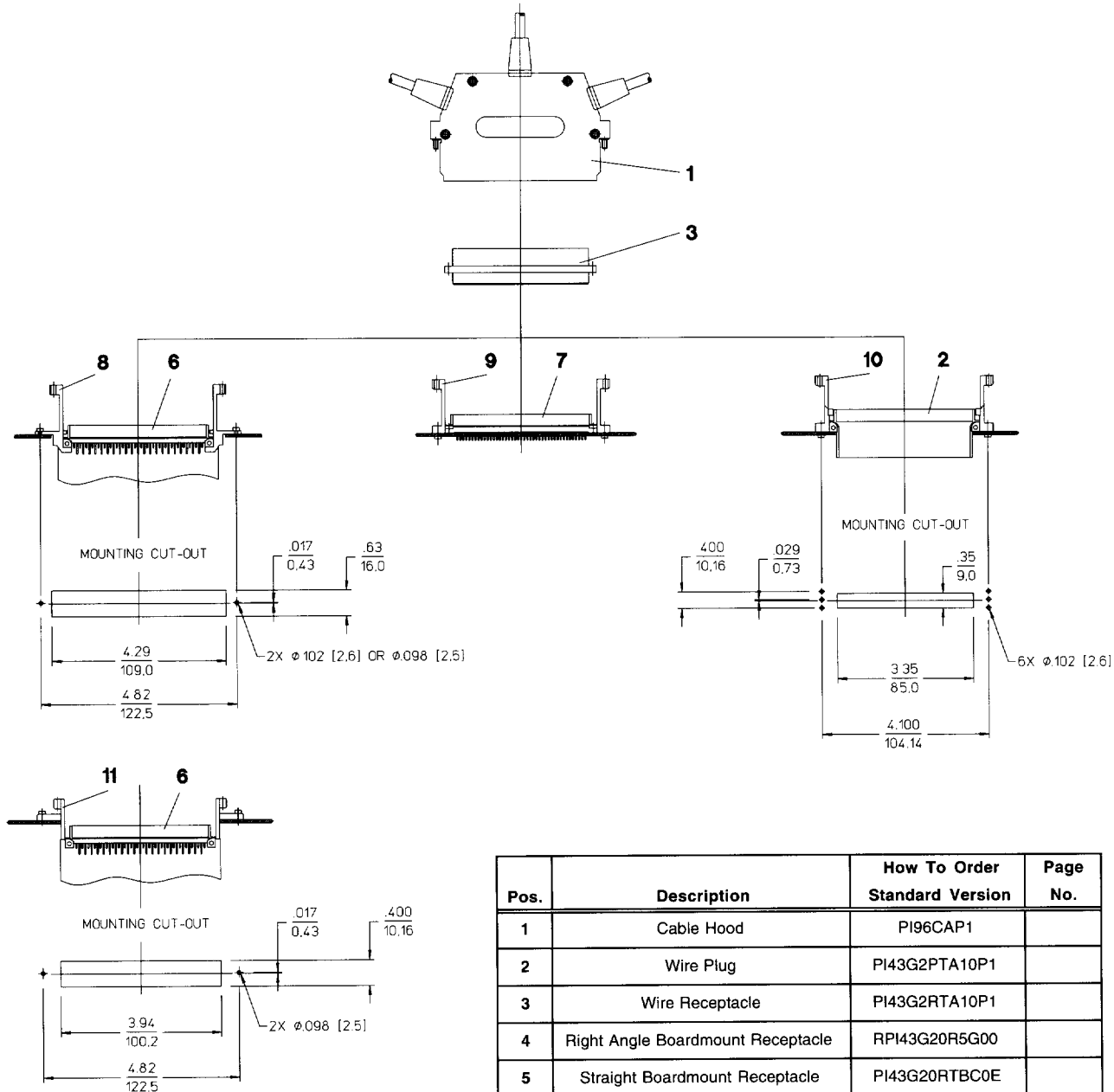
	Type of Connection	Application all 19" Rack Mounted
A	Wire Plug to Right Angle Boardmount Receptacle	Front Panel
B	Wire Plug to Right Angle Boardmount Receptacle	Back Panel
C	Wire Plug to Straight Boardmount Receptacle	Front and Back Panel
D	Wire Plug to Wire Receptacle	Front and Back Panel
E	Wire Receptacle to Right Angle Boardmount Plug	Front Panel
F	Wire Receptacle to Right Angle Boardmount Plug	Back Panel
G	Wire Receptacle to Straight Boardmount Plug	Front and Back Panel
H	Wire Receptacle to Wire Plug	Front and Back Panel

TRIM TRIO Connectors



PI 43 Eurorack Connectors

Intermateability Chart



Pos.	Description	How To Order Standard Version	Page No.
1	Cable Hood	PI96CAP1	
2	Wire Plug	PI43G2PTA10P1	
3	Wire Receptacle	PI43G2RTA10P1	
4	Right Angle Boardmount Receptacle	RPI43G20R5G00	
5	Straight Boardmount Receptacle	PI43G20RTBC0E	
6	Right Angle Boardmount Plug	PI43G20PTBF08	
7	Straight Boardmount Plug	RPI43G20P5C00	
8	Right Angle Locking Key Set One	PI96LOK90SET1	
9	Straight Locking Key Set	PI96LOK180SET	
10	Right Angle Locking Key Set Two	PI96LOK90SET2	
11	Right Angle Locking Key Set Three	PI96LOK90SET3	