

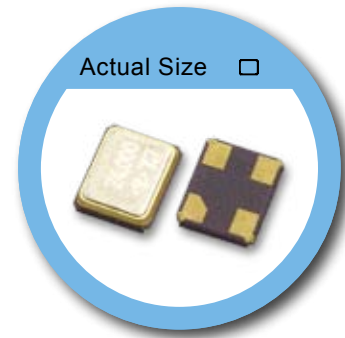
2.5 x 2.0 mm SMD Crystal – XY Type

FEATURE

- Typical 2.5 x 2.0 x 0.55 mm ultra thin ceramic package.
- 8 mm width Tape & Reel package for automatic assembly.
- Tight tolerance 10 ppm available.
- Packing: Tape & Reel, 1000/2000/3000pcs per Reel.

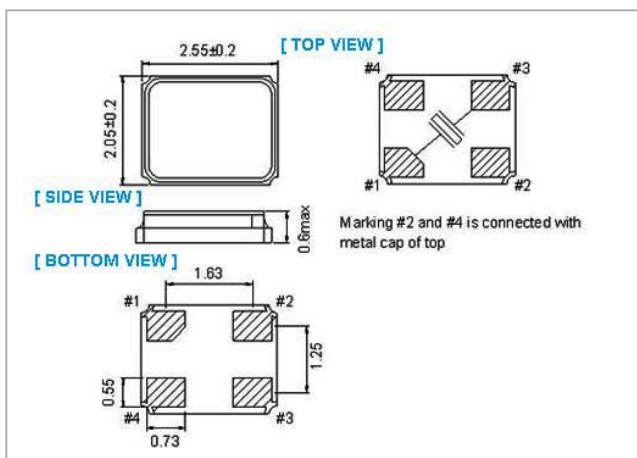
TYPICAL APPLICATION

- Bluetooth , Mobile phone, Wireless LAN.
- Office Automation
- Audio & Vedio

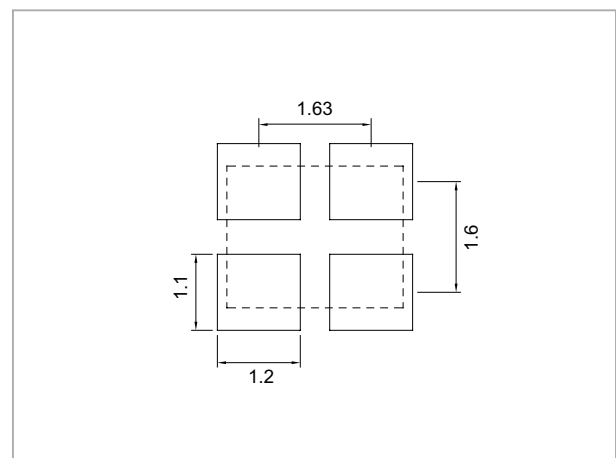


RoHS Compliant Standard

DIMENSION (mm)



SOLDER PAD LAYOUT (mm)



ELECTRICAL SPECIFICATION

Parameter	Min.	Typical	Max.	Unit
Storage Temp. Range	-55	-	125	°C
Standard Frequency		16, 24, 26		MHz
Level of Drive	-	10	100	µw
Shunt Capacitance (Co)	-	-	7.0	pF
Insulation Resistance	500 MΩ@ DC100V	-	-	
Aging		±1.0		ppm / year

Standard frequencies are frequencies which the crystal has been designed and does not imply a stock position.

EQUIVALENT SERIES RESISTANCE (E.S.R)

TYPE FREQUENCY	MODE	E.S.R
16 MHz ≤ Freq. < 20 MHz	A1	100Ω
20 MHz ≤ Freq. ≤ 30 MHz	A1	80Ω
30 MHz < Freq. ≤ 54 MHz	A1	60Ω

FREQ. STABILITY vs. TEMP. RANGE

Temp. (°C)	ppm	ppm		
		±5	±10	±15
-10 ~ +60		△	○	○
-20 ~ +70		×	△	○
-40 ~ +85		×	×	○

* ○: Standard △: Available (case by case) X: Not available